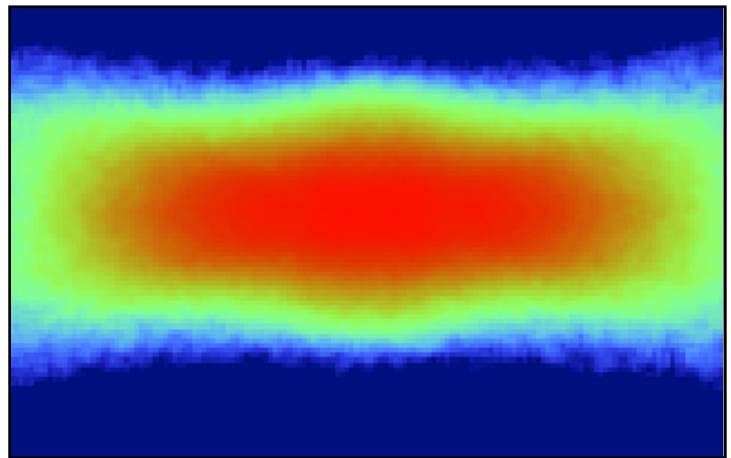
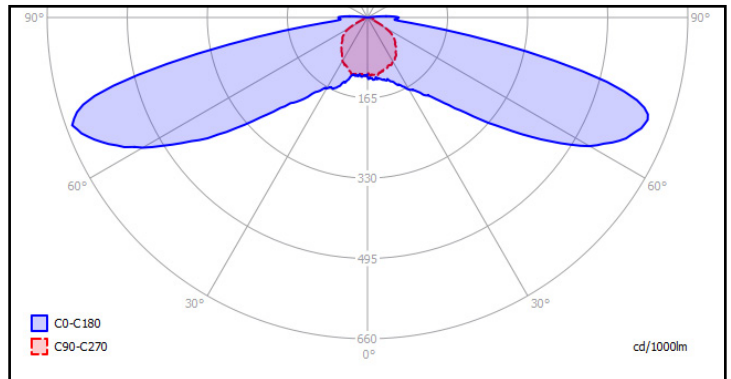


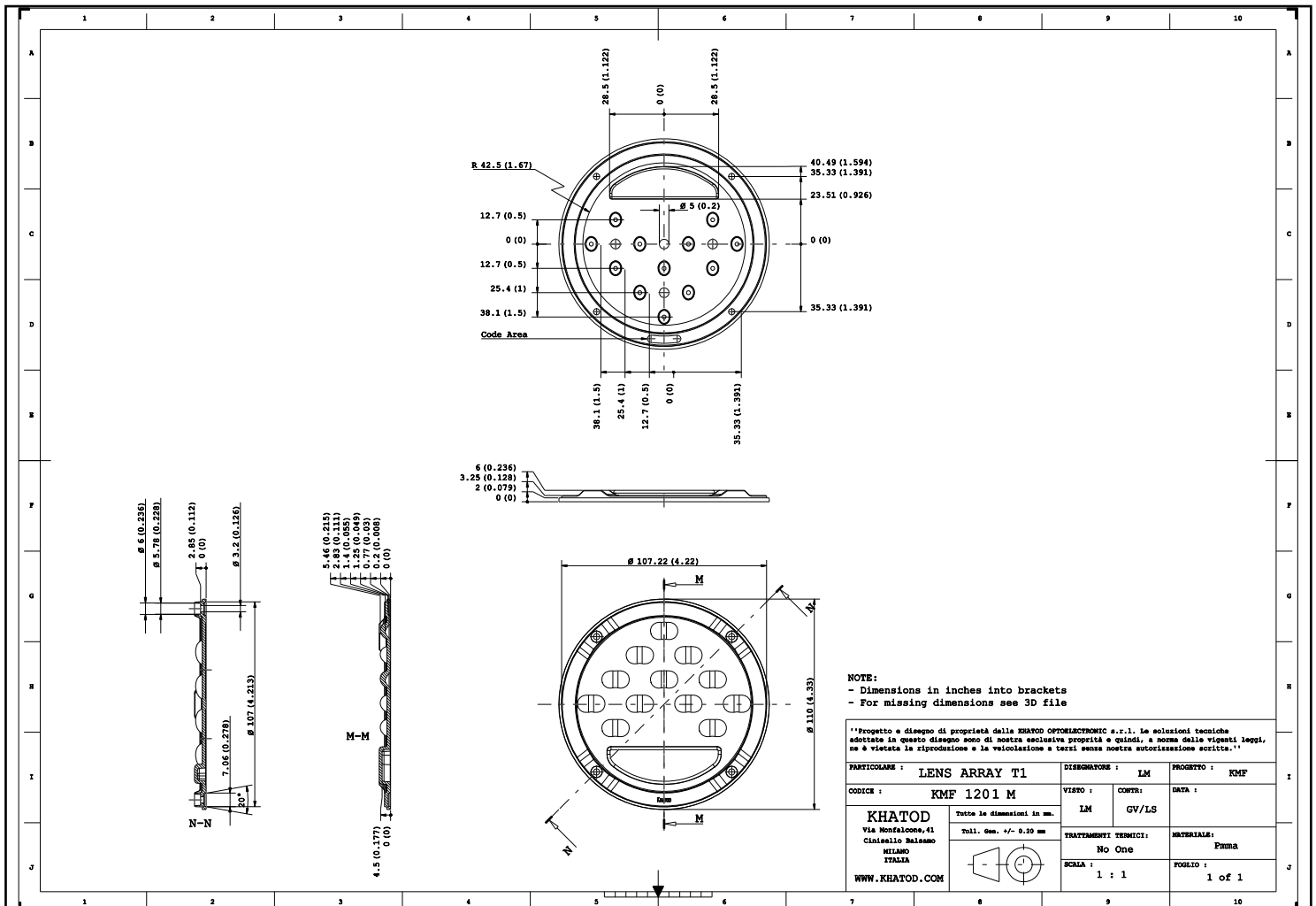
Contents

1	KMF1201M	IESNA Type I	Pag. 2
2	KMF1202M	IESNA Type II	Pag. 3
3	KMF1203M	IESNA Type III	Pag. 4
4	KMF1205M	IESNA Type V	Pag. 5
5	KMF12M3A	ME3A - IESNA Type II	Pag. 6
6	KMF1260A	60° Rotosymmetrical	Pag. 7
7	KMF1290A	90° Rotosymmetrical	Pag. 8
8	KMF12SQA	Square 120°	Pag. 9
9	KMF12xxx LAYOUT		Pag. 10
10	Materials / Use and Maintenance / Disclaimer		Pag. 11

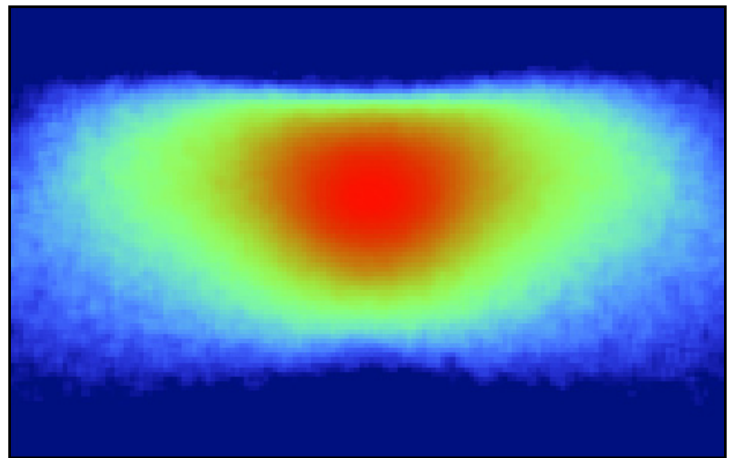
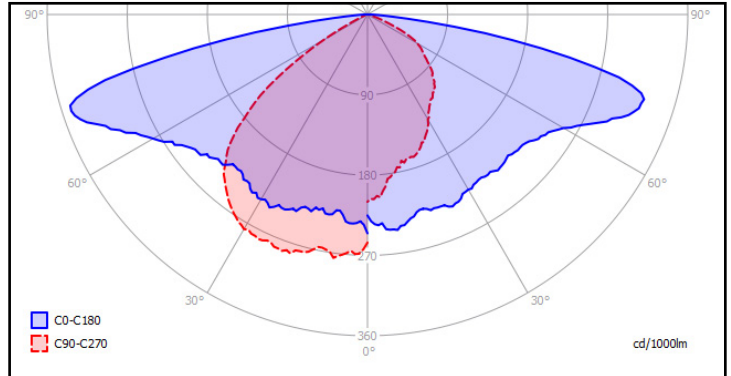
KMF1201M - IESNA TYPE I



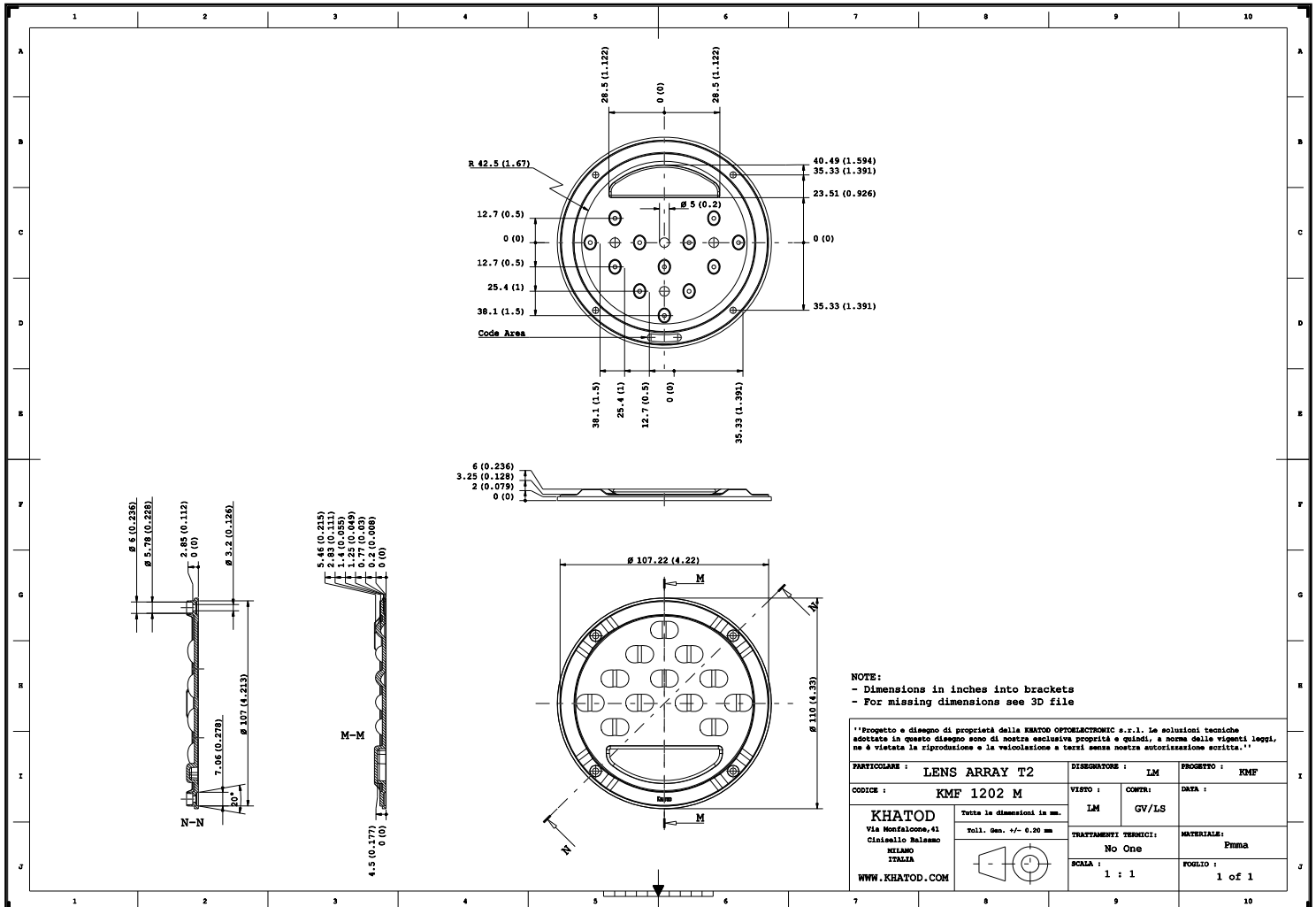
- Material = PMMA
- Full angle at 50% from maximum: ~ 155°x110°
- Full angle at 10% from maximum: ~ 175°x145°
- The light spots here represented refer to tests carried out with LEDs with 3mm dome, ~120lm



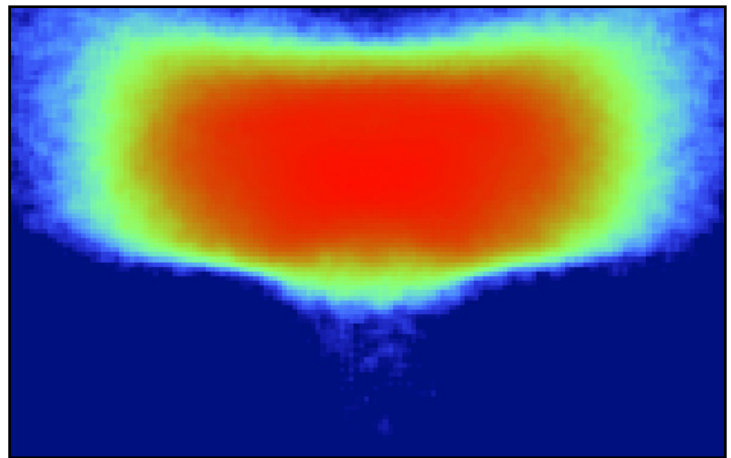
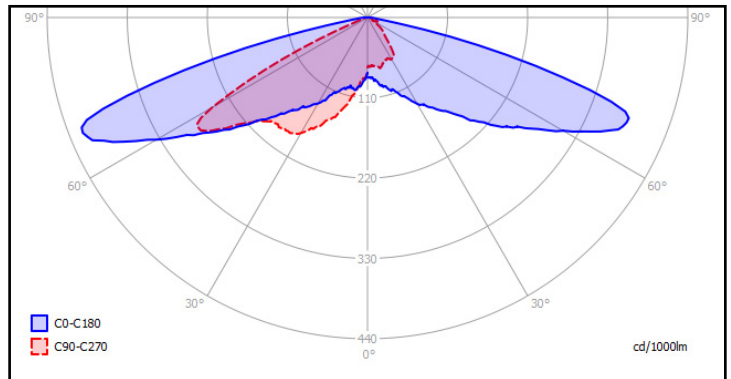
KMF1202M - IESNA TYPE II



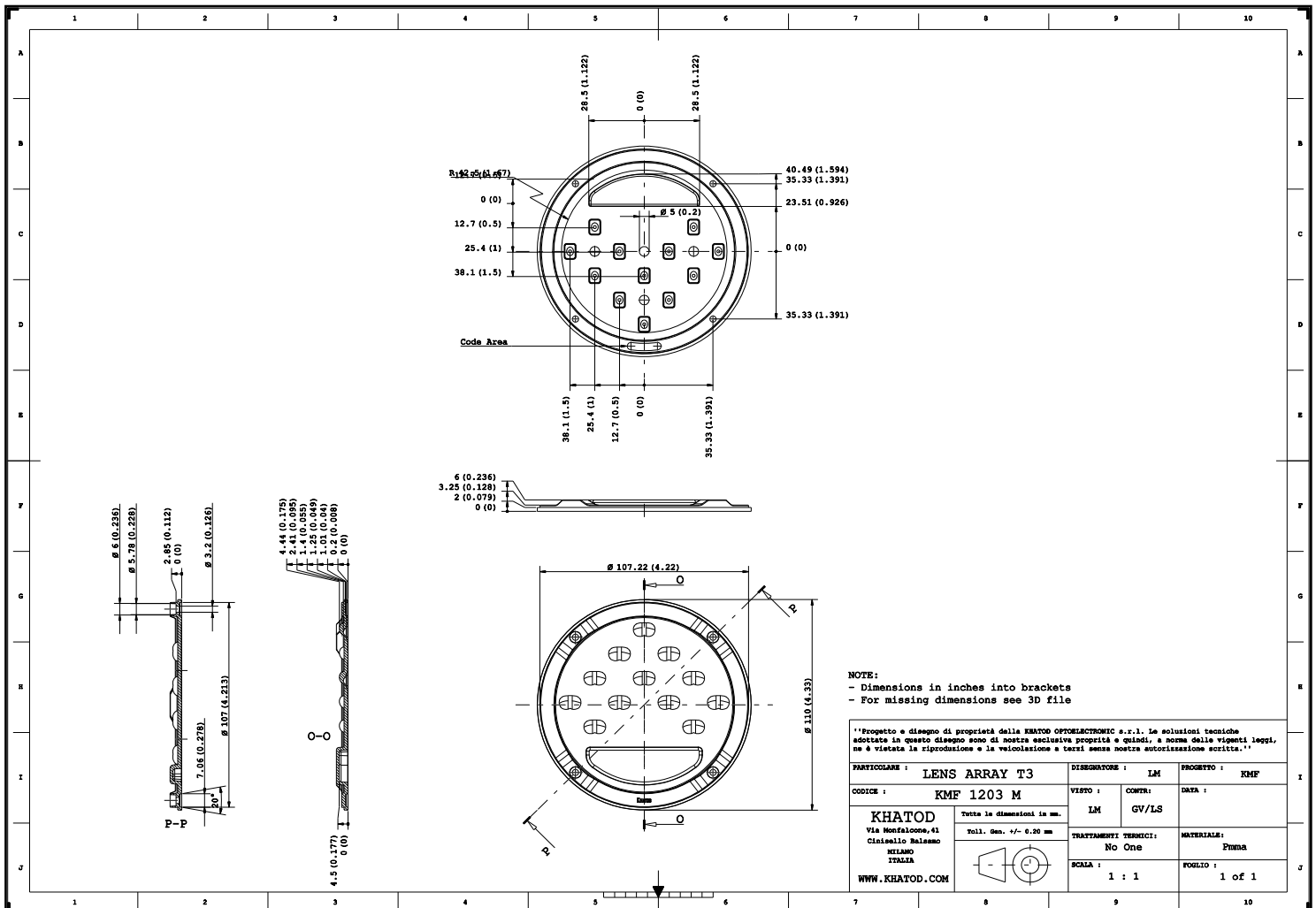
- Material = PMMA
- Full angle at 50% from maximum: ~ 160°x100°
- Full angle at 10% from maximum: ~ 170°x130°
- The light spots here represented refer to tests carried out with LEDs with 3mm dome, ~120lm



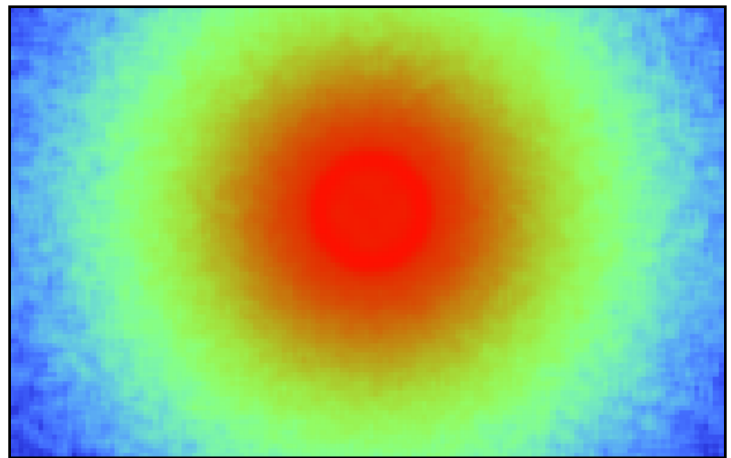
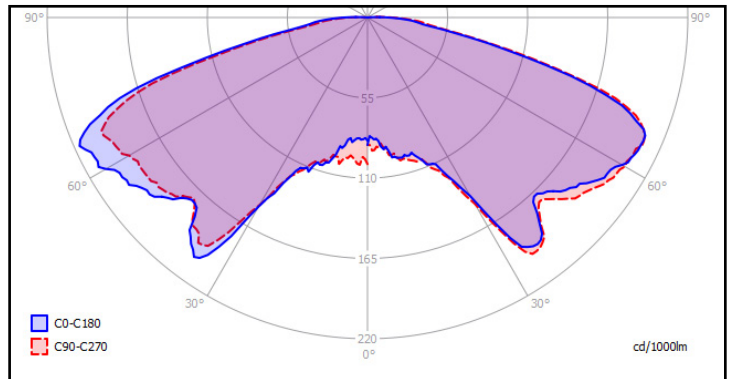
KMF1203M - IESNA TYPE III



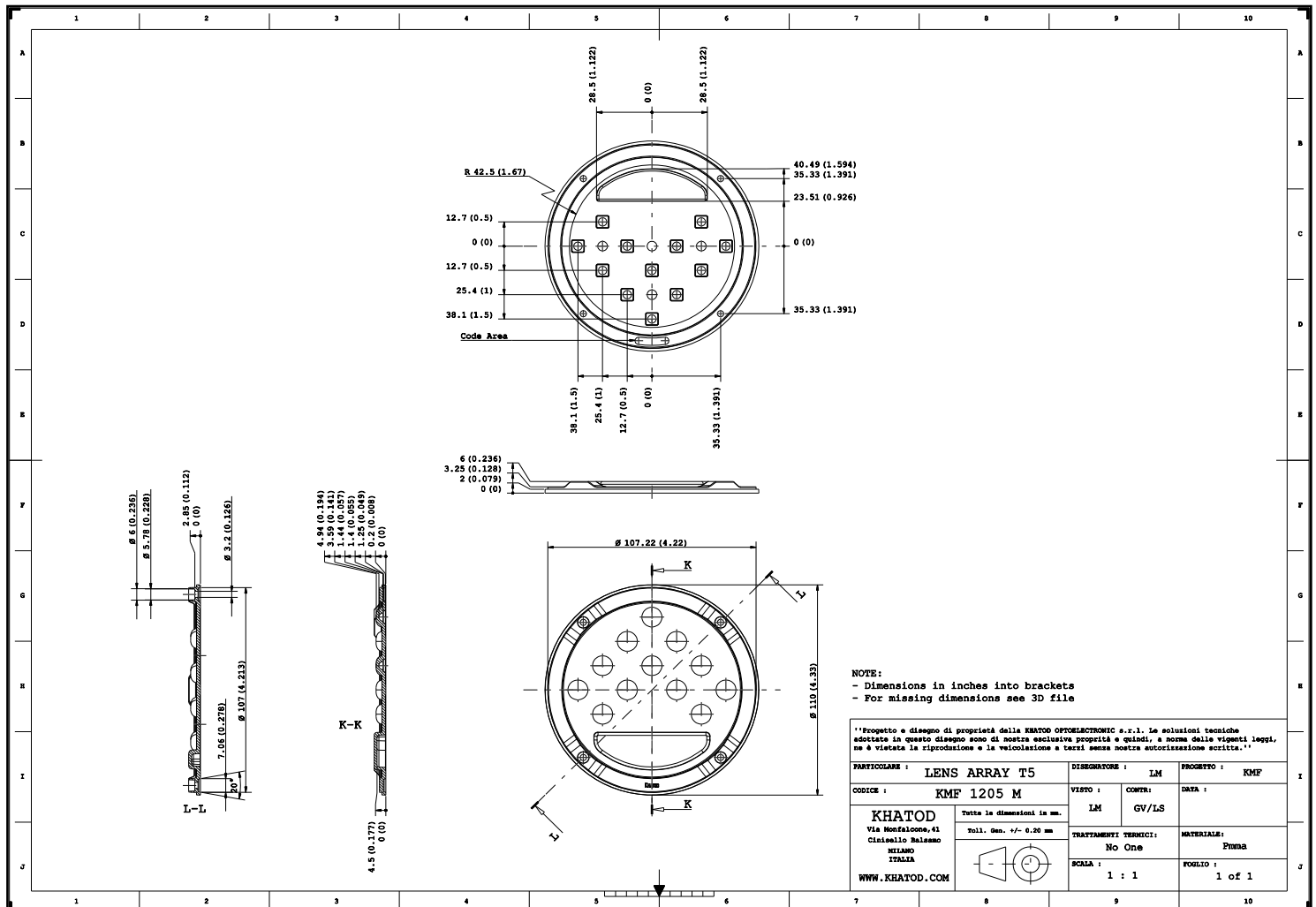
- Material = PMMA
- Full angle at 50% from maximum: ~ 150°x105°
- Full angle at 10% from maximum: ~ 160°x145°
- The light spots here represented refer to tests carried out with LEDs with 3mm dome, ~120lm



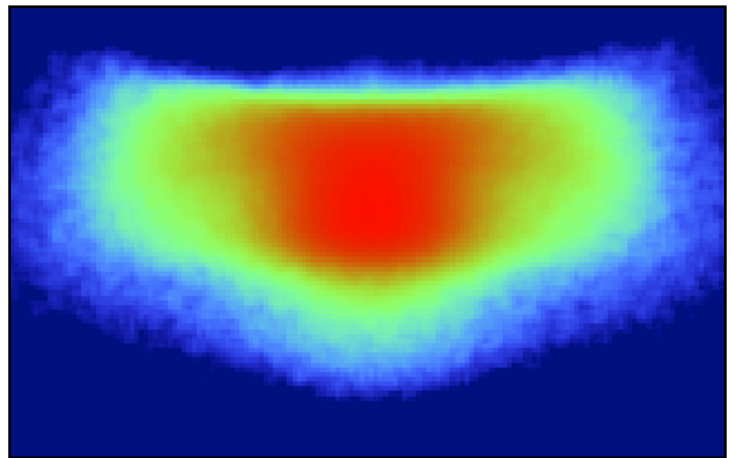
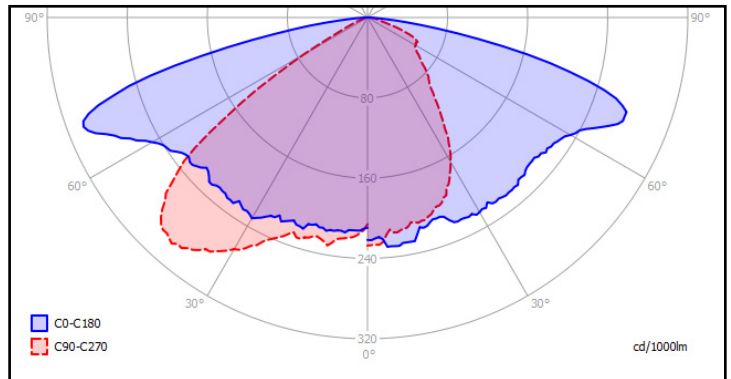
KMF1205M - IESNA TYPE V



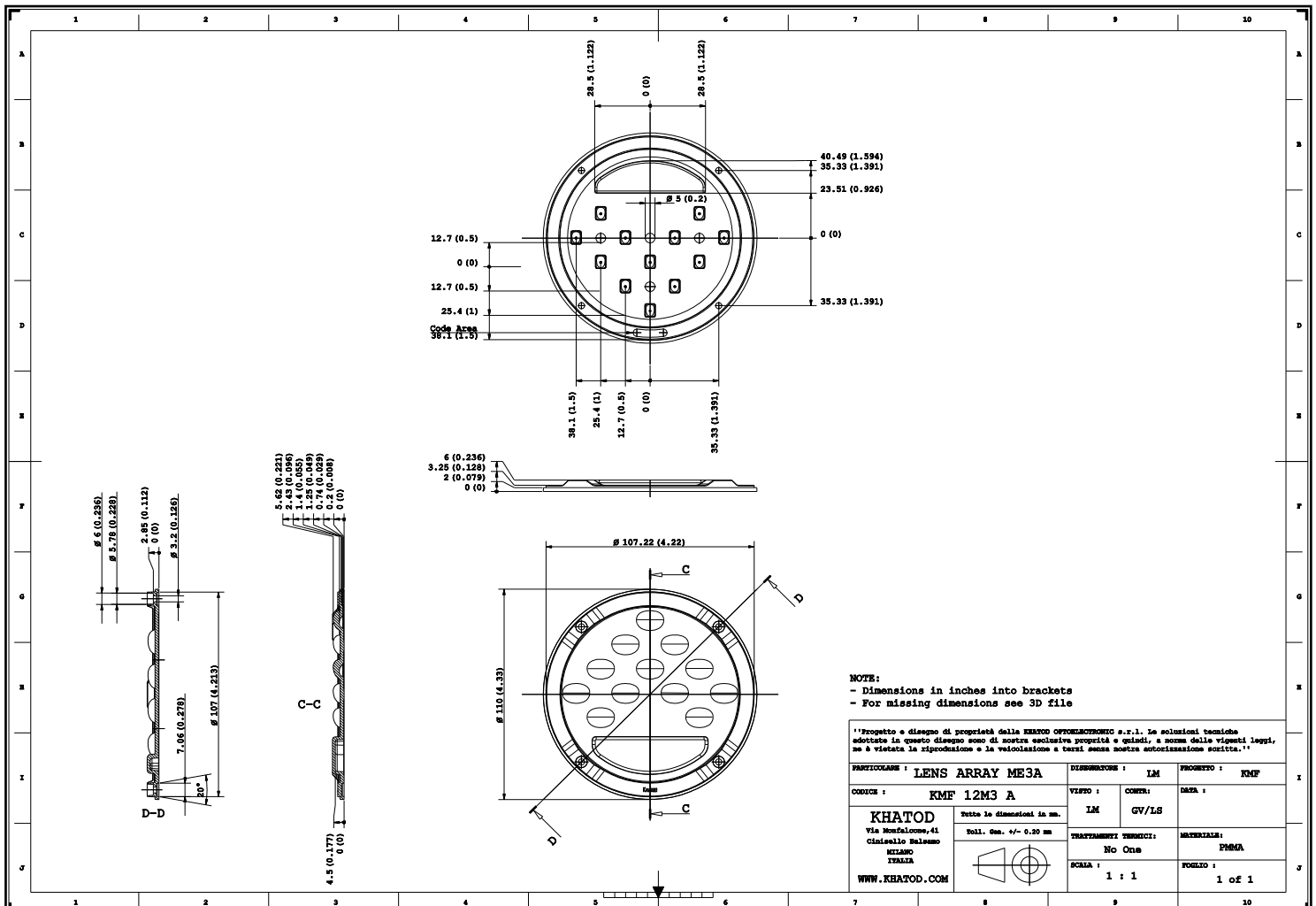
- Material = PMMA
- Full angle at 50% from maximum: ~ 155°
- Full angle at 10% from maximum: ~ 180°
- The light spots here represented refer to tests carried out with LEDs with 3mm dome, ~120lm



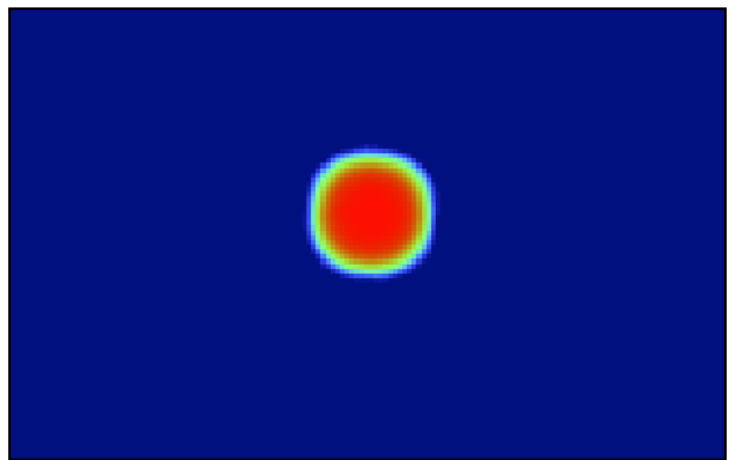
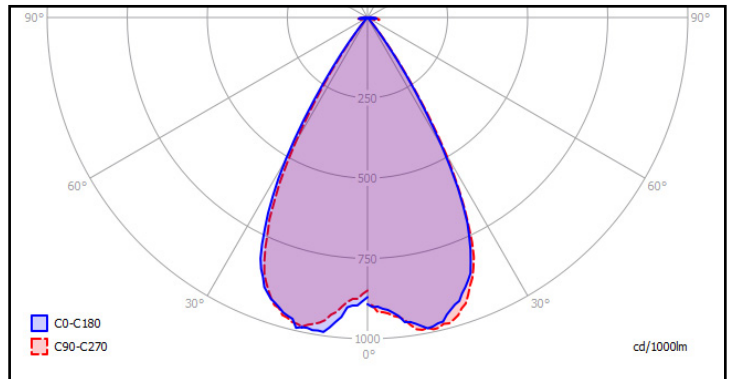
KMF12M3A - ME3A - IESNA TYPE II



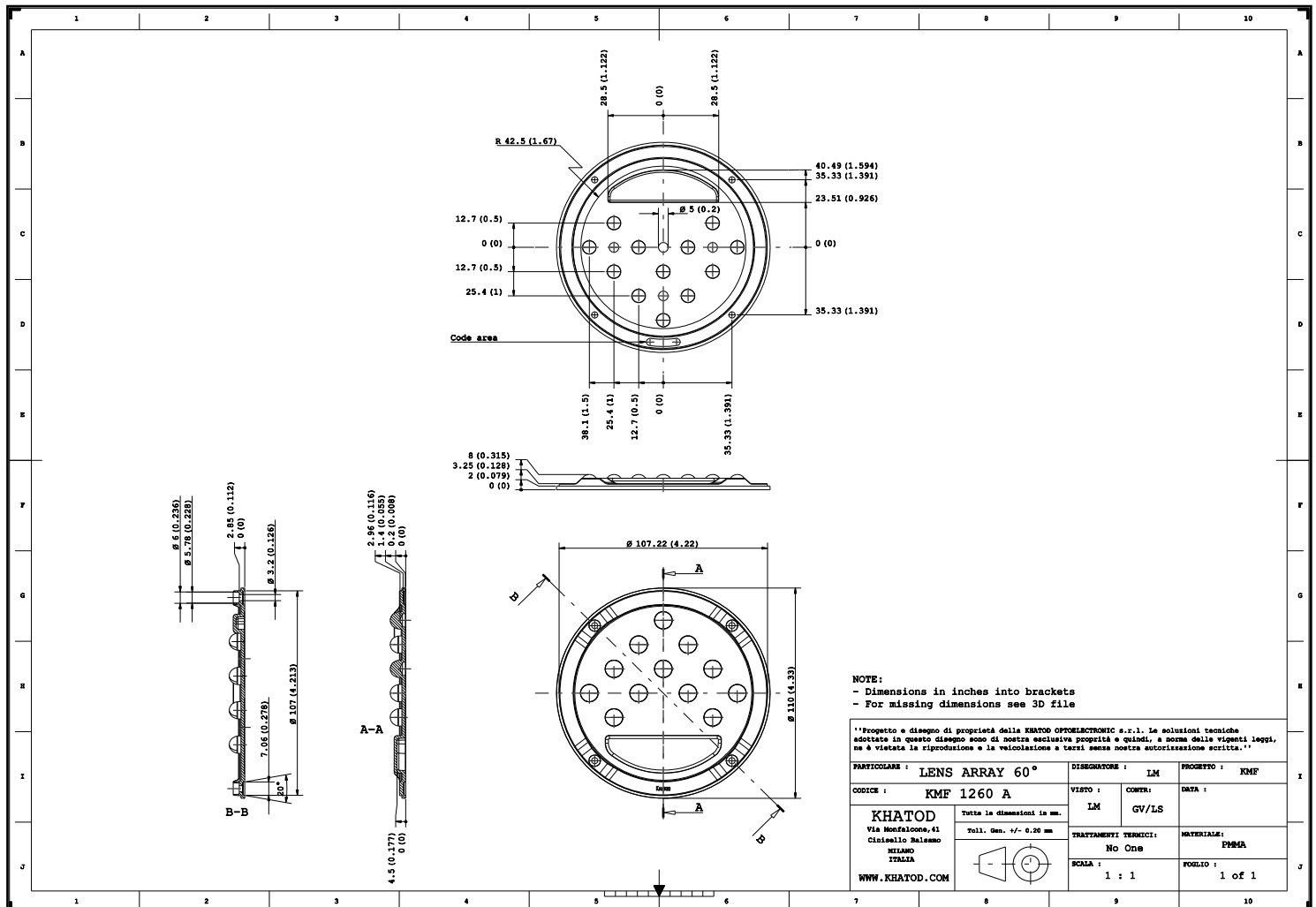
- Material = PMMA
- Full angle at 50% from maximum: ~ 155°x95°
- Full angle at 10% from maximum: ~ 170°x135°
- The light spots here represented refer to tests carried out with LEDs with 3mm dome, ~120lm



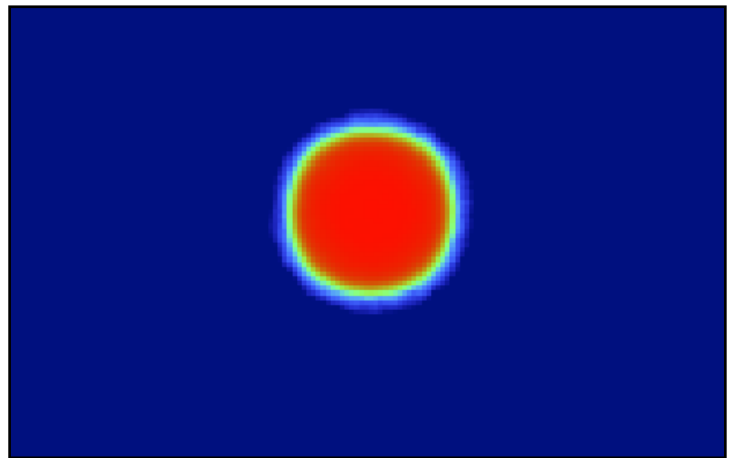
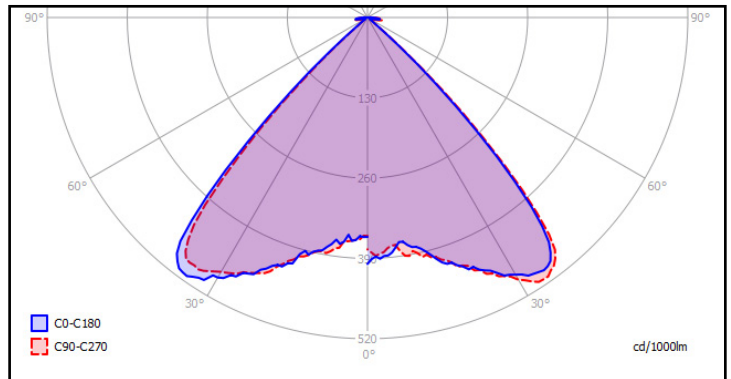
KMF1260A - 60° Symmetrical



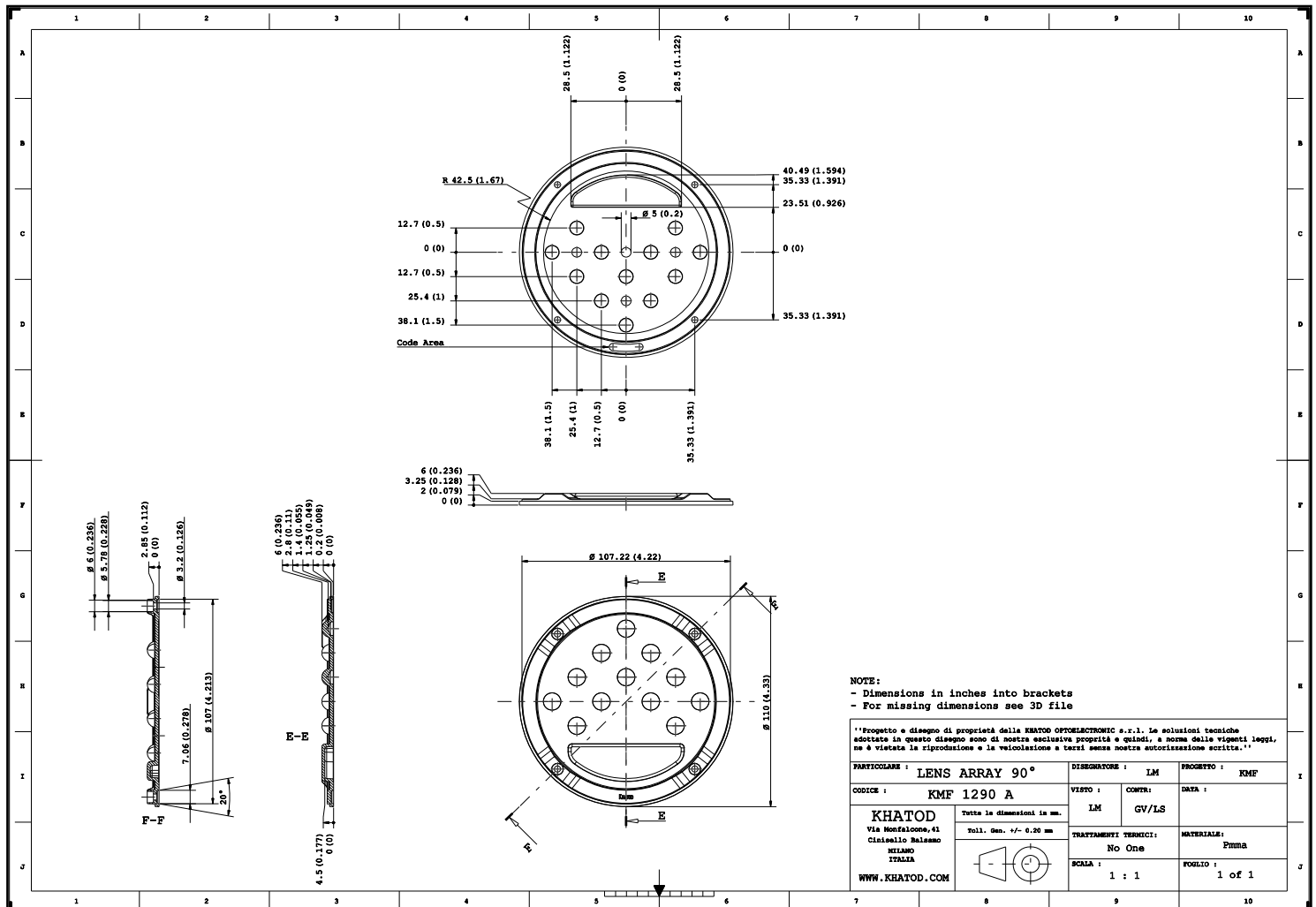
- Material = PMMA
- Full angle at 50% from maximum: ~ 60°
- Full angle at 10% from maximum: ~ 75°
- The light spots here represented refer to tests carried out with LEDs with 3mm dome, ~120lm



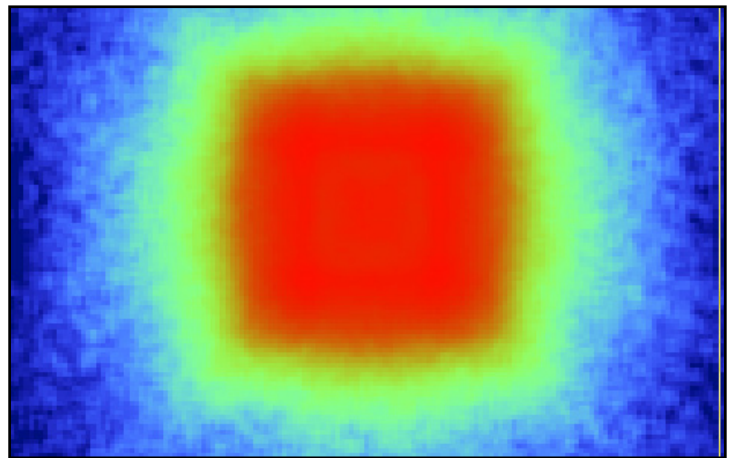
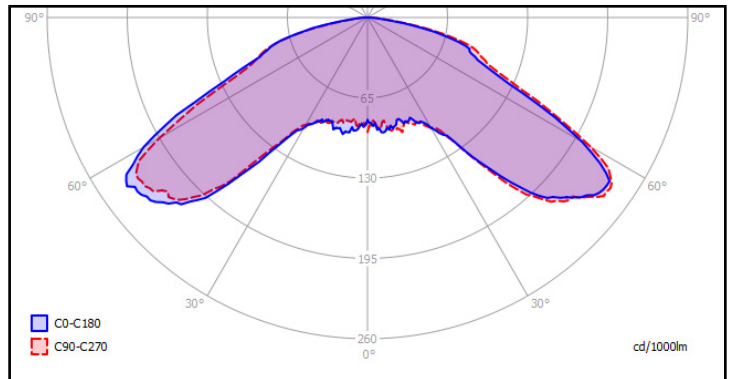
KMF1290A - 90° Symmetrical



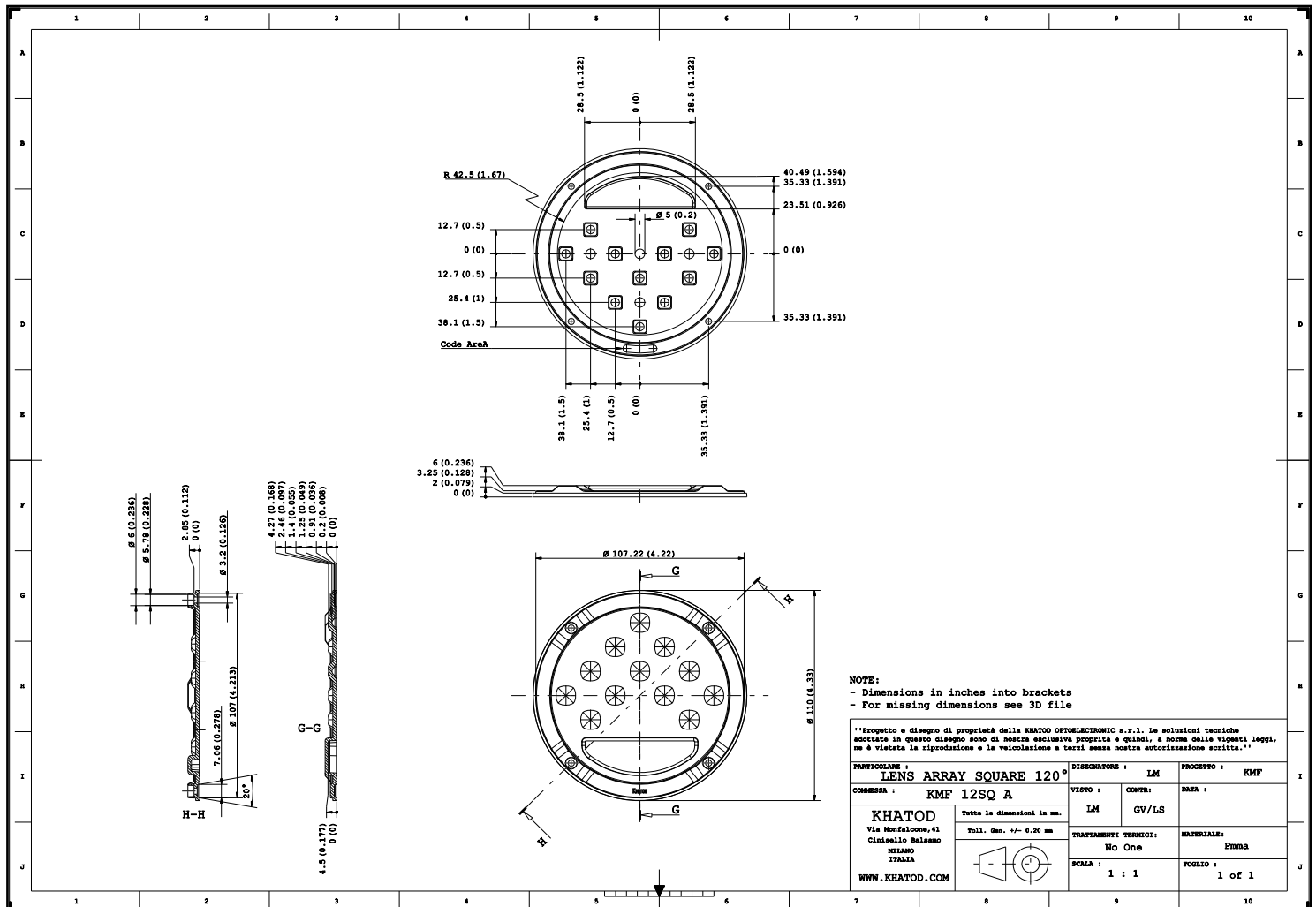
- Material = PMMA
- Full angle at 50% from maximum: ~ 90°
- Full angle at 10% from maximum: ~ 97°
- The light spots here represented refer to tests carried out with LEDs with 3mm dome, ~120lm



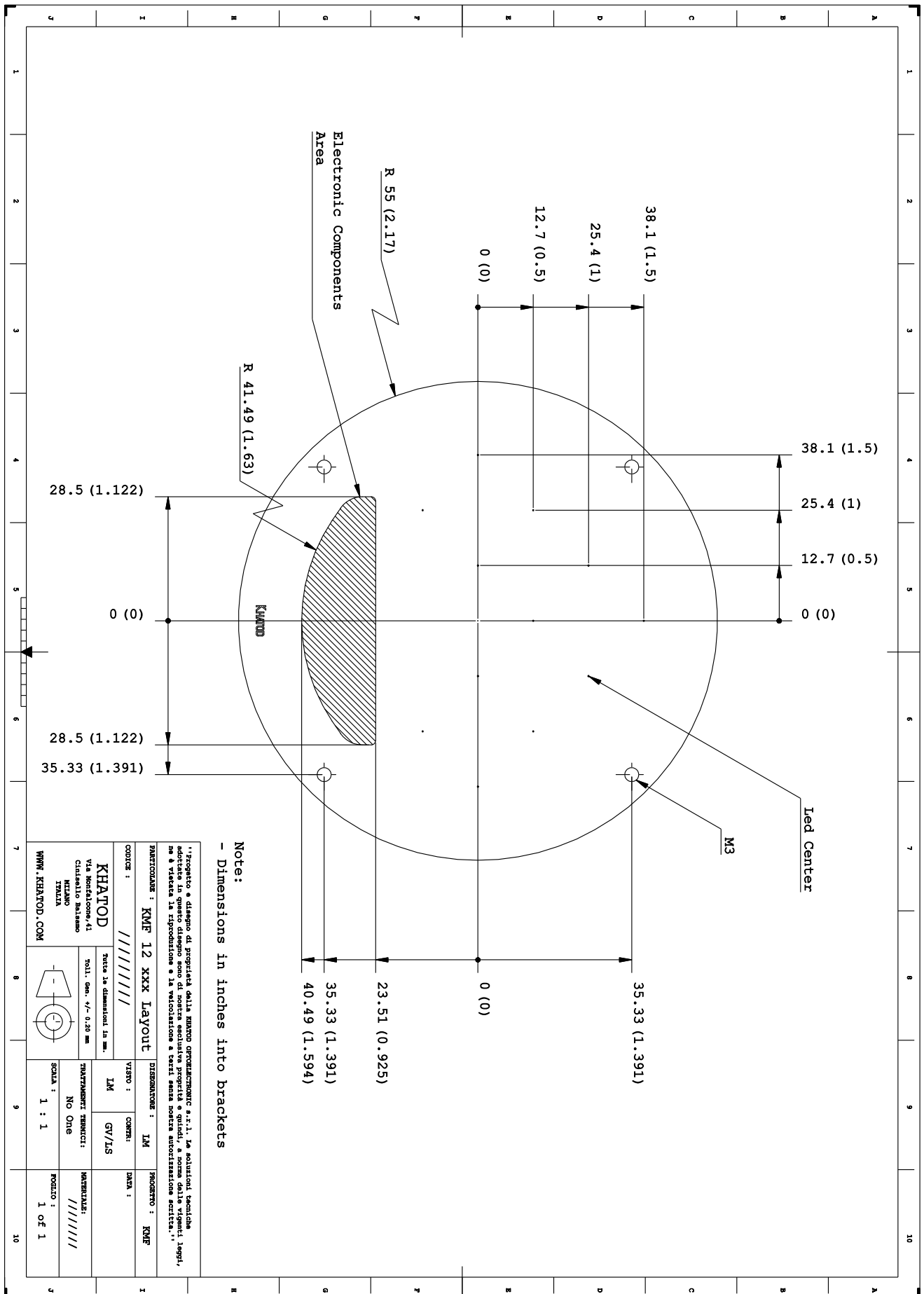
KMF12SQA - 120° Square



- Material = PMMA
- Full angle at 50% from maximum: ~ 135°
- Full angle at 10% from maximum: ~ 165°
- The light spots here represented refer to tests carried out with LEDs with 3mm dome, ~120lm



KMF12xxx - LAYOUT



Note:
- Dimensions in inches into brackets

Progetto e disegno di proprietà della KHATOD OPTOELECTRONIC s.r.l. Le soluzioni tecniche adottate in questo disegno sono di nostra esclusiva proprietà e quindi, a norma delle vigenti leggi, ne è vietata la riproduzione e la veicolazione a terzi senza nostra autorizzazione scritta.

PRODOTTORE : KHATOD Via Morfalcone, 41 Cittadello Balzano TREVISO ITALIA WWW.KHATOD.COM		DISEGNATORE : LM PROGETTO : KMF	
CODICE : KMF 12 xxx Layout		VERSIONI : LM COMPLI : GY/LS	
tutte le dimensioni in mm. toll. gen. +/- 0.20 mm		TRATTAMENTI TERMICI : NO ONE	
SCALA : 1 : 1		MATERIE PLASTICHE : //	
		FOGLIO : 1 OF 1	

Materials

Material	Top	Tstg
PMMA	-40°...85°C	-40°...85°C

Notes:

- Intensity (I) and illuminance (E) data are normalized by 1000 lm
- The optical values shown are the result of optical simulations carried out with ASAP and ZEMAX software systems. The optical simulations are carried out on the basis of the typical values provided in the LED manufacturers' official datasheets. The photometric analysis has been carried out on physical samples. On request, by supplying your PCB, we can provide the measurement photometric file.

Use and Maintenance

- DO NOT HANDLE OR INSTALL LENSES WITHOUT WEARING GLOVES, SKIN OILS MAY DAMAGE LENS OR LIGHT TRANSMISSION;
- CLEAN LENSES WITH MILD SOAP AND WATER AND A SOFT CLOTH;
- DO NOT USE ANY COMMERCIAL CLEANING SOLVENTS ON LENSES.

Disclaimer

Please note that flow lines and weld lines on the external surfaces of the lenses are acceptable if the optical performance of the lens is within the specifications.

Should you require further information, please contact Khatod for advice. All lens testing must be subject to identical conditions as Khatod test condition. Khatod Optoelectronic, Milan, Italy, manufactures lenses for LEDs. Any other use of the lens shall void our liability and warranty. The lenses are an inert component to be used in the manufacture of various products. Our warranty and liability are limited only to the manufacture of the lens. You may not modify, copy, distribute reproduce, license or alter the lens and related materials of Khatod. Khatod does not warrant against damages or defects arising out of the use or misuse of the products; against defects or damage arising from improper installation, or against defects in the product or in its components. No warranty of any kind, expressed or implied, is made regarding the safety of the products. The entire risk as to the quality or performance of the product is with the buyer. In no event shall Khatod be liable for any direct, indirect, punitive, incidental, special, consequential damages, or any damages whatsoever arising out of or connected with the use or misuse of the product. Khatod shall not have any obligation with respect to the product or any part thereof, whether based on contract, tort, strict liability or otherwise. Buyer assumes all risks and liability from use of the product. The laws of Milan, Italy govern this product warranty and liability and you hereby consent to the exclusive jurisdiction and venue of courts in Milan, Italy in all disputes arising out of or relating to the use of this product. Production, marketing, distribution, sale of these products as well as their possible modifications and variations are only exclusive right of Khatod Optoelectronic. No company can perform any of these actions without written permission released by Khatod Optoelectronic. The information contained in this document is proprietary of Khatod Optoelectronic and may change without notice.

REPRODUCTION PROHIBITED.