

### FEATURES:

- These SMB (Subminiature “B”) connectors snap together for quick assembly
- Connector meets interface requirements of MIL-C-39012

### MATERIALS:

Body and Fittings – Brass per QQ-B-626, Alloy 360, ½ Hard

Center Contact – Brass per QQ-B-626, Alloy 360, ½ Hard

Dielectric – PTFE

Finish:

Body and Fittings – Tarnish resistant

Center Contact – Gold plated per requirements of MIL-C-39012

Marking: “POMONA 5379” located approximately as shown

### RATINGS:

Operating Temperature: -65°C (-85°F) to +165°C (+329°F)

Impedance: 50 Ohms

Frequency Range: DC to 4GHz

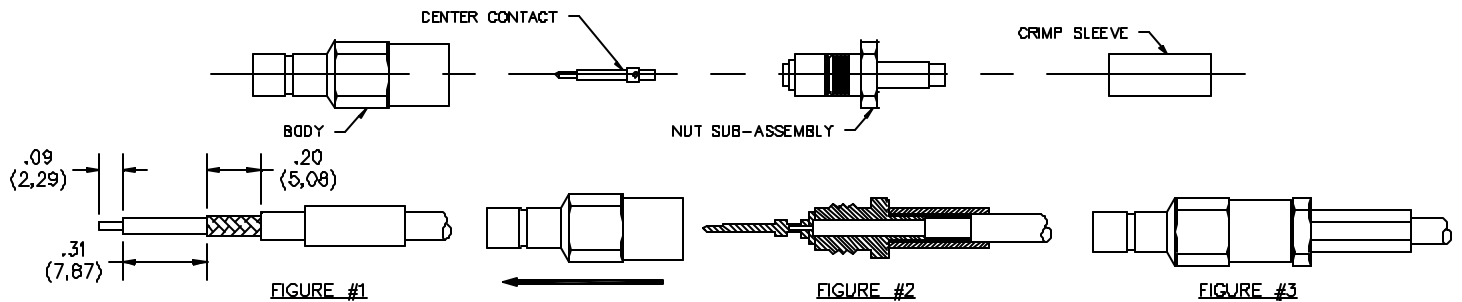
All dimensions are in inches. Tolerances (except noted): .xx = ±.02” (.51 mm), .xxx = ± .005” (.127 mm).

All specifications are to the latest revisions. Specifications are subject to change without notice.

Registered trademarks are the property of their respective companies.

Made in USA

### ORDERING INFORMATION: Model 5379



#### FIGURE #1

- Slide crimp sleeve over cable.
- Strip cable to dimensions shown.

#### FIGURE #2

- Slightly rotate dielectric of cable to free braid, install nut sub-assembly onto cable. Slit cable jacket if necessary.
- Push crimp sleeve against nut sub-assembly and crimp (.128 Hex).
- Solder contact to center conductor.
- Thread nut sub-assembly onto body, tighten securely

#### FIGURE #3

- Completed assembly shown.

All dimensions are in inches. Tolerances (except noted): .xx = ±.02" (.51 mm), .xxx = ±.005" (.127 mm).  
All specifications are to the latest revisions. Specifications are subject to change without notice.  
Registered trademarks are the property of their respective companies.

Made in USA