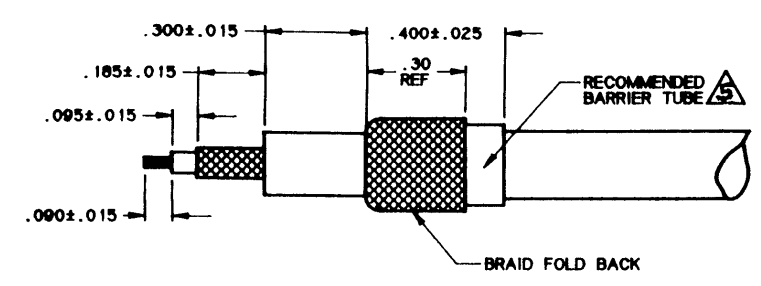
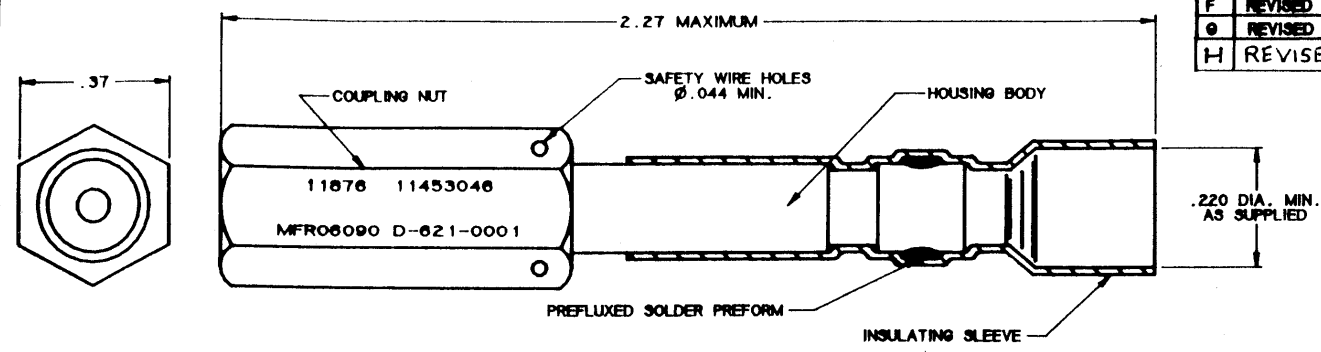
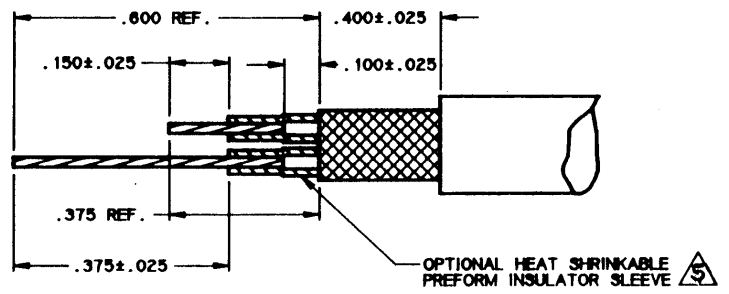


REVISIONS			
LTR	DESCRIPTION	DATE	APPROVED
F	REVISED PER ECN T-9145	871210	Z.T.
G	REVISED PER ECN T-11482	890123	M. H. [Signature]
H	REVISED PER ECN # T-20028	95/4/19	[Signature]



TRIAx STRIP
(RAYTHEON #10270730)



TWINAX STRIP (6)
(RAYTHEON MIS-20064/1-001)

NOTES:

1. PART DESCRIPTION: CONNECTOR, PLUG SUBMINIATURE, TRIAXIAL (RAYTHEON # 11453046) COMPLETE WITH PREFLUXED SOLDER PREFORM RING AND HEAT SHRINKABLE SLEEVE.

MATERIAL:

- HOUSING BODY: BRASS ALLOY PER ASTM B16 (QQ-B-626)
- COUPLING NUT: STAINLESS STEEL, TYPE 303 PER ASTM A582.
- INSULATING SLEEVE: HEAT SHRINKABLE, POLYVINYLIDENE FLUORIDE (TRANSPARENT BLUE)
- SOLDER RING: PREFLUXED SOLDER PREFORM. COMPOSITION Sn63, FLUX TYPE RMA, PER QQ-3-571.
- INSULATOR: THERMOPLASTIC PER LP 392.

FINISH:

- HOUSING BODY: TIN PLATED PER MIL-T-10727
- COUPLING NUT: PASSIVATED PER QQ-P-35B.

2. HOUSING ACCOMMODATION: HOUSING DESIGNED TO ACCEPT SHIELDED CONTACTS MIS-20067/1 THRU MIS-20067/4 SHIELDED, RAYCHEM SOLDERCONTACT D-602-44/45 AND D-602-54/55.

3. WIRE SIZE: HOUSING WILL TERMINATE OUTER SHIELD OF TRIAX/TWINAX CABLE HAVING A SHIELD DIA. OF .185 MAX.

4. MATING CONNECTORS: THIS CONNECTOR WILL MATE WITH D-621-0002 (RAYTHEON # 11453047) AND D-621-0003 (RAYTHEON # 11453046) CONNECTOR, JACK, TRIAXIAL, BULKHEAD.

(5) ITEMS SUPPLIED AS PART OF CONNECTOR ASSEMBLY.

(6) RECOMMENDED TWINAX STRIPPING TOOL AD-1479 OR AD-1496.

(7) SEE PROCEDURE ES 61124 FOR TERMINATION INFORMATION.

If this document is printed it becomes uncontrolled.
Check with the web for latest revision.

ACCESSORIES (5) (7)	
CTA-0012	BARRIER TUBE
CTA-0013	PREFORM INSULATOR SLEEVES (2)
D-600-0024	STRAIN RELIEF

SPECIFICATION CONTROL DRAWING © Raychem Corporation 1988

UNLESS OTHERWISE SPECIFIED DIMENSIONS ARE IN INCHES. METRIC DIMENSIONS ARE IN BRACKETS.	DRAWN	CRN	76 10 18		RAYCHEM CORPORATION 380 CONSTITUTION DRIVE MILRO PARK, CALIFORNIA 94025
	CHECKED	R. YATES	76 10 20		
	APPROVED	R. YATES	76 10 20		
	APPROVED				
DECIMALS	.XXX ± .005 [mm]			TITLE	
	.XX ± .01 [mm]			CONNECTOR, PLUG SUBMINIATURE, TRIAXIAL	
ANGLES	.X ±			SIZE: A QDCS IDENT. NO.: 06090 DWG. NO.: D-621-0001 REV: H	
WEIGHT	lbs [g]			DO NOT SCALE THIS DRAWING	

D-621-0001