

MICRO SWITCH

FREERPORT ILLINOIS, U.S.A.
A DIVISION OF HONEYWELL INC.
FED. MFG. CODE 91929

SWITCH - BASIC

CATALOG LISTING

V3L-1088

CQ-L9960

S

V3L-1088

PAGE 1 OF 1

REPLACES X91122-V3L

RELEASE NO. PR-17532

M

DRAWING NUMBER

X 5

ISSUE

CHECK

REVISIONS

A	CO-89205	SAB	3 JAN 91
B	CO-76446	DCS	2 FEB 94
C	CO-77116	DCS	31 MAR 94
D	CO-93311	TSM	19 OCT 98

CHECK

CHECK

21 JUL 89

WJM

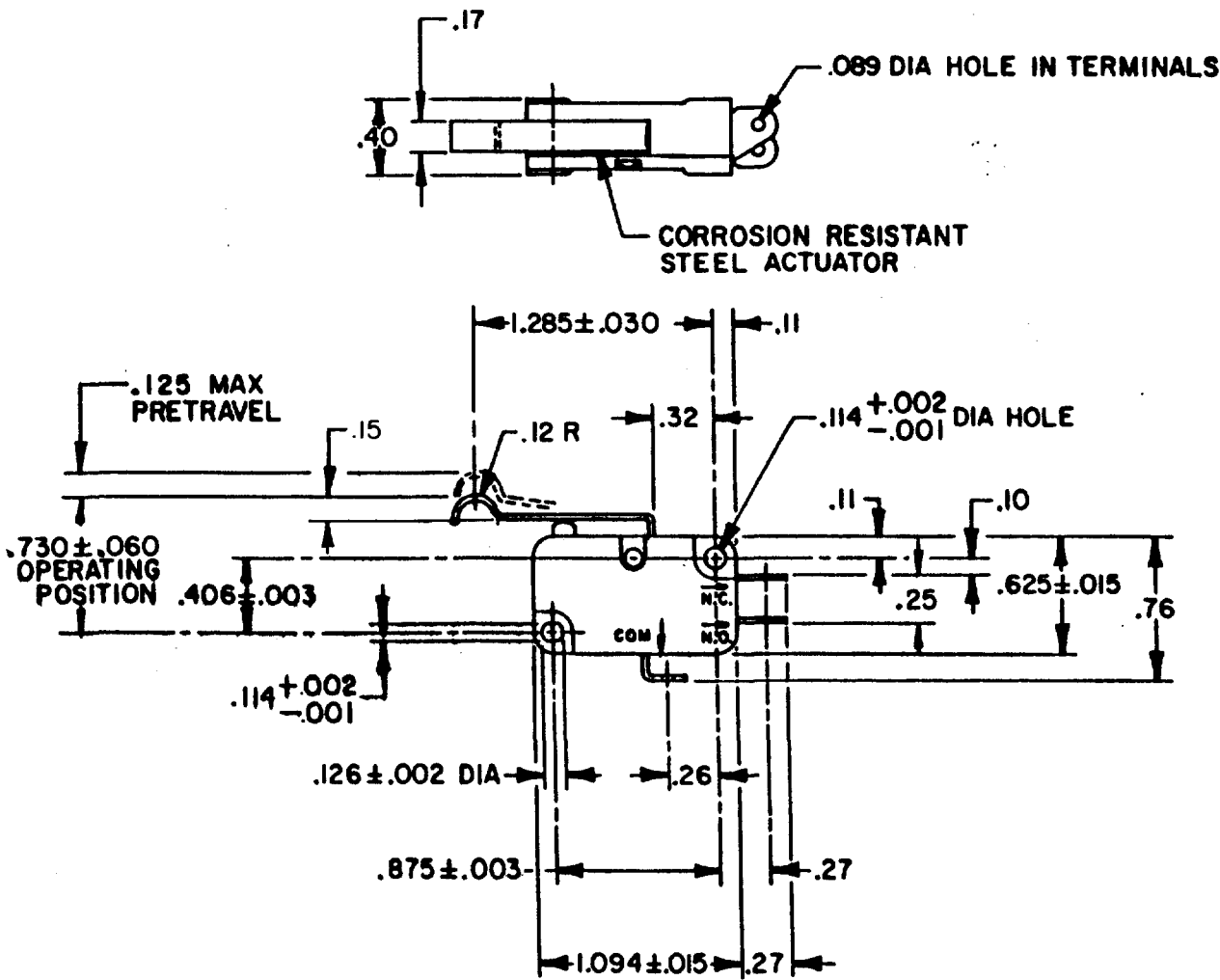
CHECK

89

WJM

FORMTEK

DRAWN

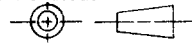


NOTES

- 1 - IN INSPECTION, DO NOT BURN OUT - GOLD CONTACTS
- 2 - IN INSPECTION, DO NOT EXCEED 10 VDC, .1A RESISTIVE LOAD

THIS DRAWING COVERS A PROPRIETARY ITEM AND IS THE PROPERTY OF MICRO SWITCH, A DIVISION OF HONEYWELL. THIS DRAWING IS NOT TO BE COPIED OR USED WITHOUT THE APPROVAL OF MICRO SWITCH.

THIRD ANGLE PROJECTION



CHARACTERISTICS

OPERATING FORCE ----- 8 OZ MAX
RELEASE FORCE ----- 1 OZ MIN
RELEASE TRAVEL ----- .012 MIN
DIFFERENTIAL TRAVEL ----- .032 MAX
OVERTRAVEL ----- .080 MIN

ELECTRICAL DATA

CONTACT ARRANGEMENT
S P D T

10A 1/3HP 125 OR 250 VAC
1/2A 125VDC, 1/4A 250 VDC
4A 125 VAC "L" LI12

SCALE FULL

DO NOT SCALE PRINT

UNLESS OTHERWISE SPECIFIED TOLERANCES ARE
ONE PLACE (.0) ± .030
TWO PLACE (.00) ± .015
THREE PLACE (.000) ± .005
ANGLES ±



WEIGHT