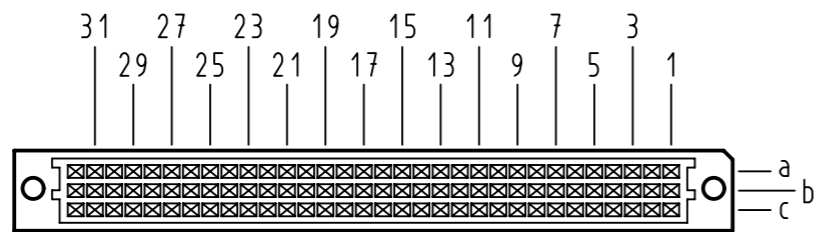


X
Kontaktanordnung
contact arrangement

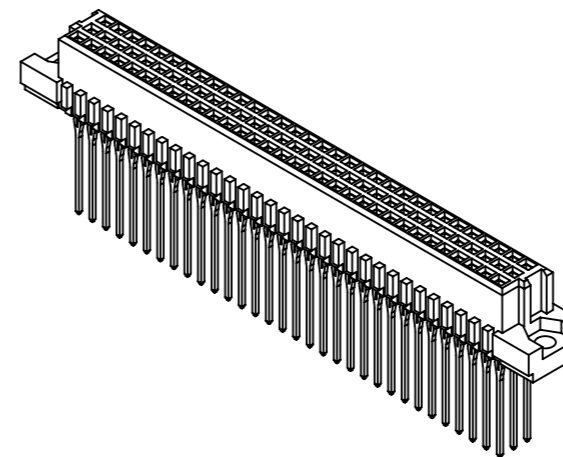
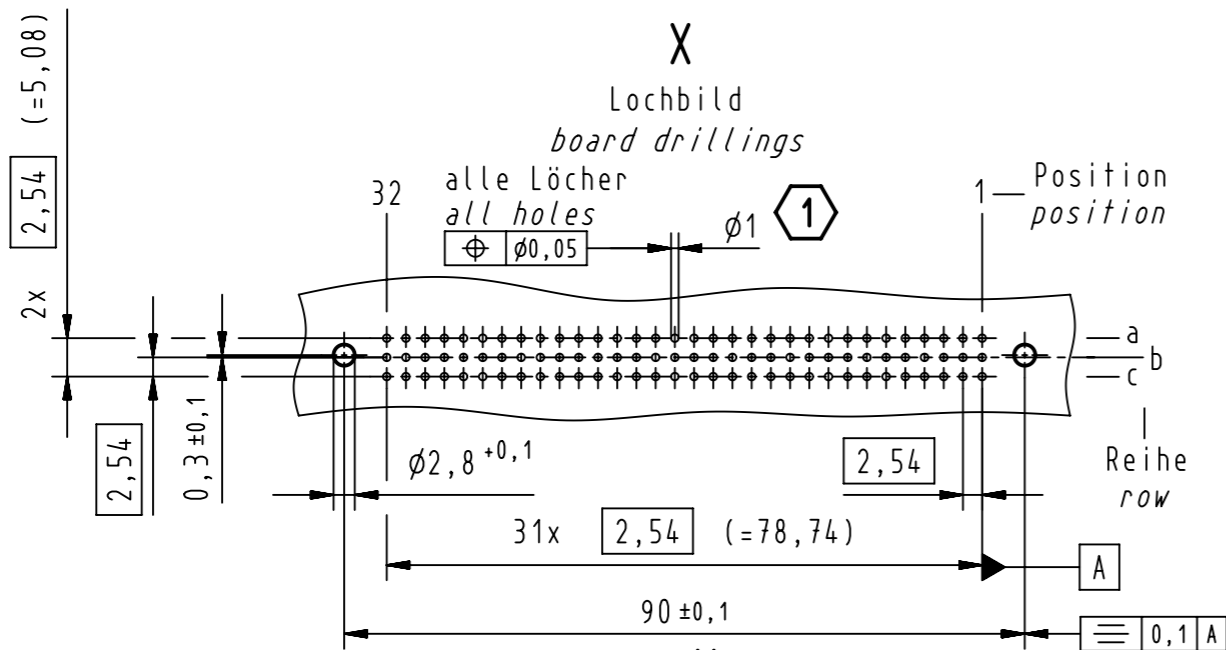


96 Einpress Kontakte
96 press-in contacts

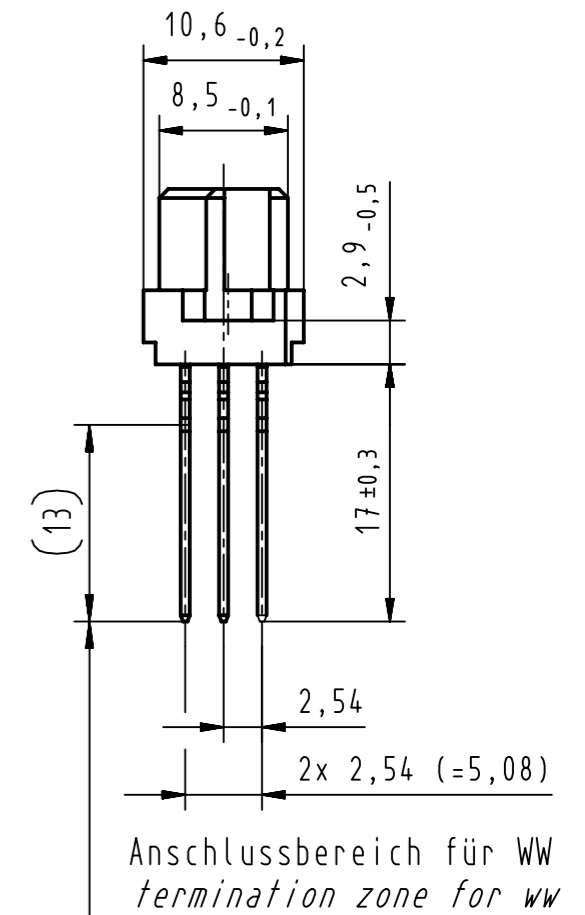
☒ = Kontaktposition belegt
= position with contact

☐ = Kontaktposition nicht belegt
= position without contact

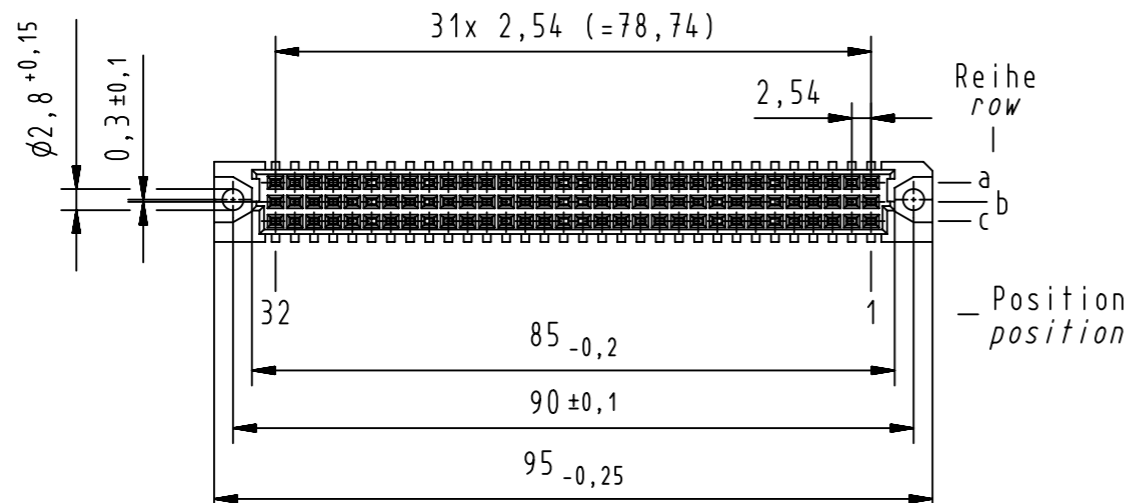
X
Lochbild
board drillings



Z (2:1)



Z



Empfohlener Lochaufbau und
weitere Informationen siehe: DS 09 03 210 00 02
recommended configuration of plated through holes
and further information see: DS 09 03 210 00 02

09 03 296 6852	2
09 03 296 2852	1
Bestell-Nr. part-no.	Anforderungsstufe performance level 1

	All Dimensions in mm Original Size DIN A3	Scale 1:1	Free size tol. IEC 60603-2	Ref. Sub. TB 0903296x852 Mod. 34650 25.09.07	
	All rights reserved Department EC PD - DE	Created by HAGEMEYERE	Inspected by LEHNERT	Standardisation HOFFMANN	Date 2013-01-15
HARTING Electronics GmbH D-32339 Espelkamp		Title DIN Signal type C female press-in 17mm			Doc-Key / ECH-Nr. 100072194/UGD/079/B 50000057951
		Type TB	Number 0903296X852		Rev. B Page 1/1