

C1005NP01H4R7C050BA

TDK Item Description : C1005NP01H4R7CT****

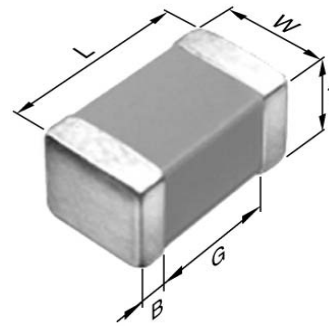


Application & Main Feature

Commercial Grade (High Temperature Application)

Series

C1005 [EIA CC0402]



Dimensions

L 1.00mm +/-0.05mm
W 0.50mm +/-0.05mm
T 0.50mm +/-0.05mm
B 0.10mm Min.
G 0.30mm Min.

Temperature Characteristic

NP0 (-55 to 150 degC 0+/-30ppm/degC)

Rated Voltage

1H (50Vdc)

Capacitance

4.7pF

Capacitance Tolerance

C (+/-0.25pF)

Q Factor

494 Min.

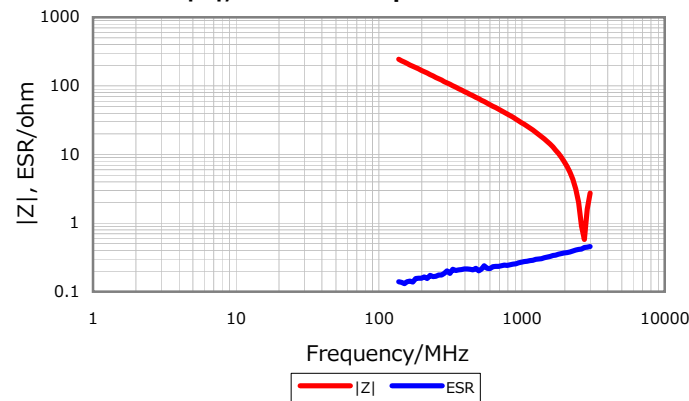
Insulation Resistance

10Gohm Min.

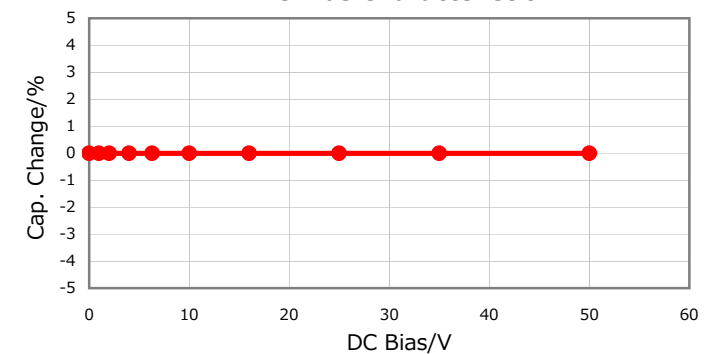
AEC-Q200

Not Applicable

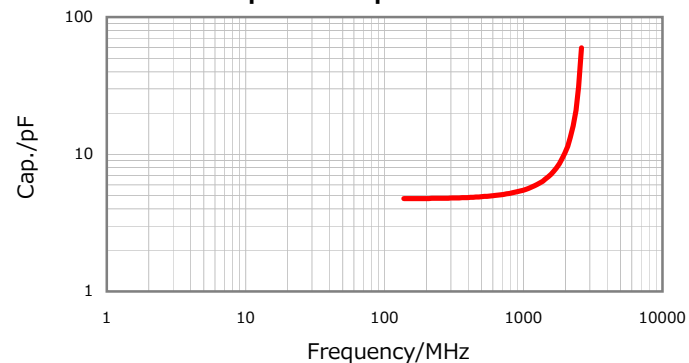
|Z|, ESR vs. Freq. Characteristics



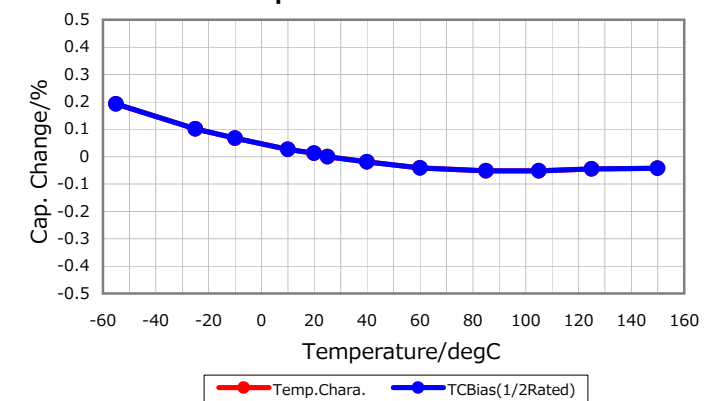
DC Bias Characteristic



Cap. vs. Freq. Characteristic



Temperature Characteristics



Characterization Sheet (Multilayer Ceramic Chip Capacitors)



⚠ All specifications are subject to change without notice.

January 3, 2016