

DETAILS

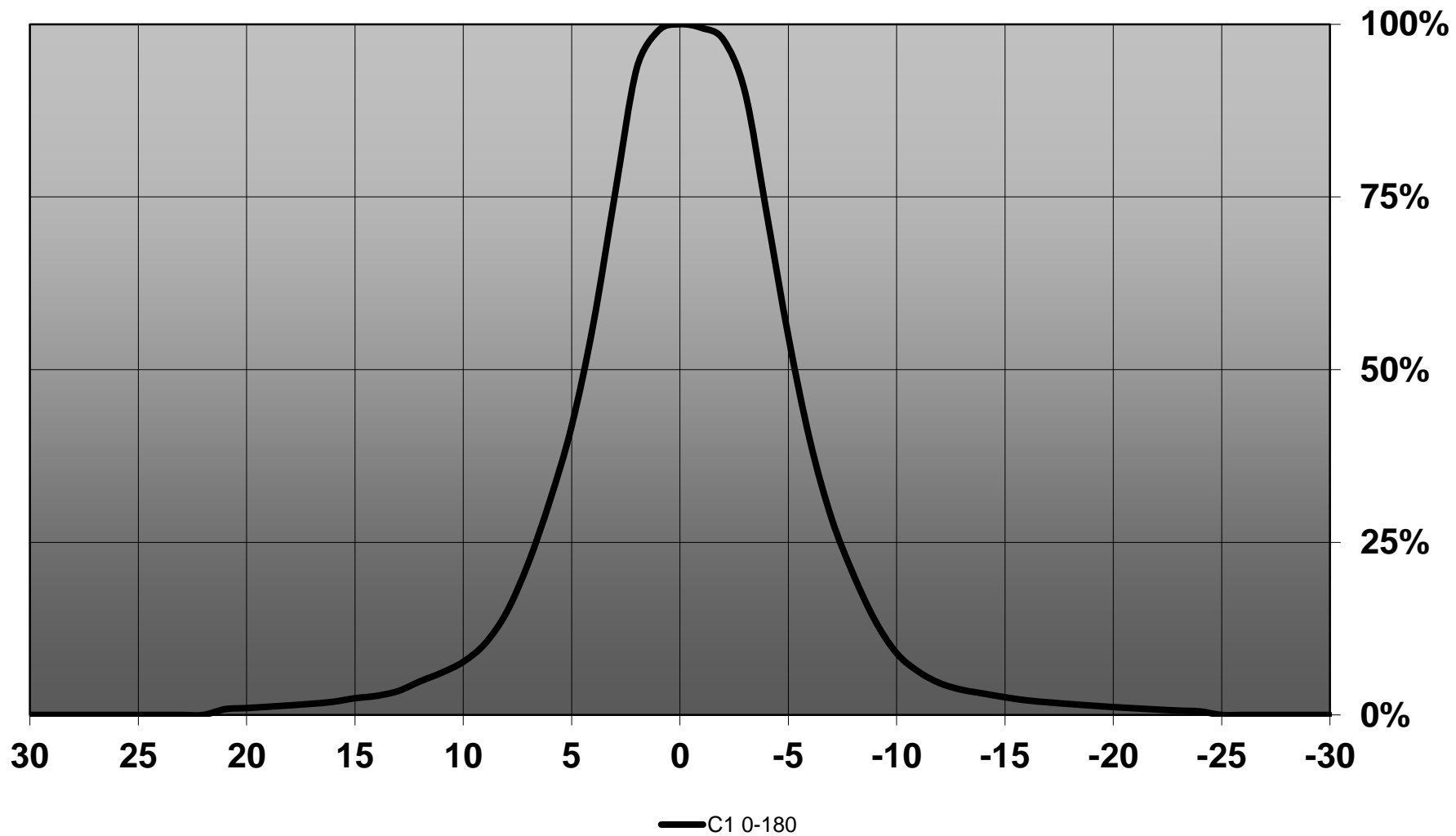
Product Number	CA12584_LXB2-RS2
Family	Leila
Type	Assembly
Color	black
Diameter	21,6 mm
Height	14,6 mm
Style	round
Optic Material	PMMA
Holder Material	
Fastening	tape
Status	production ready
ROHS Compliant	Yes
Date Updated	18/06/2012



OPTICAL PROPERTIES

LED	Viewing Angle	Light Beam	Efficiency	cd/lm	Connector
XB-D	9 deg	RS2-class	85 %	21.000	-
XB-H	10 deg	RS2-class	87 %	19.900	-

Relative intensity of CA12584_LXB2-RS2_(XB-H)

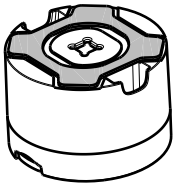


D

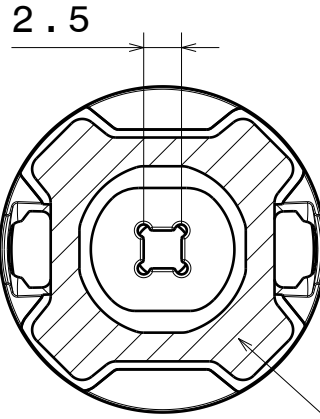
C

B

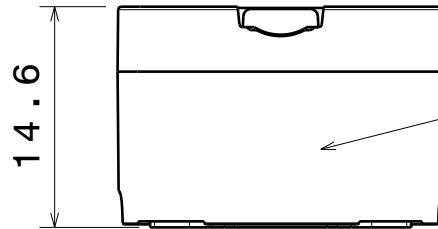
A



Isometric view
Scale: 1:1

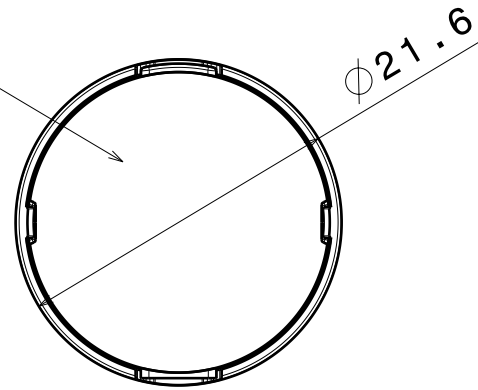


Tape



Holder

Lens



Materials:
Lens PMMA
Holder PC, Black
Tape PU foam with PSA

Tolerances for dimensions:
0-20mm tolerance value $\pm 0.1\text{mm}$
21-45mm tolerance value $\pm 0.2\text{mm}$
46-90mm tolerance value $\pm 0.3\text{mm}$
91-100mm tolerance value $\pm 0.4\text{mm}$
101-mm tolerance value $\pm 0.5\text{mm}$

This drawing is our property.
It can't be reproduced
or communicated without
our written agreement.



Ledil Oy
Salorankatu 10
FIN 24240 SALO
Finland

DRAWING TITLE

Datasheet LXB2 Tape Assy

DRAWN BY

pv

DATE

11.04.2012

CHECKED BY

sn

DATE

19.01.2012

DESIGNED BY

pv

DATE

19.01.2012

SIZE

A4

DRAWING NUMBER

-

REV

1

SCALE

2:1

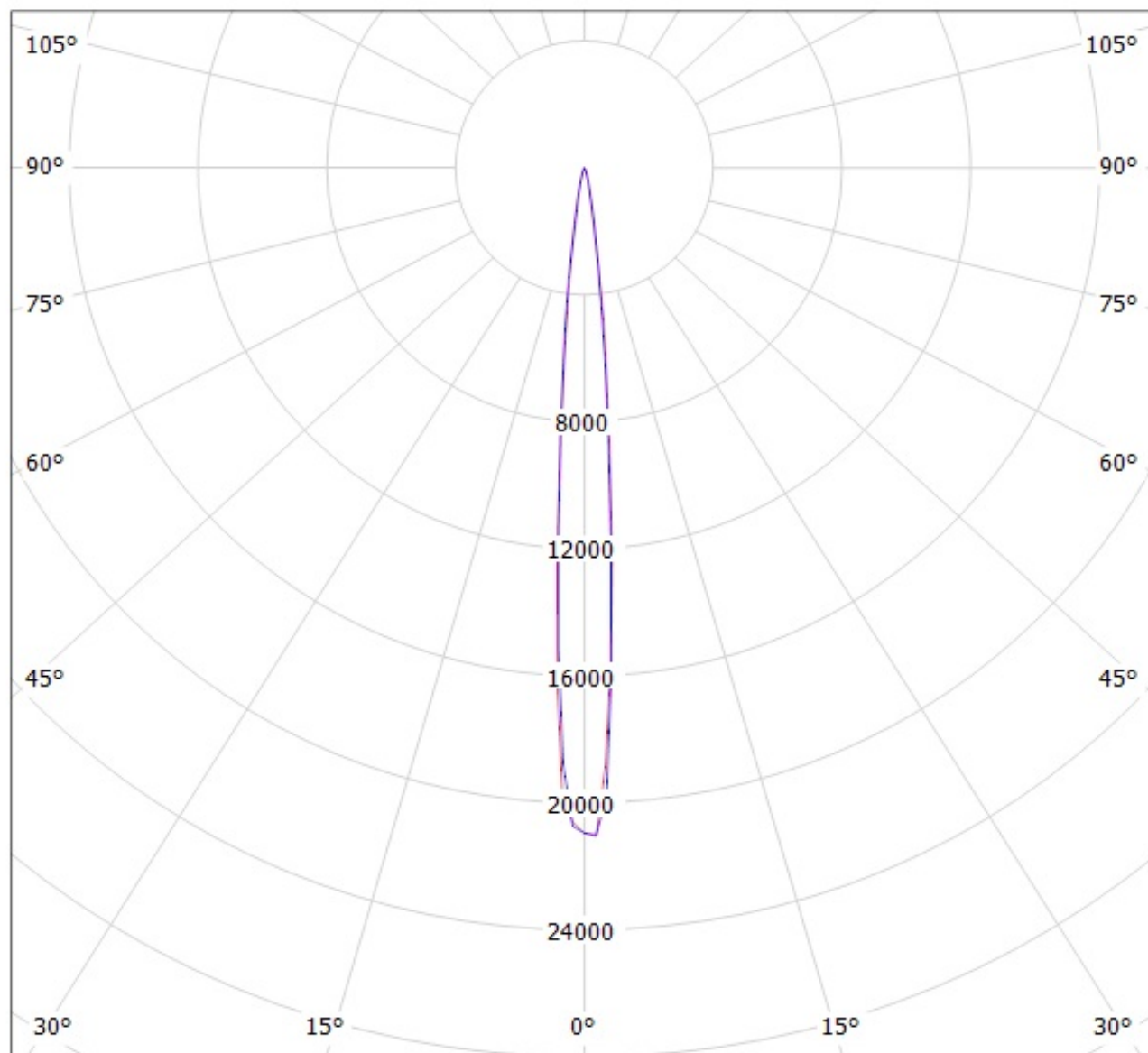
WEIGHT (g)

SHEET

1/1

A

Luminaire: Ledil Oy CA12584_LXB2-RS2 Efficiency=85%
Lamps: 1 x Cree XB-D warm (84lm @ 250mA)



cd/klm

— C0 - C180

— C90 - C270

NOTE: The typical divergence will be changed by different color, chip size and chip position tolerance. The typical total divergence is the full angle measured where the luminous intensity is half of the peak value.