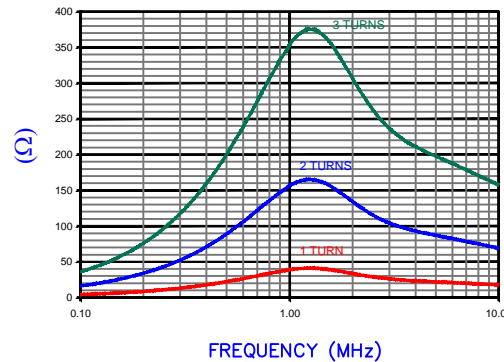


RoHS

IMPEDANCE (Z) NET ^{SEE NOTE 1}

FREQUENCY	500 KHz	1 MHz	5 MHz
NOMINAL (REF.) 1 TURN	19 Ω	34 Ω	22 Ω
MINIMUM (SPEC.) 1 TURN	- Ω	25 Ω	- Ω
NOMINAL (REF.) 2 TURNS	90 Ω	155 Ω	70 Ω
NOMINAL (REF.) 3 TURNS	200 Ω	355 Ω	200 Ω

Z vs. FREQUENCY
1 TURN, 2, AND 3 TURNS
(REF. ONLY)



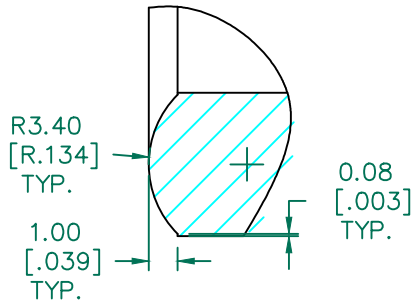
AGILENT E4991A RF Impedance/Material Analyzer
HP 16092A Test Fixture REF# 2492

TEST CRITERIA

METER HP4396A OR EQUIVALENT
FIXTURE HP16092A OR EQUIVALENT

NOTES:

- NET IMPEDANCE IS IMPEDANCE OF THE FERRITE CORE ONLY. ALL IMPEDANCE CONTRIBUTION FROM TEST WIRE AND FIXTURES HAS BEEN REMOVED.
- COSMETIC SPECIFICATION REFER TO WI-QA-038.



DETAIL "A"
CHAMFER
SCALE=4:1

FERRITE CORE DIMENSIONS (SPEC):

A	28.98 [1.141]	±	0.70 [.028]
B	19.05 [.750]	±	0.70 [.028]
C	15.21 [.599]	±	0.40 [.016]

WEIGHT/1000 27.16 kgs [59.88 Lbs]

DIMENSIONS ARE IN mm [INCHES].				This print is the property of Laird Tech. and is loaned in confidence subject to return upon request and with the understanding that no copies shall be made without the written consent of Laird Tech. All rights to design or invention are reserved.		Laird	
E	UPDATE TOLERANCE AND DETAIL A	06/12/17	QIU	PROJECT/PART NUMBER:	LFB290190-000	REV	E
D	UPDATE COMPANY LOGO	07/13/08	TMB	PART TYPE:	FERRITE CORE	DRAWN BY: TMB	
C	REM MIN TOLS @ 500 KHz	02/13/06	JRK	DATE:	09/23/02	SCALE:	2:1
B	ADJUST TOLERANCES ADD TEST REF #	12/28/04	JRK	MATERIAL:	LF		
A	ORIGINAL DRAFT	09/23/02	TMB	CAD #	LFB290190-000-E	TOOL #	B1141
REV	DESCRIPTION	DATE	INT				