

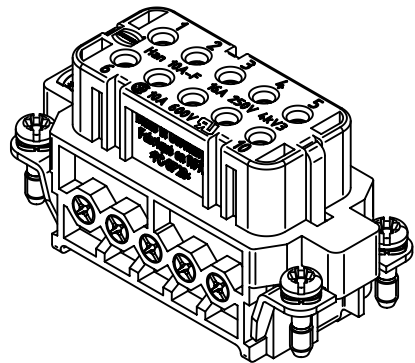
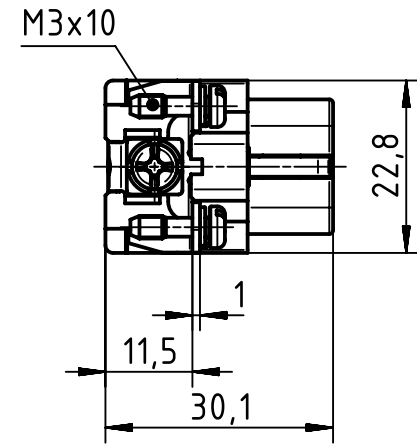
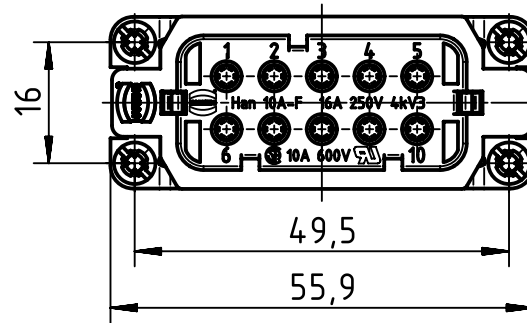
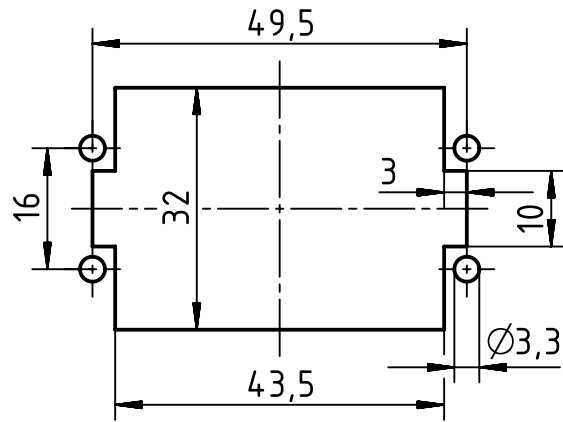
A


B

C

D

panel cut out



	All Dimensions in mm Original Size DIN A4		Scale 1:1		Free size tol.		Ref.			
	All rights reserved Department EL PD - DE		Created by SPRENB		Inspected by BERGHORN		Standardisation TIEMANNA			
HARTING Electric GmbH & Co. KG D-32339 Espelkamp		Title Han A 10 Pos. F Insert Screw w/Wire Prot					Date 2015-09-18		State Final Release	
		Type TB					Number 09 20 010 2814		Doc-Key / ECM-Nr. 100217398/UGD/002/B 500000091602	
							Rev. B		Page 1/1	