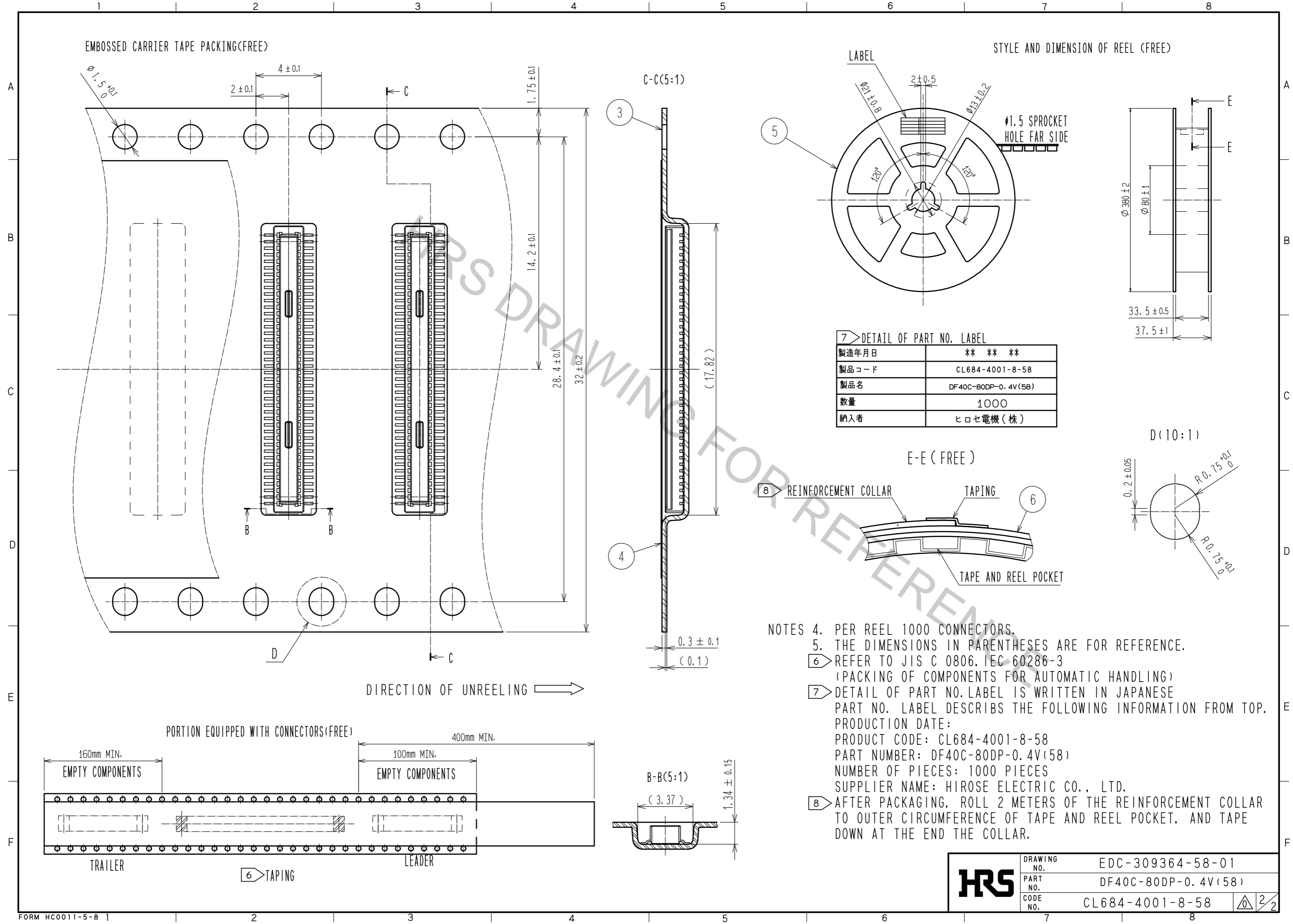


RECOMMENDED METAL MASK THICKNESS :  $120 \mu\text{m}$   
 RECOMMENDED METAL MASK OPENING RATIO : 80% FOR LEAD PAD

- NOTES) 1. ALL LEADS CO-PLANARITY SHALL BE 0.1mm MAX.  
 2. EACH ONE CONTACT AT 4 CORNERS SHALL BE METAL HOLD DOWN.  
 3. HRS MARK AND CAV NO. IS INDICATED IN APPROXIMAL POSITION SHOWN.

2	PHOSPHOR BRONZE	CONTACT AREA: Au $0.05 \mu\text{m}$ MIN	6	PS	CLEAR, REINFORCEMENT COLLAR			
		SMT LEAD: Au $0.05 \mu\text{m}$ MIN	5	PS	BLACK, PLASTIC REEL			
		UNDERPLATING: NICKEL $1 \mu\text{m}$ MIN	4	POLYESTER	CLEAR, COVER TAPE			
1	LCP	BLACK, UL94V-0	3	PS	CLEAR, EMBOSSED CARRIER TAPE			
NO.	MATERIAL	FINISH . REMARKS	NO.	MATERIAL	FINISH . REMARKS			
UNITS mm		SCALE 10 : 1	COUNT 	DESCRIPTION OF REVISIONS		DESIGNED	CHECKED	DATE
<b>HRS</b> HIROSE ELECTRIC CO., LTD.		APPROVED : MO. ISHIDA	15. 11. 27	DRAWING NO. EDC-309364-58-01				
		CHECED : TS. MIYAZAKI	15. 11. 27	PART NO. DF40C-80DP-0.4V(58)				
		DESIGNED : SH. HOSODA	15. 11. 27	CODE NO. CL684-4001-8-58				
		DRAWN : KR. AJITO	15. 11. 27					

Apr.1.2017 Copyright 2017 HIROSE ELECTRIC CO., LTD. All Rights Reserved.



EMBOSSED CARRIER TAPE PACKING(FREE)

STYLE AND DIMENSION OF REEL (FREE)

7 > DETAIL OF PART NO. LABEL

製造年月日	** ** *
製品コード	CL684-4001-8-58
製品名	DF40C-80DP-0.4V(58)
数量	1000
納入者	ヒロセ電機(株)

- NOTES
- 4. PER REEL 1000 CONNECTORS.
  - 5. THE DIMENSIONS IN PARENTHESES ARE FOR REFERENCE.
  - 6 > REFER TO JIS C 0806, IEC 60286-3  
(PACKING OF COMPONENTS FOR AUTOMATIC HANDLING)
  - 7 > DETAIL OF PART NO. LABEL IS WRITTEN IN JAPANESE  
PART NO. LABEL DESCRIBES THE FOLLOWING INFORMATION FROM TOP.  
PRODUCTION DATE:  
PRODUCT CODE: CL684-4001-8-58  
PART NUMBER: DF40C-80DP-0.4V(58)  
NUMBER OF PIECES: 1000 PIECES  
SUPPLIER NAME: HIROSE ELECTRIC CO., LTD.
  - 8 > AFTER PACKAGING, ROLL 2 METERS OF THE REINFORCEMENT COLLAR TO OUTER CIRCUMFERENCE OF TAPE AND REEL POCKET, AND TAPE DOWN AT THE END THE COLLAR.

<b>HRS</b>	DRAWING NO.	EDC-309364-58-01
	PART NO.	DF40C-80DP-0.4V(58)
	CODE NO.	CL684-4001-8-58
		2/2

6 > TAPING

B-B(5:1)  
(3.37)

1.34 ± 0.15

0.3 ± 0.1  
(0.1)

E-E (FREE)

8 > REINFORCEMENT COLLAR  
TAPING  
6  
TAPE AND REEL POCKET

D(10:1)

0.2 ± 0.05  
R0.75 ± 0.1  
R0.75 ± 0.1

33.5 ± 0.5  
37.5 ± 1

5  
LABEL  
Ø21 ± 0.8  
2 ± 0.5  
Ø13 ± 0.2  
120°  
120°  
Ø1.5 SPROCKET HOLE FAR SIDE

C-C(5:1)

3  
4  
(17.82)

DIRECTION OF UNREELING →

PORTION EQUIPPED WITH CONNECTORS(FREE)

160mm MIN. EMPTY COMPONENTS  
100mm MIN. EMPTY COMPONENTS  
400mm MIN.  
TRAILER  
LEADER  
6 > TAPING

A  
B  
C  
D  
E  
F

A  
B  
C  
D  
E  
F

1 2 3 4 5 6 7 8

2

3

4

5

6

7

8

2 ± 0.1  
4 ± 0.1

1.75 ± 0.1  
14.2 ± 0.1

28.4 ± 0.1  
32 ± 0.2

B

B

D

C

C

4

8 >

6

5

3

Ø1.5 ± 0.1

160mm MIN.

400mm MIN.

EMPTY COMPONENTS

EMPTY COMPONENTS

TRAILER

LEADER

6 > TAPING

B-B(5:1)

(3.37)

1.34 ± 0.15

0.3 ± 0.1  
(0.1)

E-E (FREE)

8 > REINFORCEMENT COLLAR  
TAPING  
6  
TAPE AND REEL POCKET

D(10:1)

0.2 ± 0.05  
R0.75 ± 0.1  
R0.75 ± 0.1

33.5 ± 0.5  
37.5 ± 1

5  
LABEL  
Ø21 ± 0.8  
2 ± 0.5  
Ø13 ± 0.2  
120°  
120°  
Ø1.5 SPROCKET HOLE FAR SIDE

C-C(5:1)

3  
4  
(17.82)

DIRECTION OF UNREELING →

PORTION EQUIPPED WITH CONNECTORS(FREE)

160mm MIN. EMPTY COMPONENTS  
100mm MIN. EMPTY COMPONENTS  
400mm MIN.  
TRAILER  
LEADER  
6 > TAPING

A  
B  
C  
D  
E  
F

A  
B  
C  
D  
E  
F

1 2 3 4 5 6 7 8

2

3

4

5

6

7

8

2 ± 0.1  
4 ± 0.1

1.75 ± 0.1  
14.2 ± 0.1

28.4 ± 0.1  
32 ± 0.2

B

B

D

C

C

4

8 >

6

5

3

Ø1.5 ± 0.1

160mm MIN.

400mm MIN.

EMPTY COMPONENTS

EMPTY COMPONENTS

TRAILER

LEADER

6 > TAPING

B-B(5:1)

(3.37)

1.34 ± 0.15

0.3 ± 0.1  
(0.1)

E-E (FREE)

8 > REINFORCEMENT COLLAR  
TAPING  
6  
TAPE AND REEL POCKET

D(10:1)

0.2 ± 0.05  
R0.75 ± 0.1  
R0.75 ± 0.1

33.5 ± 0.5  
37.5 ± 1

5  
LABEL  
Ø21 ± 0.8  
2 ± 0.5  
Ø13 ± 0.2  
120°  
120°  
Ø1.5 SPROCKET HOLE FAR SIDE

C-C(5:1)

3  
4  
(17.82)

DIRECTION OF UNREELING →

PORTION EQUIPPED WITH CONNECTORS(FREE)

160mm MIN. EMPTY COMPONENTS  
100mm MIN. EMPTY COMPONENTS  
400mm MIN.  
TRAILER  
LEADER  
6 > TAPING

A  
B  
C  
D  
E  
F

A  
B  
C  
D  
E  
F

1 2 3 4 5 6 7 8

2

3

4

5

6

7

8

2 ± 0.1  
4 ± 0.1

1.75 ± 0.1  
14.2 ± 0.1

28.4 ± 0.1  
32 ± 0.2

B

B

D

C

C

4

8 >

6

5

3

Ø1.5 ± 0.1

160mm MIN.

400mm MIN.

EMPTY COMPONENTS

EMPTY COMPONENTS

TRAILER

LEADER

6 > TAPING

B-B(5:1)

(3.37)

1.34 ± 0.15

0.3 ± 0.1  
(0.1)

E-E (FREE)

8 > REINFORCEMENT COLLAR  
TAPING  
6  
TAPE AND REEL POCKET

D(10:1)

0.2 ± 0.05  
R0.75 ± 0.1  
R0.75 ± 0.1

33.5 ± 0.5  
37.5 ± 1

5  
LABEL  
Ø21 ± 0.8  
2 ± 0.5  
Ø13 ± 0.2  
120°  
120°  
Ø1.5 SPROCKET HOLE FAR SIDE

C-C(5:1)

3  
4  
(17.82)

DIRECTION OF UNREELING →

PORTION EQUIPPED WITH CONNECTORS(FREE)

160mm MIN. EMPTY COMPONENTS  
100mm MIN. EMPTY COMPONENTS  
400mm MIN.  
TRAILER  
LEADER  
6 > TAPING

A  
B  
C  
D  
E  
F

A  
B  
C  
D  
E  
F

1 2 3 4 5 6 7 8

2

3

4

5

6

7

8

2 ± 0.1  
4 ± 0.1

1.75 ± 0.1  
14.2 ± 0.1

28.4 ± 0.1  
32 ± 0.2

B

B

D

C

C

4

8 >

6

5

3

Ø1.5 ± 0.1

160mm MIN.

400mm MIN.

EMPTY COMPONENTS

EMPTY COMPONENTS

TRAILER

LEADER

6 > TAPING

B-B(5:1)

(3.37)

1.34 ± 0.15

0.3 ± 0.1  
(0.1)

E-E (FREE)

8 > REINFORCEMENT COLLAR  
TAPING  
6  
TAPE AND REEL POCKET

D(10:1)

0.2 ± 0.05  
R0.75 ± 0.1  
R0.75 ± 0.1

33.5 ± 0.5  
37.5 ± 1

5  
LABEL  
Ø21 ± 0.8  
2 ± 0.5  
Ø13 ± 0.2  
120°  
120°  
Ø1.5 SPROCKET HOLE FAR SIDE

C-C(5:1)

3  
4  
(17.82)

DIRECTION OF UNREELING →

PORTION EQUIPPED WITH CONNECTORS(FREE)

160mm MIN. EMPTY COMPONENTS  
100mm MIN. EMPTY COMPONENTS  
400mm MIN.  
TRAILER  
LEADER  
6 > TAPING

A  
B  
C  
D  
E  
F

A  
B  
C  
D  
E  
F

1 2 3 4 5 6 7 8

2

3

4

5

6

7

8

2 ± 0.1  
4 ± 0.1

1.75 ± 0.1  
14.2 ± 0.1

28.4 ± 0.1  
32 ± 0.2

B

B

D

C

C

4

8 >

6

5

3

Ø1.5 ± 0.1

160mm MIN.

400mm MIN.

EMPTY COMPONENTS

EMPTY COMPONENTS

TRAILER

LEADER

6 > TAPING

B-B(5:1)

(3.37)

1.34 ± 0.15

0.3 ± 0.1  
(0.1)

E-E (FREE)

8 > REINFORCEMENT COLLAR  
TAPING  
6  
TAPE AND REEL POCKET

D(10:1)

0.2 ± 0.05  
R0.75 ± 0.1  
R0.75 ± 0.1

33.5 ± 0.5  
37.5 ± 1

5  
LABEL  
Ø21 ± 0.8  
2 ± 0.5  
Ø13 ± 0.2  
120°  
120°  
Ø1.5 SPROCKET HOLE FAR SIDE

C-C(5:1)

3  
4  
(17.82)

DIRECTION OF UNREELING →

PORTION EQUI