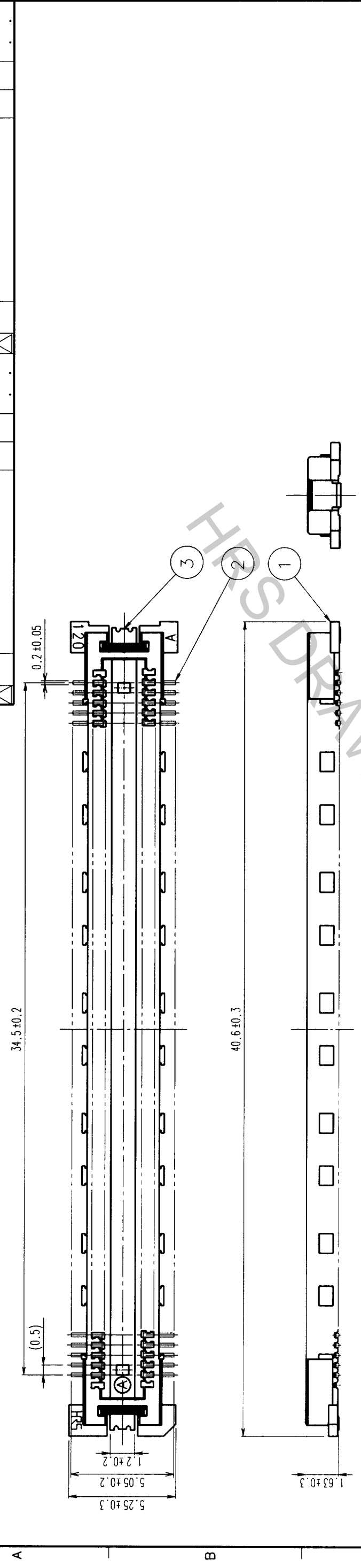
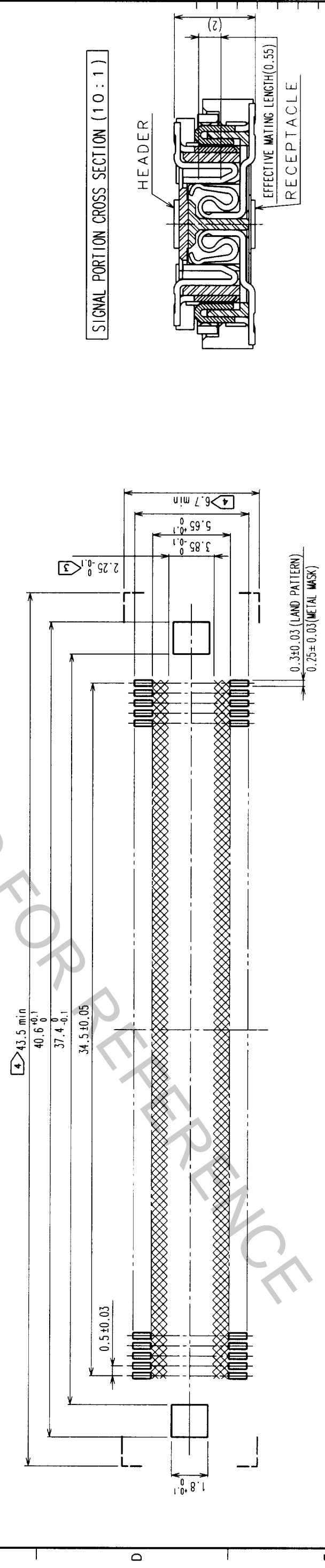


COUNT	DESCRIPTION OF REVISIONS	BY	CHKD	DATE
△				
△				
△				



RECOMMENDED LAND PATTERN DIMENSION OF PCB



NO.	MATERIAL	FINISH	REMARKS	DRAWN	DESIGNED	CHECKED	APPROVED	RELEASED
2	COPPER ALLOY		CONTACT AREA: GOLD (0.1μm) OVER NICKEL					
1	LCP	BEIGE	UL 94V-0					
3	PHOSPHOR BRONZE		TIN PLATED					

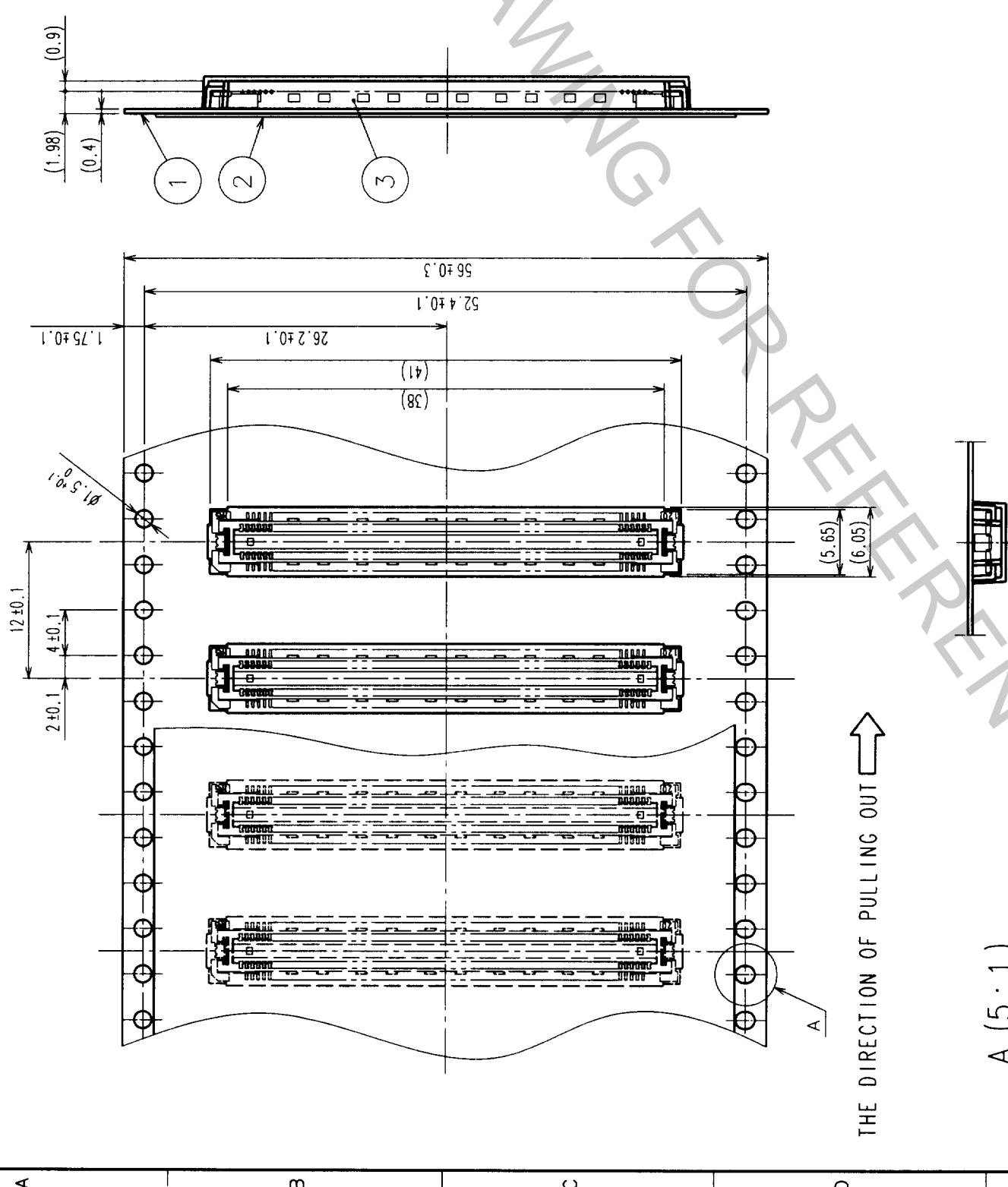
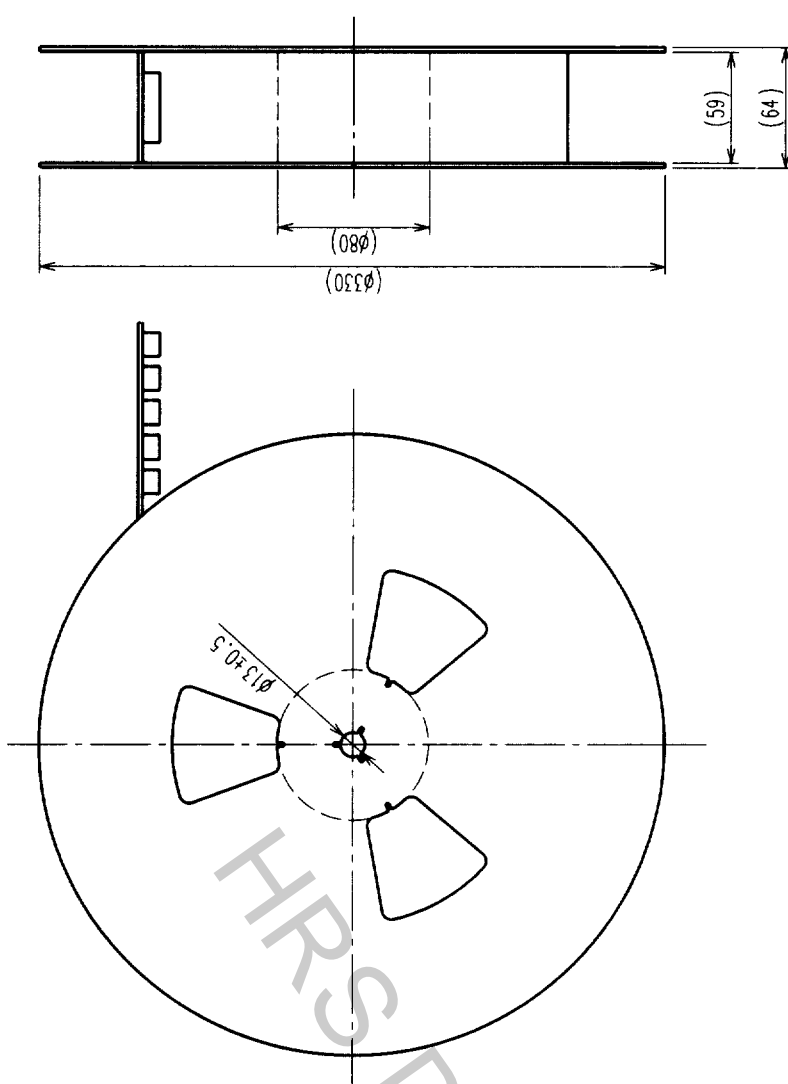
DRAWING NO.	EDC3-152107-01	PART NO.	FX11LB-140P-SV (21)
SCALE	5 : 1	CODE NO.	CL573-0055-3-21
UNITS	mm		

- NOTES
- SMT LEAD-COPLANARITY: 0.1 MAX.
 - THIS PRODUCT HAS NO POLARITY TO PATTERN FOR MOUNTING.
 - MAKE SURE WIDTH OF PATTERN IS WITHIN THAT OF LAND, OR LEAD MAY TOUCH PATTERN. (THIS APPLIES TO HATCHED AREA.)
 - DO NOT MOUNT OTHER DEVICES ONTO [] AREA, OR MATING PAIR CANNOT BE MATED.
 - TO BE EMBOSSED CARRIER TAPED AS SPECIFIED IN SHEET 2.

TO	
PCK	

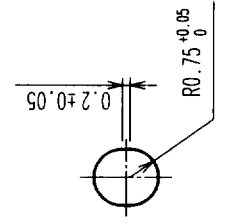
COUNT	DESCRIPTION OF REVISIONS	BY	CHKD	DATE	COUNT	DESCRIPTION OF REVISIONS	BY	CHKD	DATE
△					△				
△					△				
△					△				

REELED DIMENSION (Free)



THE DIRECTION OF PULLING OUT

A (5:1)



- NOTES 1 REEL:1000 CONNECTORS.
- 2 MINIMUM 10 COMPARTMENTS FROM BOTH REEL ENDS REMAIN EMPTY.
- 3 THIS PRODUCT HAS NO POLARITY TO TAPE AND REEL PACKAGING.

2	PET	TOP COVER TAPE	3	(CONNECTOR)	FINISH, REMARKS	DESIGNED	CHECKED	APPROVED	RELEASED
1	PS	EMBOSSED CARRIER TAPE	3						
NO.	MATERIAL	FINISH, REMARKS	NO.	MATERIAL	FINISH, REMARKS	DESIGNED	CHECKED	APPROVED	RELEASED
CODE NO. (OLD)	DRAWING FOR PACKING		CL	DRAWN		M. Saitoh 99.10.25		J. Yoshimura 99.10.26	
SCALE	DRAWING NO.		PART NO.		FINISH, REMARKS		APPROVED		RELEASED
2 : 1	EDC3-152107-01		FX11LB-140P-SV(21)		FINISH, REMARKS		APPROVED		RELEASED
UNITS	mm		CODE NO.		FINISH, REMARKS		APPROVED		RELEASED
	HIROSE ELECTRIC CO., LTD		CL573-0055-3-21		FINISH, REMARKS		APPROVED		RELEASED

TO	
PCK	