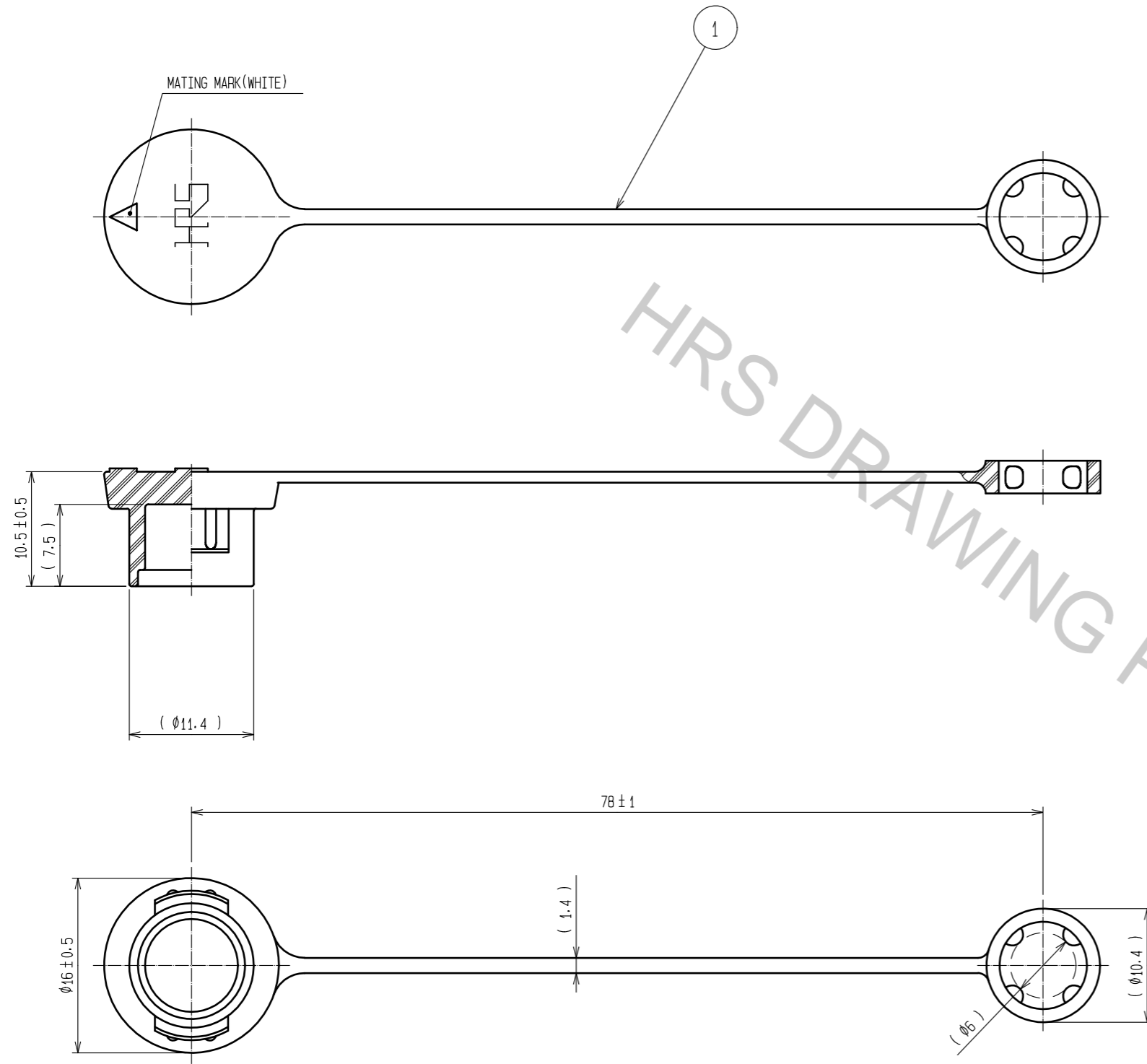


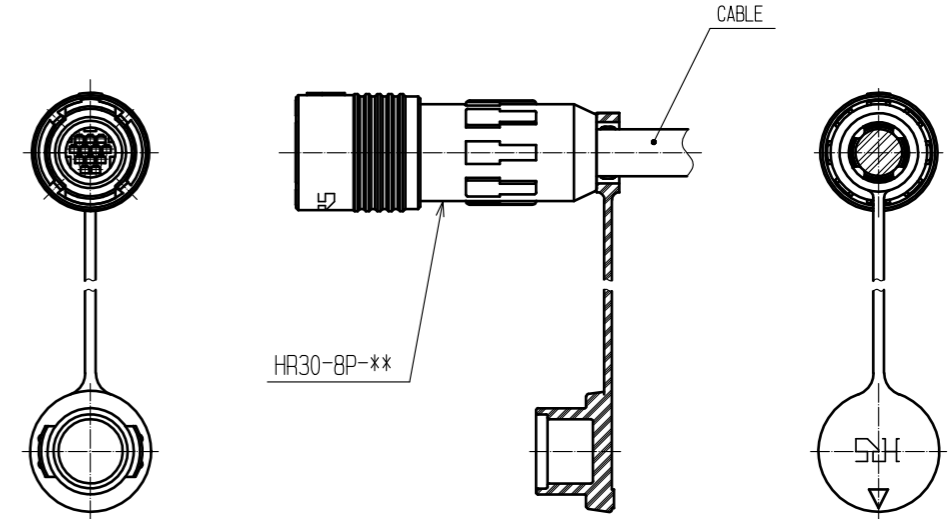
Aug.1.2018 Copyright 2018 HIROSE ELECTRIC CO., LTD. All Rights Reserved.
 In case that the application demands a high level of reliability, such as automotive,
 please contact a company representative for further information.



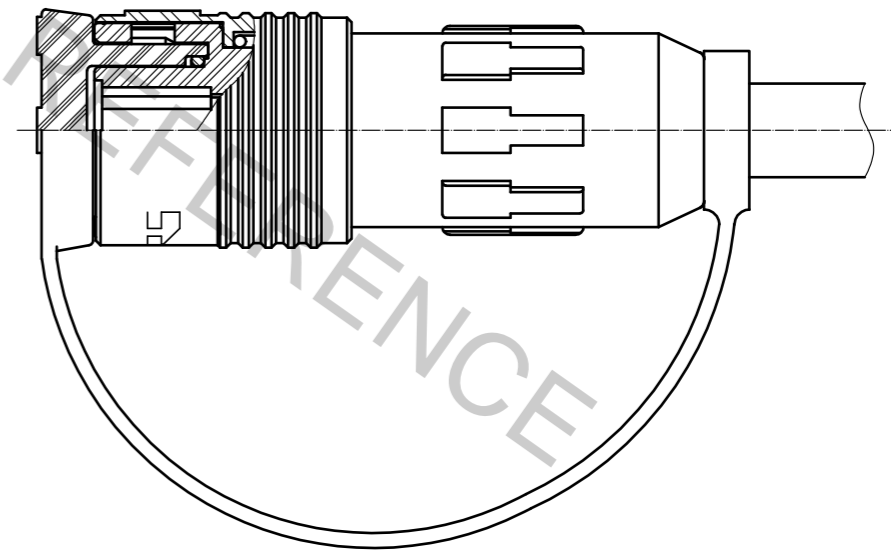
NOTES 1 THIS PART TO BE USED AS ASSEMBLED COMPONENT IN THE DIAGRAM AFTER ASSEMBLING.
 2 THIS PRODUCT IS A CAP FOR HR30-8P-*(*)
 IT IS APPLICABLE REGARDLESS OF GIVEN ALPHABETS OR NUMBERS SHOWN AT *.

DIAGRAM AFTER ASSEMBLING

INSTALLATION VIEW(1:1)



MATING CONDITION VIEW



1	CHLOROPRENE RUBBER	BLACK					
NO.	MATERIAL	FINISH . REMARKS	NO.	MATERIAL	FINISH . REMARKS		
UNITS		SCALE	COUNT	DESCRIPTION OF REVISIONS		DESIGNED	CHECKED
mm		2 : 1					
HRS HIROSE ELECTRIC CO., LTD.		APPROVED : HY. KOBAYASHI	18.02.26	DRAWING NO.		EDC-112684-31-00	
		CHECKED : HY. KOBAYASHI	18.02.26	PART NO.		HR30-8P-C(31)	
		DESIGNED : DS. MATSUNE	18.02.24	CODE NO.		CL130-3003-5-31	
		DRAWN : AI. NISHIYAMA	18.02.22				