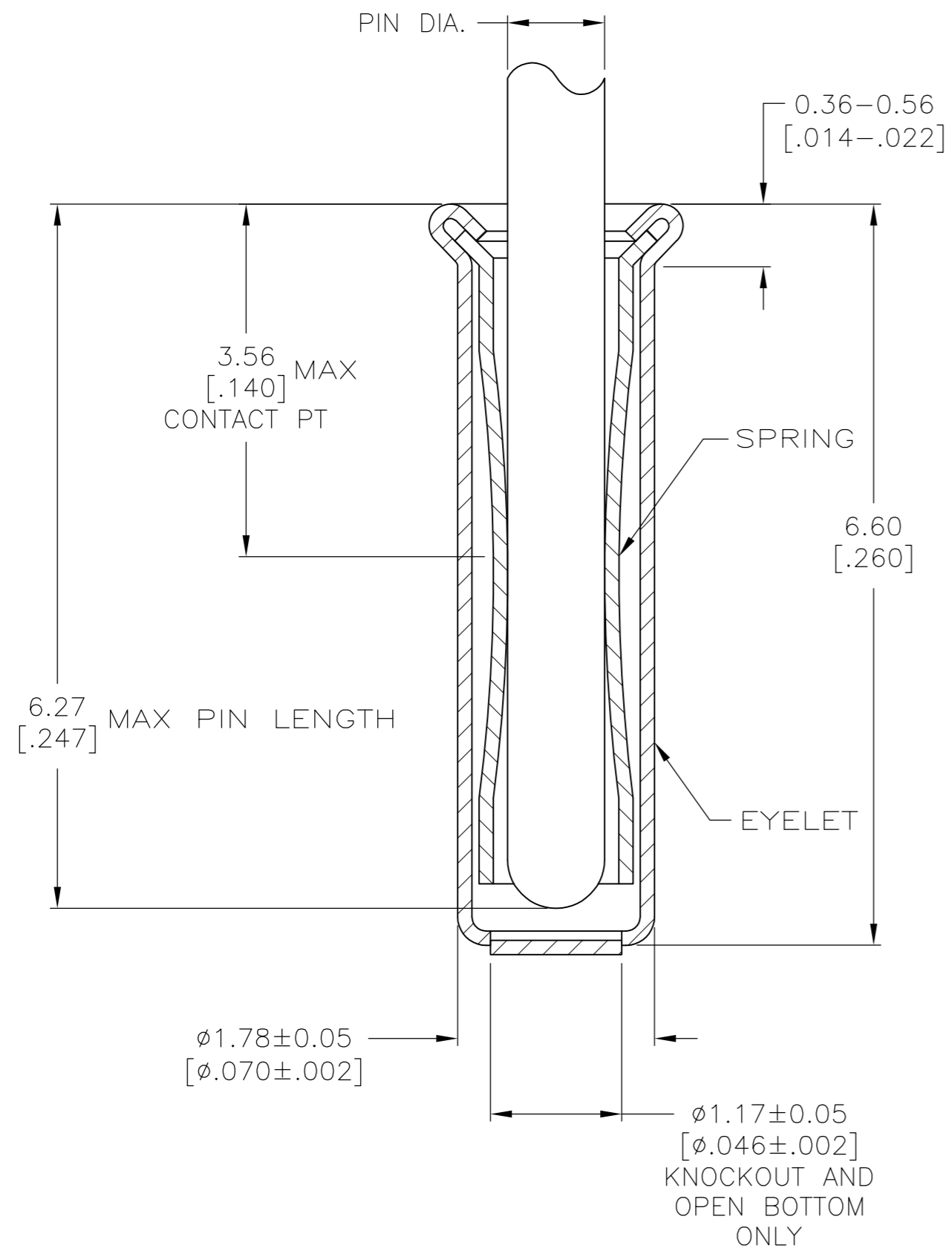
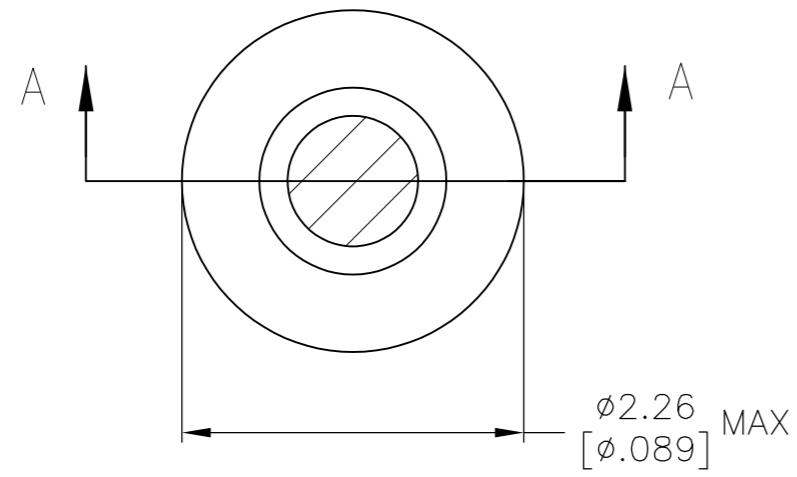


THIS DRAWING IS UNPUBLISHED. RELEASED FOR PUBLICATION  
 © COPYRIGHT - By - ALL RIGHTS RESERVED.

LOC		DIST		REVISIONS			
GP	00	P	LTR	DESCRIPTION	DATE	DWN	APVD
		AG3		REVISED PER ECO-11-004835	11MAR11	RK	HMR



- 1. TIN PER MIL-T-10727 OR TIN LEAD .000254 [.000100] MIN THK.
- 2. NICKEL UNDERPLATE ALL OVER, MATING SURFACE PLATED TO MEET PERFORMANCE REQUIREMENTS OF TE CONNECTIVITY PRODUCT SPECIFICATION 108-14008.
- 3. GOLD FLASH PER MIL-G-45204, TYPE II,  $0.13\mu\text{m}$  [.000005] MIN THK. OVER NICKEL PLATE PER QQ-N-290  $0.51\mu\text{m}-1.52\mu\text{m}$  [.000020-.000060] EXT THK.
- 4. GOLD PER MIL-G-45204, TYPE II,  $0.00127$  [.000050] MIN THK OVER NICKEL PLATE PER QQ-N-290.  $0.00127$  [.000050] MIN EXT THK
- 5. RECOMMENDED HOLE SIZE, PLATED OR UNPLATED:  
 MACHINE INSERTION:  $1.83 \begin{matrix} +0.10 \\ -0.08 \end{matrix}$  [ $.072 \begin{matrix} +.004 \\ -.003 \end{matrix}$ ]  
 HAND INSERTION:  $1.83 \begin{matrix} +0.10 \\ -0.00 \end{matrix}$  [ $.072 \begin{matrix} +.004 \\ -.000 \end{matrix}$ ]
- 6. APPLICATION TOOL PART NUMBER:  
 MACHINE NO. 682127-5  
 INSERTION HEAD NO. 682039-4
- 7. TO INSURE PROPER SPRING TENSION DO NOT EXCEED A 0.05 [.002] DIFFERENCE IN PIN DIA WHEN CHANGING TO A SMALLER PIN.
- 8. BOTTOM PLUG KNOCKOUT TOOL PART NUMBER 69729 WITH TIP PART NUMBER 69728-2.
- 9. TIN PER ASTM B 545, .000254 [.000100] MIN THK.
- 10. MATERIAL: SPRING: BERYLLIUM COPPER QQ-C-533  
 EYELET: COPPER, QQ-C-576
- 11. GOLD PER MIL-G-45204 TYPE II,  $0.00076$  [.000030] MIN THK OVER NICKEL PLATE PER QQ-N-290  $0.00127$  [.000050] MIN THK OF CONTACT AREA.

	KNOCKOUT		TIN 9	TIN 9	6-50865-7
	OPEN		GOLD 4	GOLD 11	6-50865-6
			GOLD 4	GOLD 2	1-50865-2
					1-50865-1
SUPSD BY 50865-5					1-50865-0
OBSOLETE	CLOSED				50865-8
OBSOLETE	KNOCKOUT	0.86-1.04 [.034-.041]	TIN 1	TIN 1	50865-7
	OPEN				50865-6
	CLOSED				50865-5
OBSOLETE	OPEN		GOLD 3	GOLD 2	50865-4
OBSOLETE			TIN 1		50865-3
	KNOCKOUT		GOLD 3		50865-2
OBSOLETE			TIN 1		50865-1
	CLOSED		GOLD 3		50865
NOTES	BOTTOM TYPE	RECOMMENDED PIN DIA. 7	EYELET	SPRING	PART NO

SECTION A-A

THIS DRAWING IS A CONTROLLED DOCUMENT. DWN R. TALLEY 4-5-91  
 CHK -  
 APVD -  
 PRODUCT SPEC -  
 APPLICATION SPEC -  
 WEIGHT -  
 CUSTOMER DRAWING

**STE** TE Connectivity  
 MINIATURE SPRING SOCKET ASSEMBLY  
 SERIES 4

SIZE A2 CAGE CODE 00779 DRAWING NO C=50865 RESTRICTED TO -  
 SCALE 1:1 SHEET 1 OF 1 REV AG3