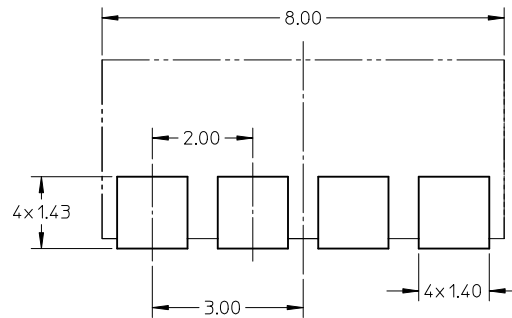
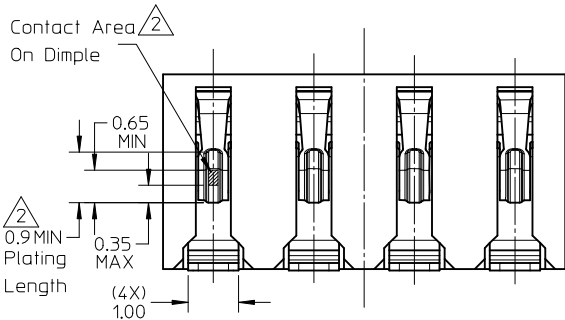


* DIMENSIONS WILL BE REPORTED ON PIN#1 AND PIN#4 ONLY

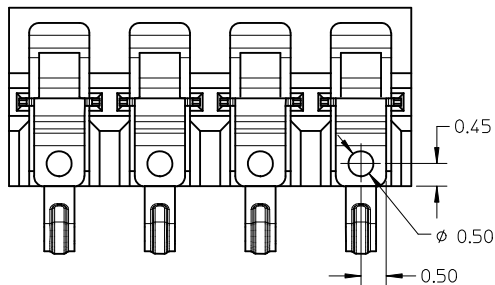
SECTION Z-Z



RECOMMENDED PCB LAYOUT (DEFAULT TOLERANCE: ±0.05)

NOTE:

- MATERIAL:
HOUSING: LCP, 30% GLASS-FILLED, UL 94V-0, COLOR IS BLACK
TERMINAL: COPPER ALLOY, 0.15 MM BeCu C17200 290 TM06.
- FINISH:
CONTACT AREA ON DIMPLE: 30 MICRO INCHES MIN GOLD PLATING OVER 50 MICRO INCHES MINI NICKEL,
GOLD FLASH ON PLATING LENGTH
SOLDER AREA: GOLD FLASH OVER 50 MICRO MINI INCHES NICKEL
REST AREA: 50 MICRO INCHES MINI NICKEL
- RECOMMENED WORKING RANGE 1.05 ~ 0.55 MM.
- COPLANARITY: 0.08 MAX AMONG THESE SOLDER TAILS.
- PRODUCT SPECIFICATION: PS-47615-001.
- DATE CODE: ** ** ** (6 DIGITS)
DAY
MONTH
YEAR



REVISED EC NO: S2011-0795 DRWNSHONG 2011/04/11 CHKD: LING 2011/04/27 APPR: NAGESHKN 2011/04/27	QUALITY SYMBOLS ▽=0 ◻=0	GENERAL TOLERANCES (UNLESS SPECIFIED)		DIMENSION STYLE MM ONLY		SCALE 10:1	DESIGN UNITS METRIC	THIRD ANGLE PROJECTION		
		mm	INCH	DRAWN BY	DATE	TITLE				
		4 PLACES ± --- ± ---		YLZHUO2	2007/5/17	SALES DRAWING 4 CKTS BATTERY CONNECTOR				
		3 PLACES ± --- ± ---		CHECKED BY	DATE					
2 PLACES ± 0.15 ± ---		XIXU	2007/5/17	MOLEX INCORPORATED						
1 PLACE ± 0.25 ± ---		APPROVED BY	DATE							
ANGULAR ± --- °		MATERIAL NO.		DOCUMENT NO.		SHEET NO.				
DRAFT WHERE APPLICABLE MUST REMAIN WITHIN DIMENSIONS		476150001		SD-47615-001		1 OF 1				
		SIZE A3		THIS DRAWING CONTAINS INFORMATION THAT IS PROPRIETARY TO MOLEX INCORPORATED AND SHOULD NOT BE USED WITHOUT WRITTEN PERMISSION						