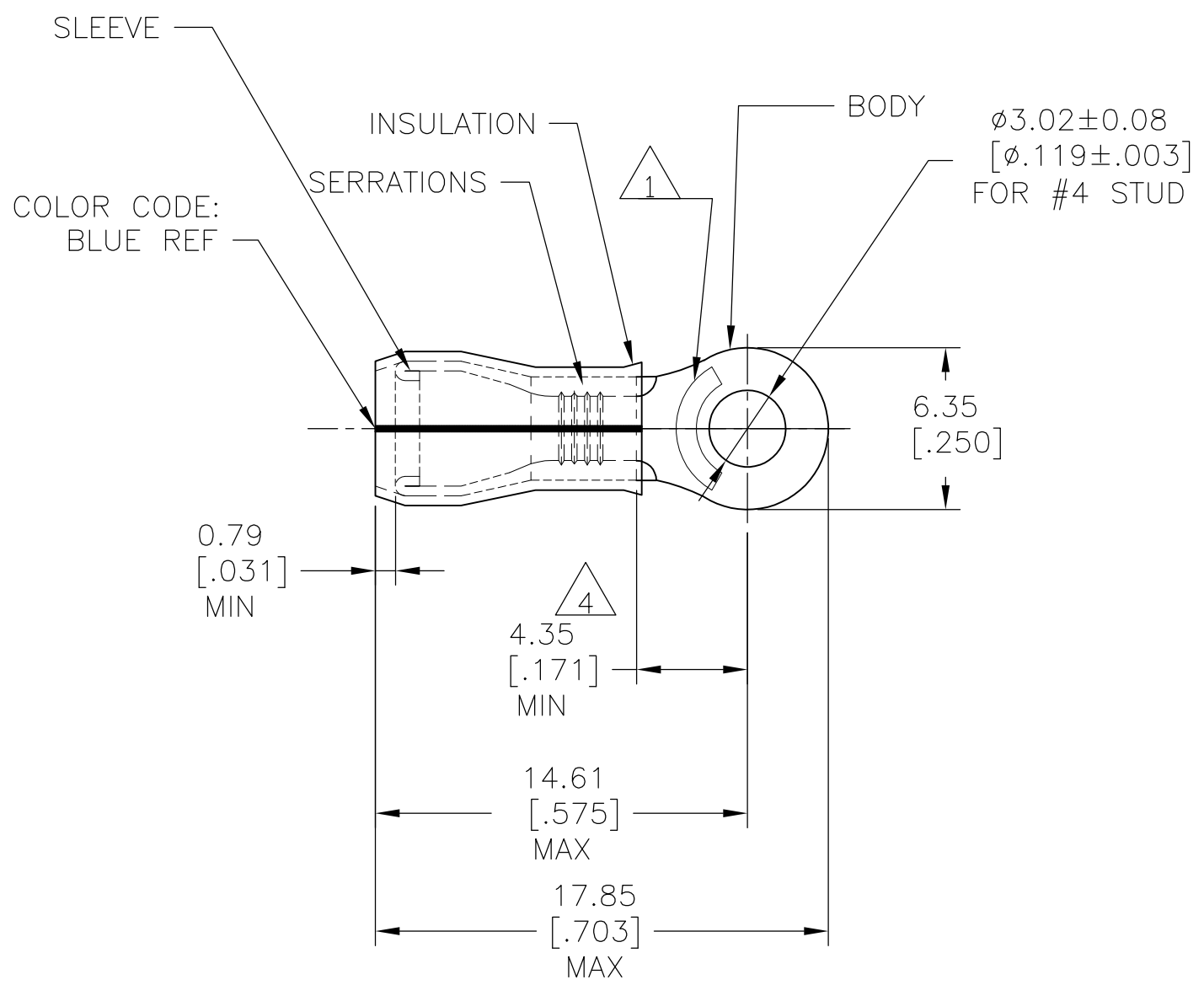


THIS DRAWING IS UNPUBLISHED. RELEASED FOR PUBLICATION  
 © COPYRIGHT - By - ALL RIGHTS RESERVED.

LOC	DIST	REVISIONS					
		P	LTR	DESCRIPTION	DATE	DWN	APVD
G	14		N3	REVISED PER ECO-12-007718	08MAY12	KH	DR



- 1 STAMP AMP 16-14\* APPROX AS SHOWN
- 2 WIRE INSULATION DIA: 2.67-3.81[.105-.150]
- 3 TONGUE MATERIAL THK: 0.79±0.05[.031±.002]
- 4 APPLIES FROM EDGE OF METAL WIRE BARREL TO CENTER OF STUD HOLE.
- 5 NOTE DELETED
- 6 MEETS M7928/4-152, CLASS 1 & 2  
MEETS M7928/13-152, CLASS 1 & 2

1000	LOOSE PIECE	BODY: COPPER PER ASTM B152 TIN/LEAD (93-7) PLATE PER ASTM B545 ( 3% MIN LEAD CONTENT) SLEEVE: COPPER PER ASTM B152 TIN/LEAD (93-7) PLATE PER ASTM B545 ( 3% MIN LEAD CONTENT) INSULATION: PVF2, COLOR-NATURAL	53414-1 6
QTY	PACKAGE TYPE	MATERIAL & FINISH	PART NO

AMP INCORPORATED CUSTOMER SERVICE SYSTEMS		MAX RECOMMENDED OPERATING TEMPERATURE: 150°C [302°F] MAX
FOR ADDITIONAL PRODUCT INFORMATION OR COPIES OF DRAWINGS AND TECHNICAL DOCUMENTS	PRODUCT INFORMATION CENTER 1-800-522-6752	VOLTAGE RATING: N/A
FOR APPLICATION TOOLING INFORMATION	TOOLING ASSISTANCE CENTER 1-800-722-1111	CIRCULAR MIL AREA: 1.04-2.62mm² [2,050-5,180] STRANDED
FOR ORDER ENTRY	1-800-526-5142	THIS DRAWING IS A CONTROLLED DOCUMENT FOR AMP INCORPORATED. IT IS SUBJECT TO CHANGE AND THE CONTROLLING ENGINEERING ORGANIZATION SHOULD BE CONTACTED FOR THE LATEST REVISION.

THIS DRAWING IS A CONTROLLED DOCUMENT.		DWN JR RUTH 25OCT07	TE Connectivity	
DIMENSIONS: mm [INCHES]	TOLERANCES UNLESS OTHERWISE SPECIFIED:	CHK T MICHELUTTI 25OCT07		
	0 PLC ± -	APVD T MICHELUTTI 25OCT07	NAME TERMINAL, RING TONGUE, PVF2, P.I.D.G. WIRE SIZE: 16-14 AWG	
	1 PLC ± -	PRODUCT SPEC	SIZE	CAGE CODE
MATERIAL SEE TABLE	2 PLC ± -	APPLICATION SPEC	DRAWING NO A300779 C-53414	
	3 PLC ± 0.20[.008]	WEIGHT	RESTRICTED TO	
FINISH SEE TABLE	4 PLC ± -	CUSTOMER DRAWING		
	ANGLES ± -	SCALE	SHEET	REV
		4:1	1 OF 1	N3