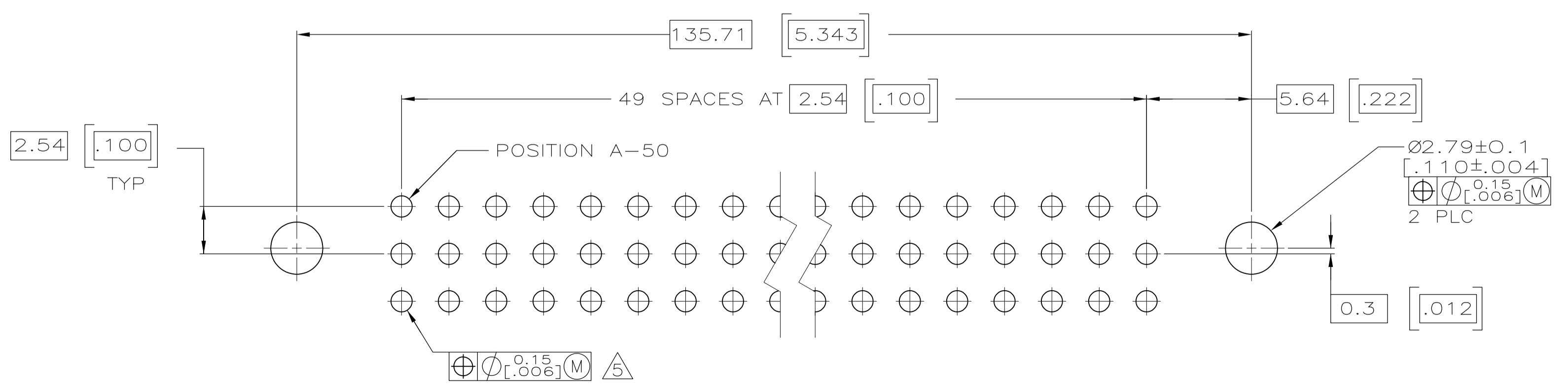
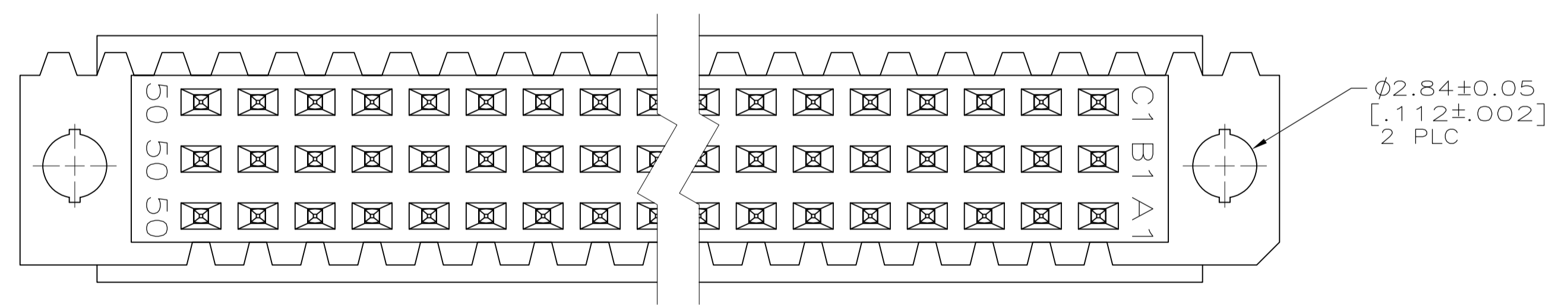
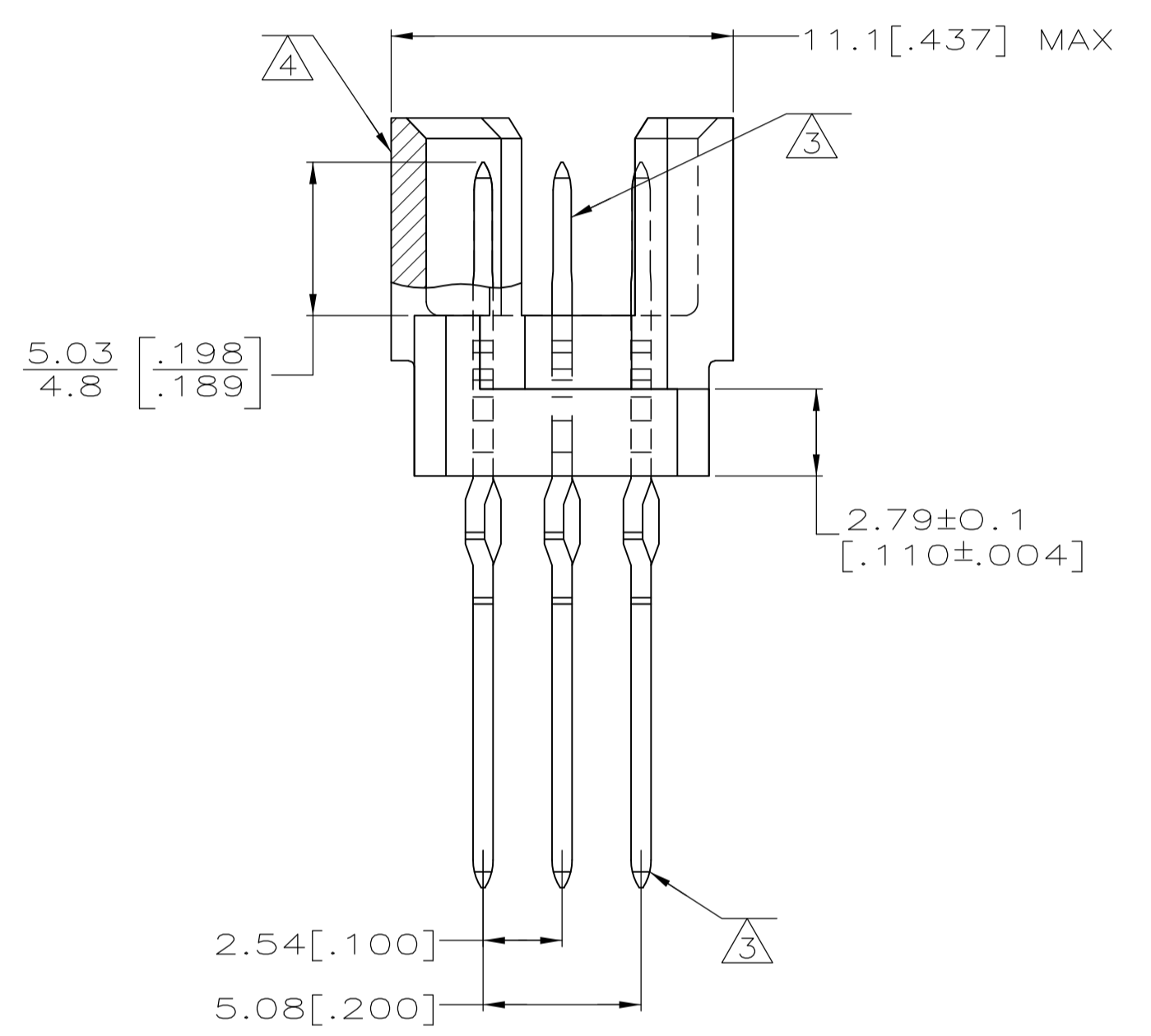
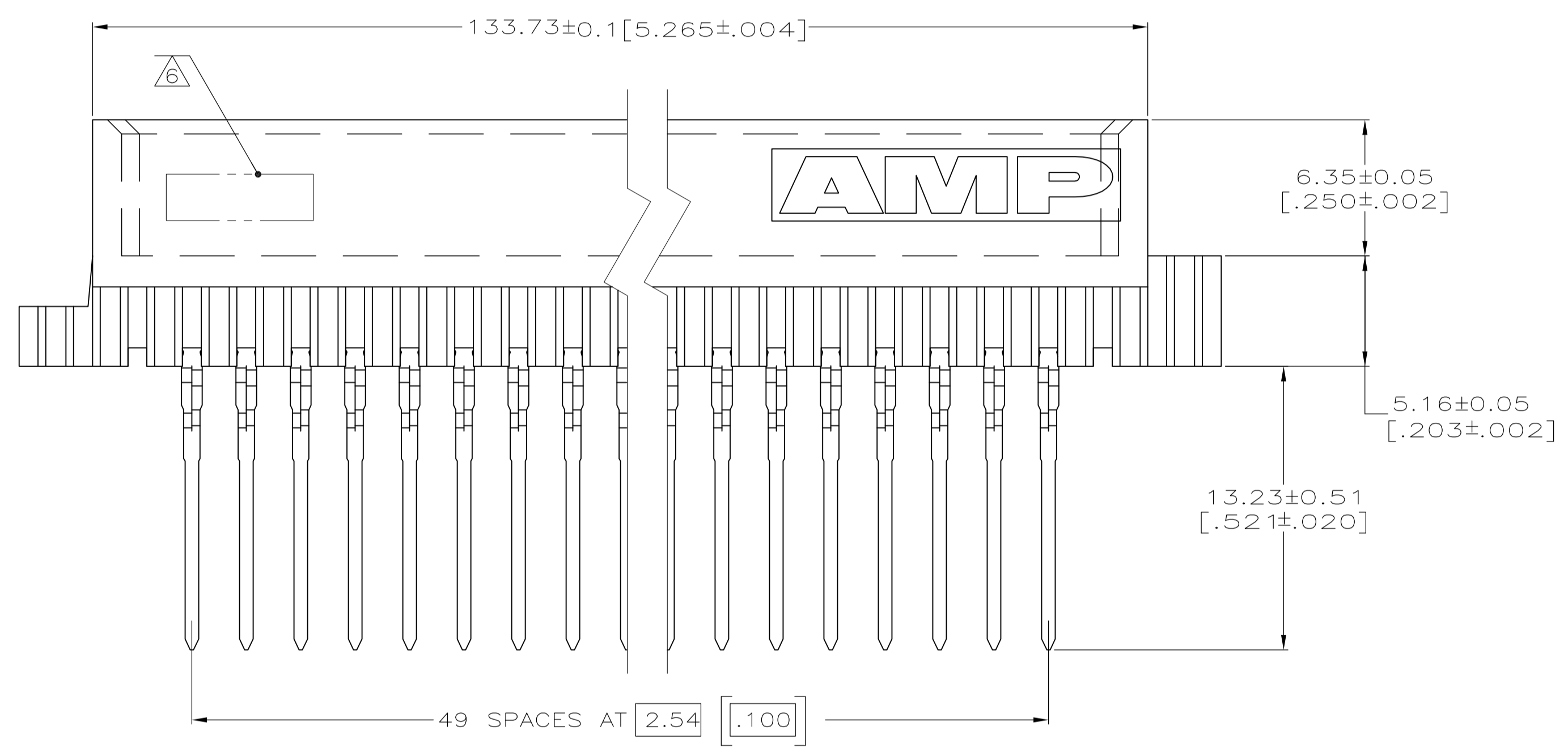


- ① HOUSING MATERIAL: GLASS-FILLED POLYMER.
- ② POST MATERIAL: COPPER ALLOY.
- ③ POST FINISH: DIN 41612 CLASS 2 IN CONTACT AREA. TIN PLATE ON POSTS.
- ④ MARKING ON THIS SIDE.
- ⑤ ACTION PIN POSTS REQUIRE 2.36[.093] MINIMUM THICK PC BOARD. RECOMMENDED PC BOARD HOLES ARE 1.151[.0453] DIA PLATED THROUGH WITH 0.02-0.08[.001-.003] COPPER AND 0.008[.0003] MINIMUM TIN-LEAD PLATING. FINISHED HOLE AFTER PLATING, 0.94-1.09[.037-.043] DIA.
- ⑥ PART NUMBER, DATE CODE MARKED THIS APPROXIMATE AREA.



PC BOARD LAYOUT

1-50	X	X	X	150	5650923-5
POSITIONS LOADED	C	B	A	NO. OF LOADED POSITION	ASSY PART NUMBER

THIS DRAWING IS A CONTROLLED DOCUMENT.

DIMENSIONS: mm [INCHES]	TOLERANCES UNLESS OTHERWISE SPECIFIED:	DIN 1 POLIGNONE	OSMAYOS
0 PLC ± -	1 PLC ± -	2 SHARPE	OSMAYOS
2 PLC ± -	3 PLC ± 0.13[.005]	3 SHARPE	OSMAYOS
4 PLC ± -	ANGLES ± -	PRODUCT SPEC	NAME
MATERIAL	FINISH	APPLICATION SPEC	SIZE
		WEIGHT	CAGE CODE
			DRAWING NO
			RESTRICTED TO
			SCALE
			SHEET
			REV

PRELIMINARY

STE IE Connectivity

ASSEMBLY, PIN, EUROCARD, TYPE R, 150 POSITION, 13.23[.521] PRESS-FIT POSTS

A1 00779 C=5650923

CUSTOMER DRAWING SCALE 5:1 SHEET 1 OF 1 REV A