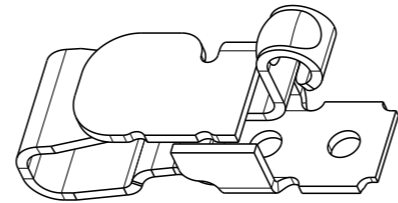
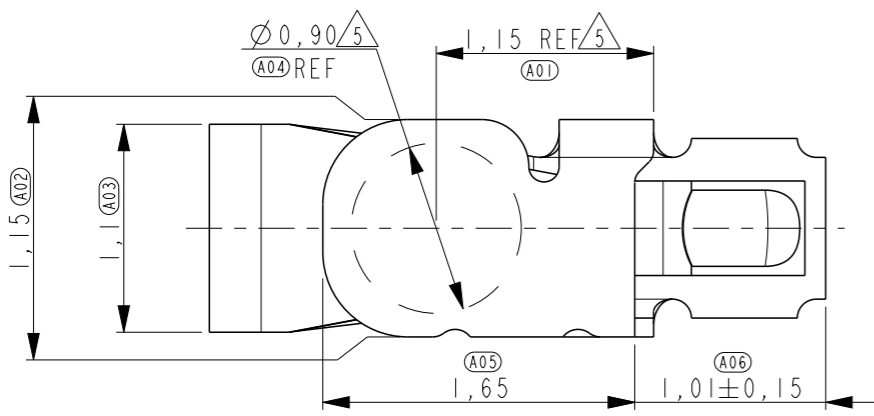
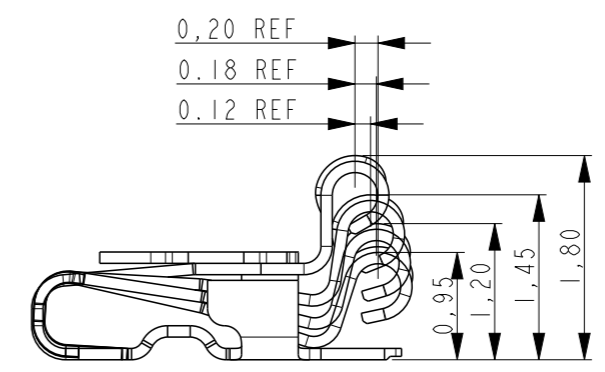


THIS DRAWING IS UNPUBLISHED. RELEASED FOR PUBLICATION. ALL RIGHTS RESERVED.

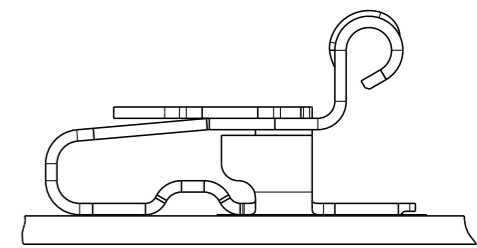
LOC	DIST	REVISIONS				
P	LTR	DESCRIPTION	DATE	DWN	APVD	
ES	00	A1	ADD DEFORMED VIEW	24DEC2012	T.Z S.Y	



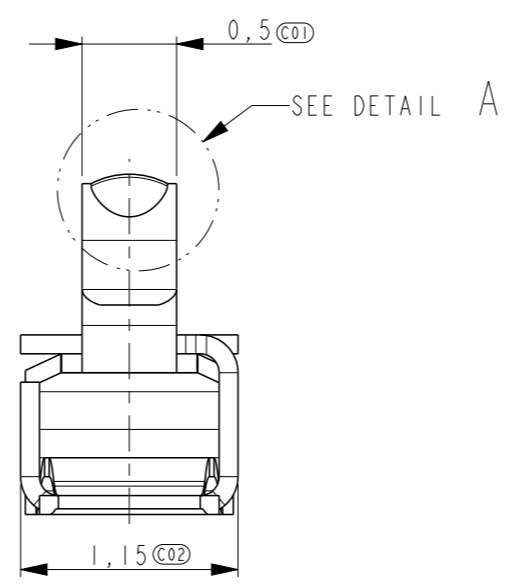
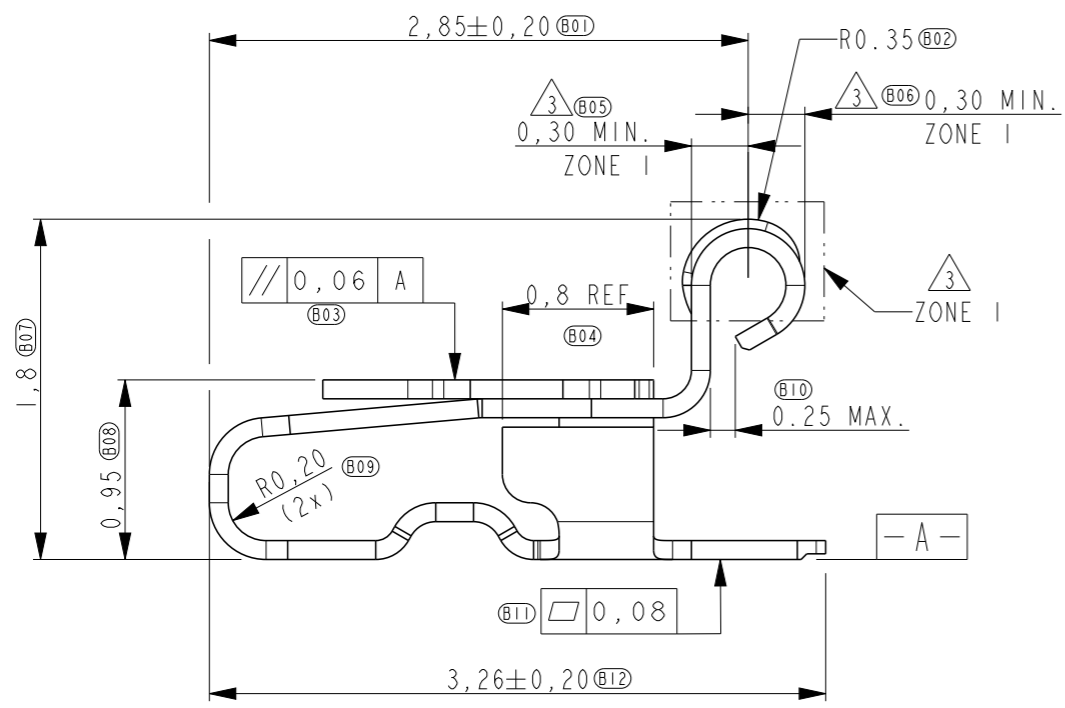
SCALE 15:1



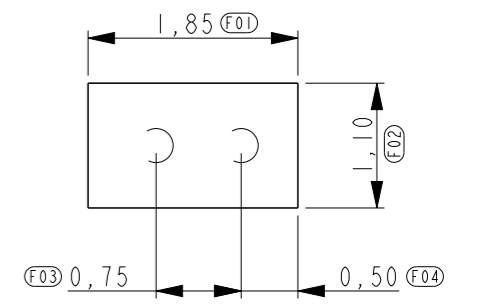
REFERENCE DEFORMED VIEW



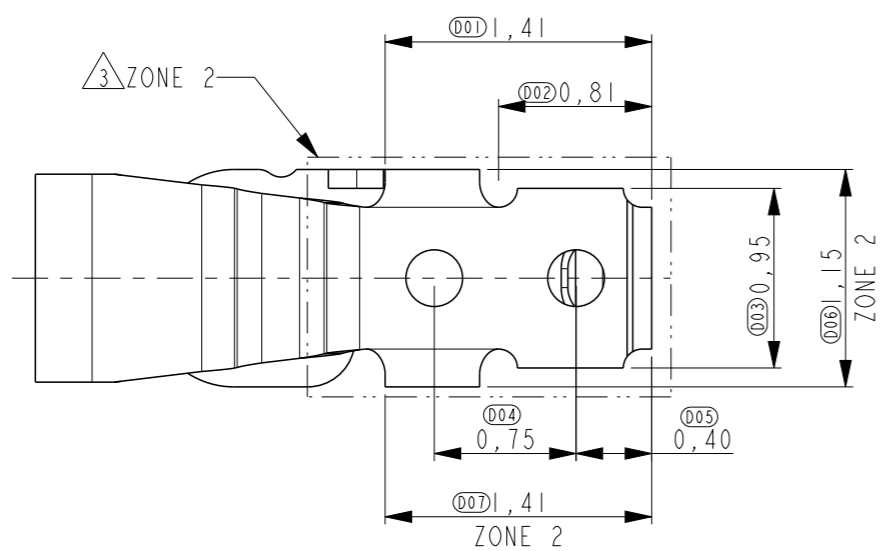
SCALE 15:1  
REFERENCE VIEW FOR COMPONENT PLACEMENT



DETAIL A  
SCALE 50:1



SCALE 15:1  
RECOMMENDED PWB LAY-OUT(±0.05)  
DASHED CIRCLES ARE THE LOCATION OF THE SPRING FINGER BOTTOM HOLES



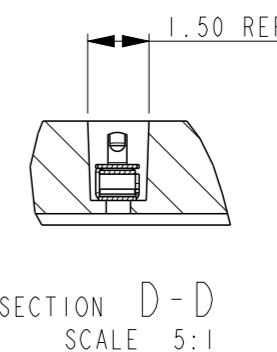
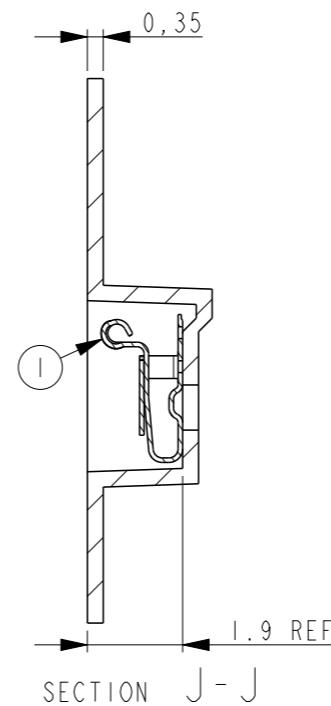
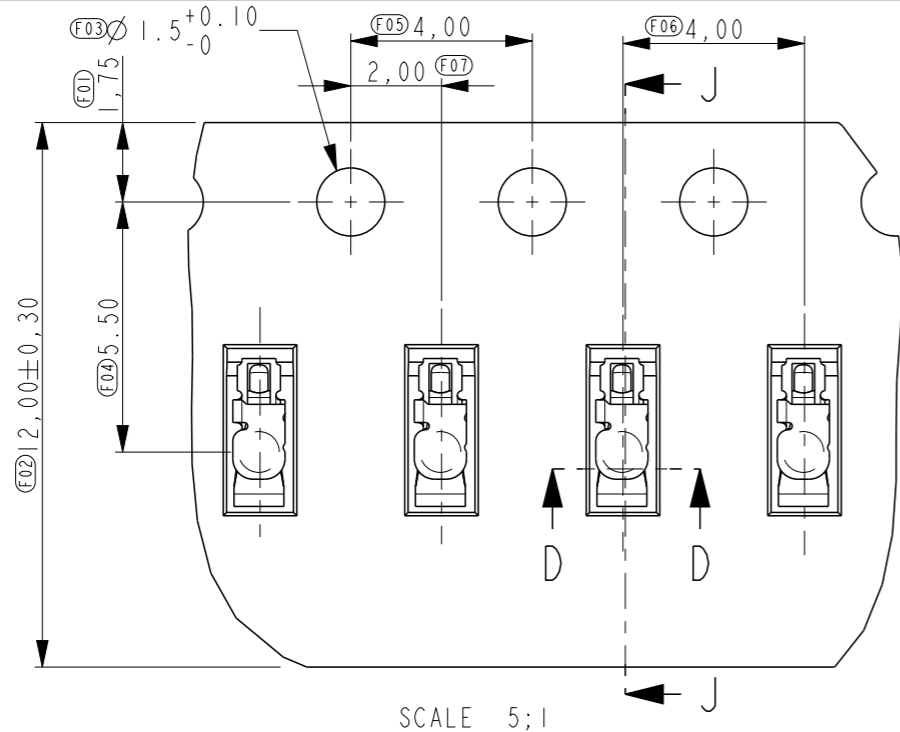
- 1 PART NUMBER: 1551572-5 AS SHOWN.
- 2 MATERIAL: STAINLESS STEEL.
- 3 PLATING: 1,3um MIN. NICKEL UNDERLAYER ALL OVER  
ZONE 1: 0,30um MIN. GOLD  
ZONE 2: 0,01-0,2um GOLD FLASH
- 4 NORMAL FORCE: 0.6±0.2N AT THE NORMAL HEIGHT 1.2MM.
- 5 INDICATED SURFACE TO BE USED AS PICK AND PLACE SURFACE.

THIS DRAWING IS A CONTROLLED DOCUMENT.		DWN 06July2010 Tony Zhang	TE Connectivity		
DIMENSIONS: mm		CHK 06July2010 Xiang Xu			
TOLERANCES UNLESS OTHERWISE SPECIFIED:		APVD 06July2010 Steven Yao	NAME SPRING FINGER H=1,8		
0 PLC ±0.2 1 PLC ±0.1 2 PLC ±0.1 3 PLC ±0.05 4 PLC ± ANGLES ±5°		PRODUCT SPEC 108-115008-3	APPLICATION SPEC -		RESTRICTED TO -
MATERIAL 2		FINISH 3	SIZE A3	CAGE CODE 00779	DRAWING NO C=1551572
CUSTOMER DRAWING			SCALE 25:1	SHEET 1 OF 2	REV A1

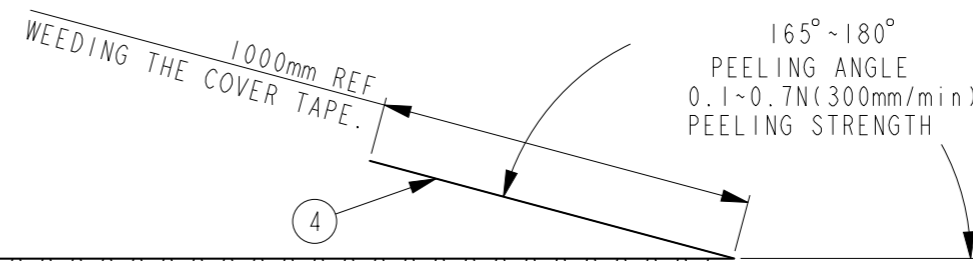
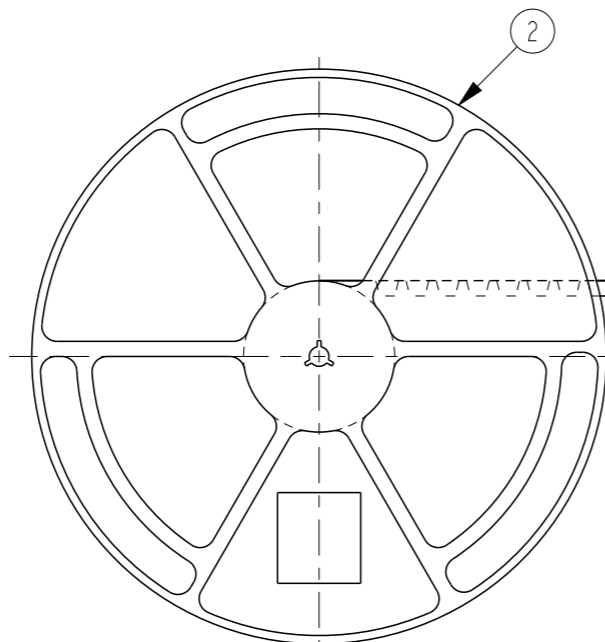
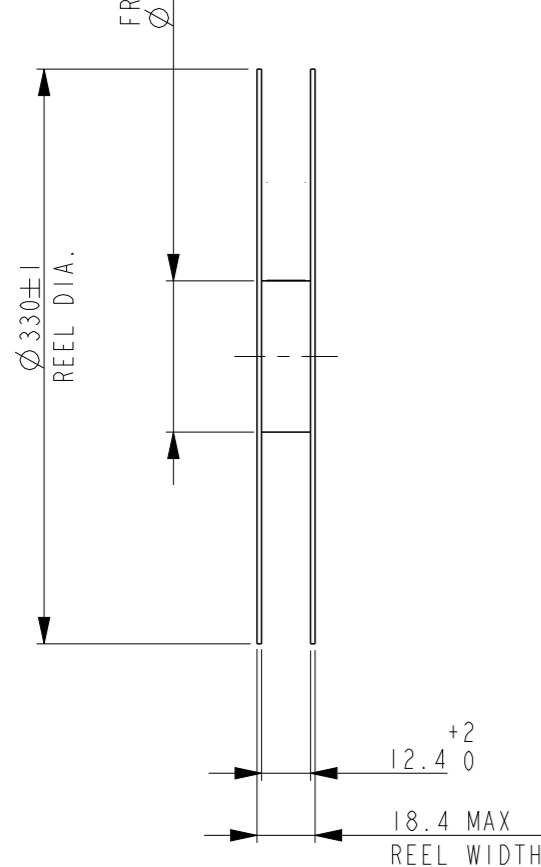
THIS DRAWING IS UNPUBLISHED. RELEASED FOR PUBLICATION  
 © COPYRIGHT - BY - ALL RIGHTS RESERVED.

LOC ES DIST 00

REVISIONS					
P	LTR	DESCRIPTION	DATE	DWN	APVD
-	-	SEE SHEET 1	-	-	-



SCALE 5:1



I	COVER TAPE	④
I	EMBOSS	③
I	PLASTIC REEL	②
6000	SPRING FINGER	①
QTY	DESCRIPTION	ITEM

300 REF WITHOUT CHARGE      WITH PRODUCT CHARGE 6000EA/REEL      WITHOUT CHARGE 100~125HOLES

PACKAGING REEL AS SHOWN

THIS DRAWING IS A CONTROLLED DOCUMENT.		DWN		TE Connectivity NAME SPRING FINGER H=1,8	
DIMENSIONS: mm		CHK			
TOLERANCES UNLESS OTHERWISE SPECIFIED:		APVD			
0 PLC ±0.2 1 PLC ±0.1 2 PLC ±0.1 3 PLC ±0.05 4 PLC ± ANGLES ±5°		PRODUCT SPEC			
MATERIAL		FINISH		APPLICATION SPEC	
				WEIGHT	
				SIZE A3	
				CAGE CODE 00779	
				DRAWING NO. C-1551572	
				RESTRICTED TO	
				SCALE 25:1	
				SHEET 2 OF 2	
				REV A1	