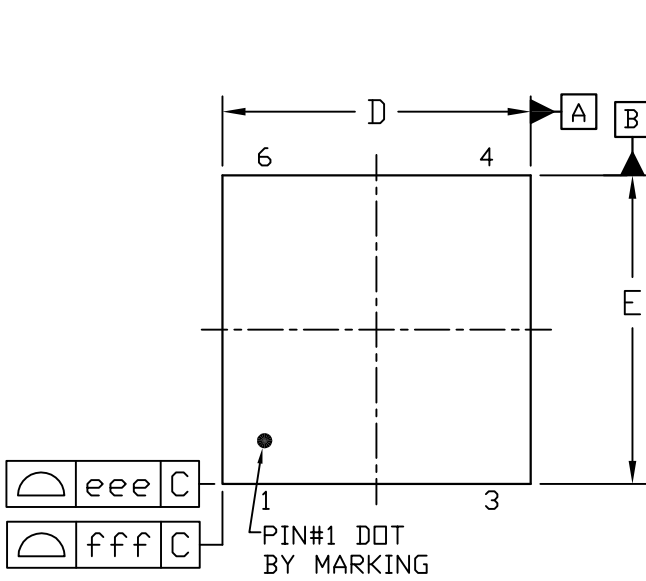
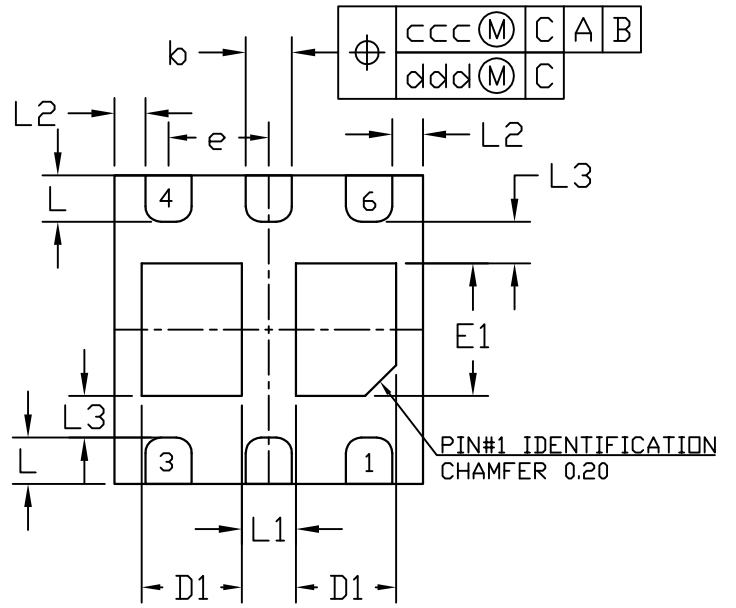




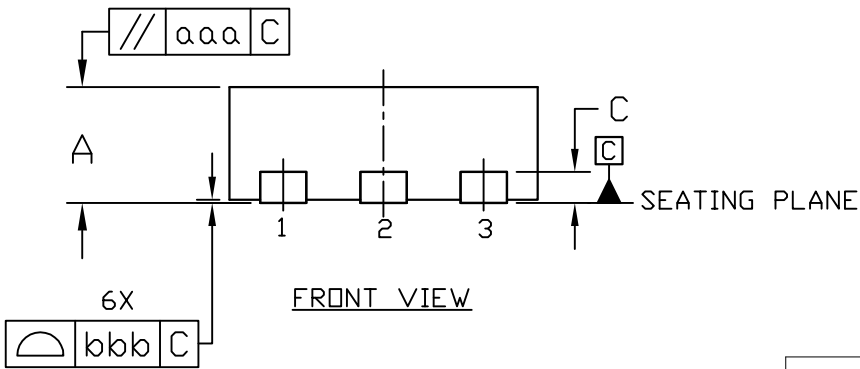
DFN2x2_6L_EP2_S PACKAGE OUTLINE



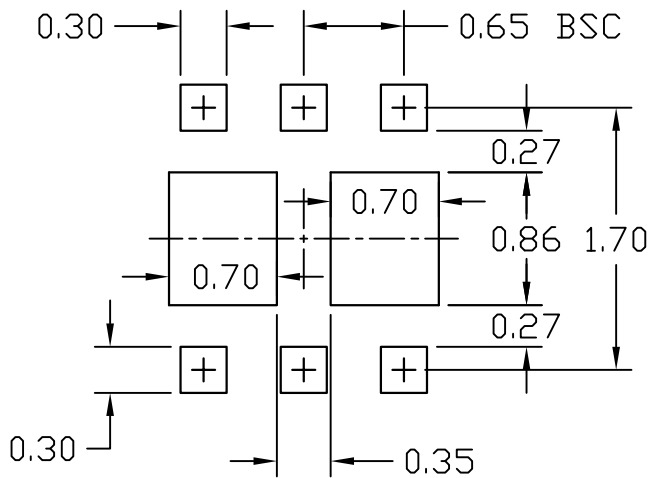
TOP VIEW



BOTTOM VIEW



RECOMMENDED LAND PATTERN



UNIT: mm

SYMBOLS	DIMENSIONS IN MILLIMETERS			DIMENSIONS IN INCHES		
	MIN	NOM	MAX	MIN	NOM	MAX
A	0.70	0.75	0.80	0.028	0.030	0.031
b	0.25	0.30	0.35	0.010	0.012	0.014
c	0.20 Ref.			0.008 Ref.		
D	1.90	2.00	2.10	0.075	0.079	0.083
D1	0.620	0.650	0.680	0.024	0.026	0.027
E	1.90	2.00	2.10	0.075	0.079	0.083
E1	0.76	0.86	0.96	0.030	0.034	0.038
e	0.65 BSC			0.026 BSC		
L	0.25	0.30	0.35	0.010	0.012	0.014
L1	0.320	0.350	0.380	0.013	0.014	0.015
L2	0.170	0.200	0.230	0.007	0.008	0.009
L3	0.240	0.270	0.300	0.009	0.011	0.012
aaa	---	0.100	---	---	0.004	---
bbb	---	0.080	---	---	0.003	---
ccc	---	0.100	---	---	0.004	---
ddd	---	0.050	---	---	0.002	---
eee	---	0.150	---	---	0.006	---
fff	---	0.150	---	---	0.006	---

NOTE
1. CONTROLLING DIMENSION IS MILLIMETER.
CONVERTED INCH DIMENSIONS ARE NOT NECESSARILY EXACT.