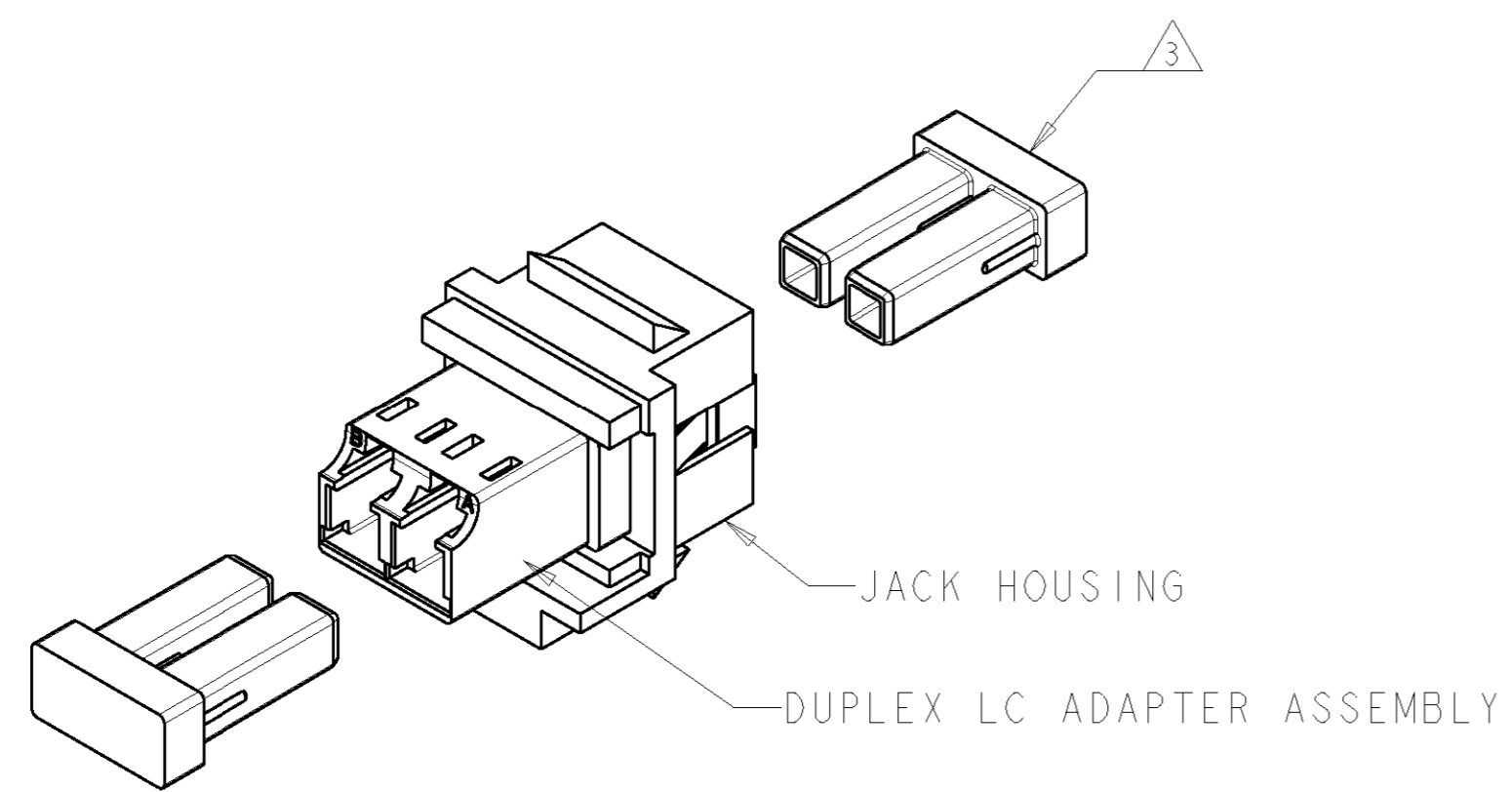
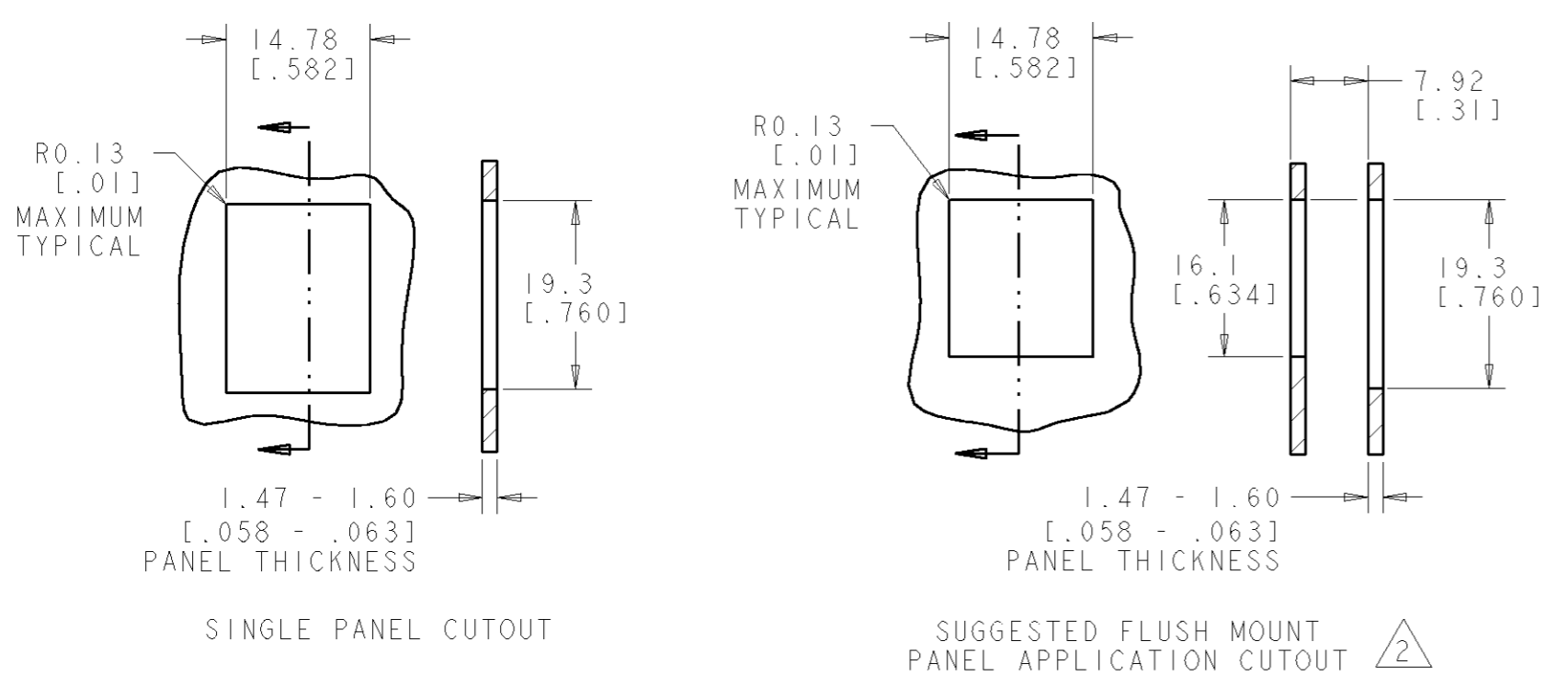
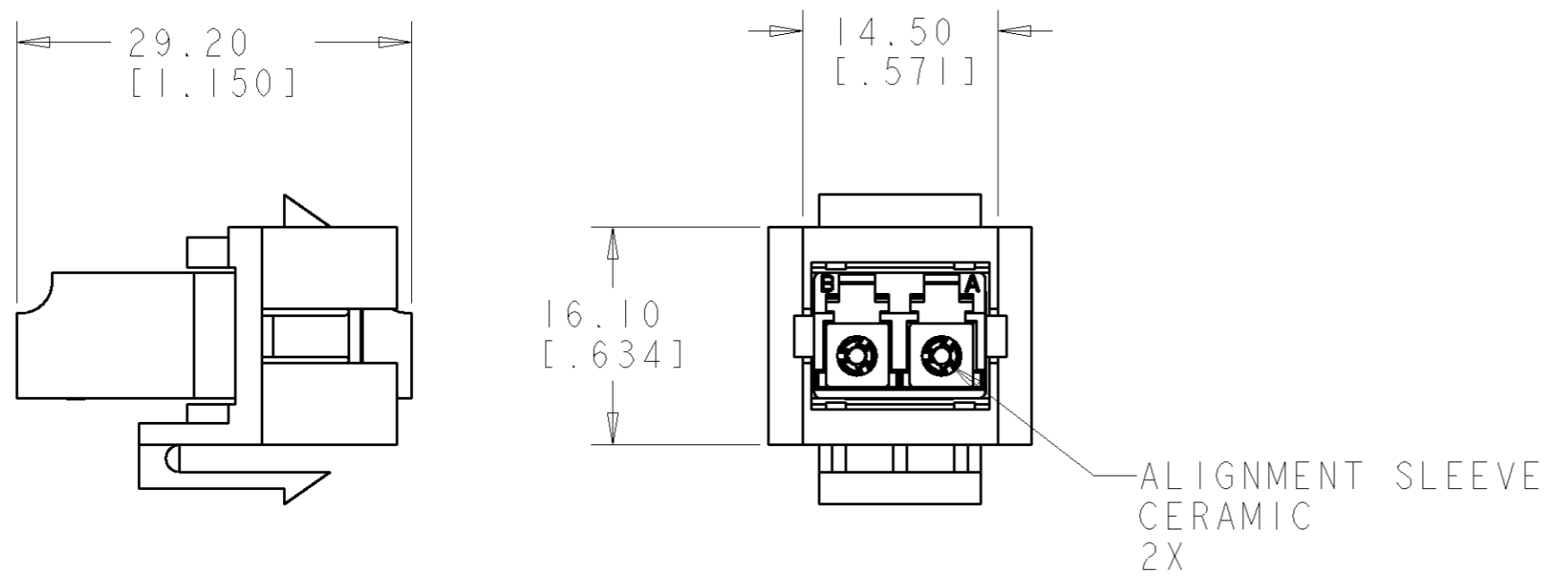


THIS DRAWING IS UNPUBLISHED. RELEASED FOR PUBLICATION 20  
 © COPYRIGHT 20 BY TYCO ELECTRONICS CORPORATION. ALL RIGHTS RESERVED.

LOC	DIST	REVISIONS					
HM	00	P	LTR	DESCRIPTION	DATE	DWN	APVD
			A	NSD06-126	17NOV2006	JM	GB



- ① MATERIAL:  
 JACK HOUSING - ABS HIGH IMPACT UL94V-0 MOLDING COMPOUND. COLOR- LIGHT ALMOND.  
 LC DUPLEX ADAPTER ASSEMBLY HOUSING: POLYETHERIMIDE UL94V-0, COLOR- BLUE  
 RETENTION CLIPS: STAINLESS STEEL
- ② THESE TWO SUGGESTED CUTOUT OPENINGS ARE USED IN TANDEM WITH DUAL FRONT AND BACK CUTOUTS.
- ③ DUST PLUGS SHOWN NOT ASSEMBLED BUT COME ASSEMBLED TO DUPLEX LC ADAPTER.



1933173-1  
 PART NUMBER

THIS DRAWING IS A CONTROLLED DOCUMENT FOR TYCO ELECTRONICS CORPORATION. IT IS SUBJECT TO CHANGE AND THE CONTROLLING ENGINEERING ORGANIZATION SHOULD BE CONTACTED FOR THE LATEST REVISION.		DWN J MCNEAL 17NOV2006	Tyco Electronics Harrisburg, PA 17105-3608	
DIMENSIONS: MM [INCHES]		CHK G BOWMAN 17NOV2006	NAME DUPLEX, LC ADAPTER, SINGLE MODE, KL SERIES	
TOLERANCES UNLESS OTHERWISE SPECIFIED: 0 PLC ± 1 PLC ± 2 PLC ± 3 PLC ± 4 PLC ± ANGLES ± FINISH		APVD G BOWMAN 17NOV2006	PRODUCT SPEC - APPLICATION SPEC -	
MATERIAL ① -		WEIGHT -	SIZE A2	CAGE CODE 00779
CUSTOMER DRAWING		DRAWING NO. 1933173	RESTRICTED TO -	
SCALE 2:1		SHEET 1 OF 1		REV A