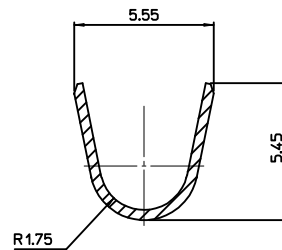
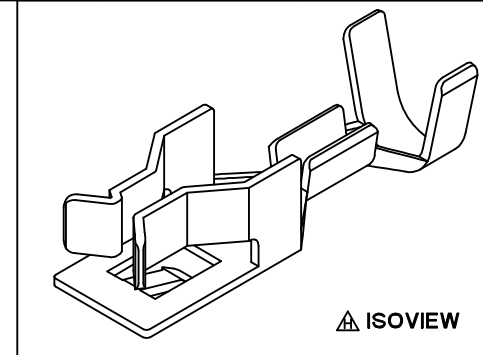


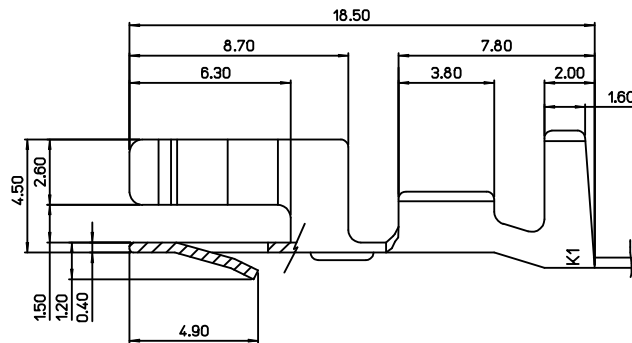
SECTION B-B'



SECTION A-A'



ISOVIEW

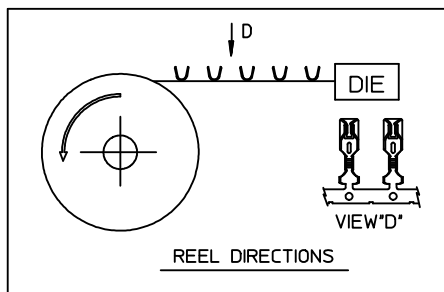


NOTES

- 1.MATERIAL : BRASS(C26000)
- 2.FINISH : PRE-TIN PLATING
- 3.APPLICABLE HOUSING SOCKET : 68147,49505
- 4.APPLICABLE WIRE SEAL : 49505-9001
- 5.WEDGE BULB INSERTION FORCE : 3.5 Kgf MAX.
WEDGE BULB RETENSION FORCE : 0.5 Kgf MIN.
- 6.APPLICABLE WEDGE BASE CAP : W2.1X9.5d(W5W,W16W)
- 7.APPLICABLE WIRE SIZE : 0.5~0.85mm²

<TABLE 1>

354779002	35477-9002
MATERIAL NO.	ORDER NO.



REVISED
 EC NO: KOR2010-0021
 DRWINEOK IM 2009/08/07
 CHKD:BCYOON 2009/08/07
 APPR:YUNS IKK IM 2009/08/07

QUALITY SYMBOLS	DESCRIPTION
▽=0	
◻=0	

GENERAL TOLERANCES (UNLESS SPECIFIED)		DIMENSION STYLE		SCALE	DESIGN UNITS	THIRD ANGLE PROJECTION
		MM ONLY		5:1	METRIC	
	mm	INCH	DRAWN BY	DATE	TITLE	
4 PLACES	± ---	± ---	SMKIM	2005/08/09	WEDGE TERMINAL	
3 PLACES	± ---	± ---	CHECKED BY	DATE		
2 PLACES	± 0.2	± ---	BCYOON	2005/08/09		
1 PLACE	± ---	± ---	APPROVED BY	DATE		
	ANGULAR ± 1 °		CWLEE	2005/08/09		
DRAFT WHERE APPLICABLE MUST REMAIN WITHIN DIMENSIONS			MATERIAL NO.	DOCUMENT NO.	SHEET NO.	
			SEE TABLE 1	SD-35477-001	1 OF 1	

SIZE	A3
THIS DRAWING CONTAINS INFORMATION THAT IS PROPRIETARY TO MOLEX INCORPORATED AND SHOULD NOT BE USED WITHOUT WRITTEN PERMISSION	

MOLEX INCORPORATED	
SD-35477-001	
1 OF 1	