

Flush-type connector - SACC-CI-M12FS-4CON-L 90 SH SCO - 1432444

Please be informed that the data shown in this PDF Document is generated from our Online Catalog. Please find the complete data in the user's documentation. Our General Terms of Use for Downloads are valid (<http://download.phoenixcontact.com>)



Sensor/actuator flush-type connector, socket, 4-pos., A-coded, shielded, with angled solder connection, only contact insert



Key commercial data

Packing unit	1 PCE
Minimum order quantity	20 PCE
Weight per Piece (excluding packing)	5.0 GRM
Custom tariff number	85366990
Country of origin	Germany

Technical data

Ambient conditions

Ambient temperature (operation)	-25 °C ... 85 °C (Plug / socket)
Degree of protection	IP67

General

Rated current at 40°C	4 A
Rated voltage	250 V
Number of positions	4
Contact resistance	≤ 3 mΩ
Insulation resistance	≥ 100 MΩ
Coding	A - standard
Standards/regulations	M12 connector IEC 61076-2-101
Status display	No
Surge voltage category	II
Pollution degree	3
Connection method	Solder pins

Flush-type connector - SACC-CI-M12FS-4CON-L 90 SH SCO - 1432444

Technical data

General

Insertion/withdrawal cycles	> 100
Mounting type	PCB mounting

Material

Inflammability class according to UL 94	V0
Contact material	CuZn
Contact surface material	Au
Contact carrier material	PA 66
Sealing material	FKM / EPDM

Classifications

eCl@ss

eCl@ss 4.0	27060306
eCl@ss 4.1	27060306
eCl@ss 5.0	27061801
eCl@ss 5.1	27260701
eCl@ss 6.0	27279220
eCl@ss 7.0	27440103
eCl@ss 8.0	27440103

ETIM

ETIM 3.0	EC002061
ETIM 4.0	EC002061
ETIM 5.0	EC002061

UNSPSC

UNSPSC 6.01	31251501
UNSPSC 7.0901	31251501
UNSPSC 11	31251501
UNSPSC 12.01	31251501
UNSPSC 13.2	31251501

Approvals

Approvals

Flush-type connector - SACC-CI-M12FS-4CON-L 90 SH SCO - 1432444

Approvals

Approvals

UL Recognized / GOST / GOST

Ex Approvals

Approvals submitted

Approval details

UL Recognized	
mm ² /AWG/kcmil	
26-20	
Nominal current I _N	
4 A	
Nominal voltage U _N	
250 V	

GOST	
------	--

GOST	
------	--

Accessories

Accessories

Panel mounting base

Housing screw connection - SACC-M12-SCO NUT - 1552243



M12 SPEEDCON housing screw connection for M12 female inserts, with O-ring, for all SPEEDCON-capable THR and wave soldering contact carriers

Flush-type connector - SACC-CI-M12FS-4CON-L 90 SH SCO - 1432444

Accessories

Housing screw connection - SACC-M12-SCO NUT L 90 - 1432460



M12-SPEEDCON housing screw connection for M12 female inserts, with flat gasket, for all Speedcon-compatible THR and wave soldering contact carriers

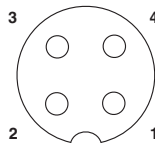
Housing screw connection - SACC-M12 NUT PRESS - 1437889



Housing screw connection for two-piece M12 connectors for the reflow soldering process.

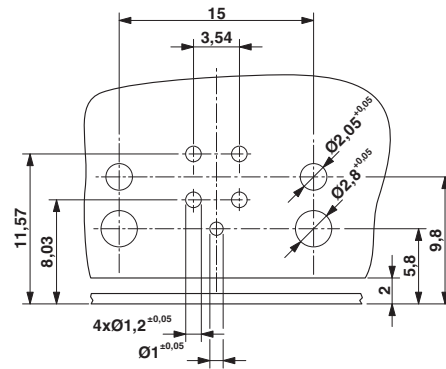
Drawings

Schematic diagram



Pin assignment M12 socket, 4-pos., A-coded, view female side

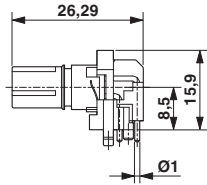
Drilling diagram



Drilling diagram only valid in connection with the SACC-M12-SCO NUT L90 housing (order no. 1432460)

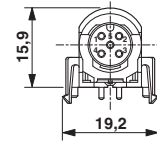
Flush-type connector - SACC-CI-M12FS-4CON-L 90 SH SCO - 1432444

Dimensioned drawing



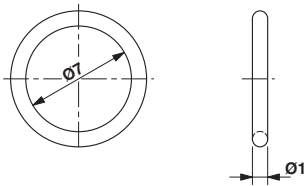
M12 flush-type connector, socket, contact carrier, side view

Dimensioned drawing



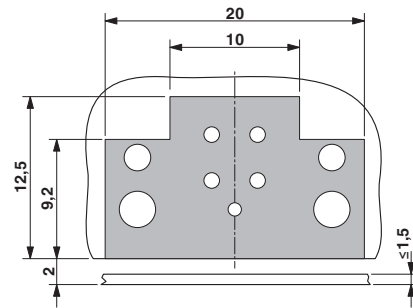
M12 flush-type connector, socket, contact carrier, front view

Dimensioned drawing



Optionally with O-ring (green) for tight seal when plugged in.
- the axial mating force of 80 N per connector may not be exceeded when using with assembled O-ring!
- Avoid radial forces!

Dimensioned drawing



Locked area on the PCB