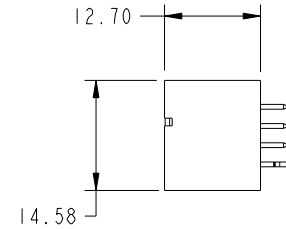
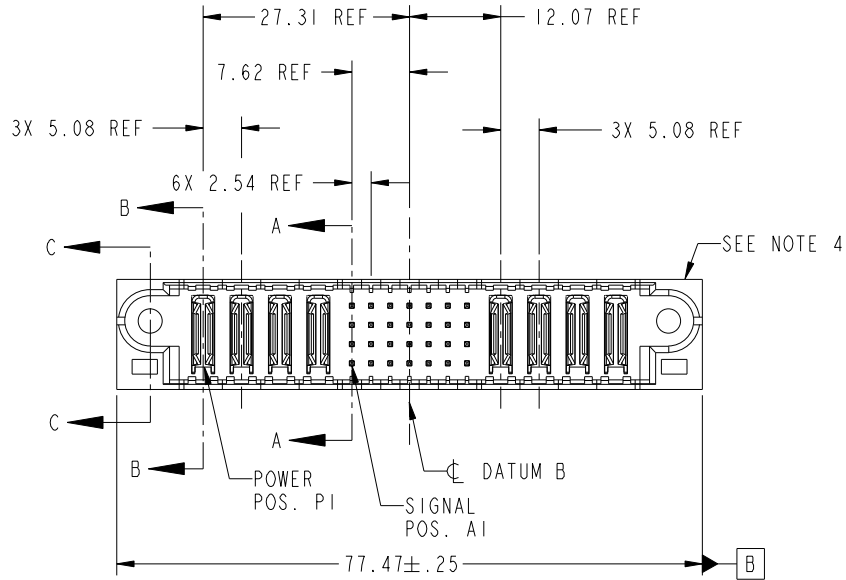


Tous droits strictement réservés. Reproduction ou communication a des tiers interdite sous quelque forme que ce soit sans autorisation écrite du propriétaire. Propriété de c.FCI. Droits de reproduction FCI.

All rights strictly reserved. Reproduction or issue to third parties in any form whatever is not permitted without written authority from the proprietor. Property of FCI. Copyright FCI.



PRODUCT NO.	ROWS	POWER				SIGNAL							POWER				E2	
		E1	P1	P2	P3	P4	1	2	3	4	5	6	7	P5	P6	P7		P8
51952-099-- NOTE ③	D C B A		PA	PA	PA	PA								PA	PA	PA	PA	



CODE	DIM "M" MATING LENGTH	CONTACT TYPE
PA	[N/A]	POWER
E	[6.86]	SIGNAL
HA	[N/A]	HOLD-DOWN

mat'l code				tolerances unless otherwise specified		CUSTOMER			
lfr	ecn no.	dr	date	linear	0.X ± 0.3	COPY		www.fciconnect.com	
A	DG06-0327	JUL1A	08/09/06	angles	0.XX ± 0.13	projection		title	
					0.XXX ± 0.051			4P + 28S + 4P VERTICAL SOLDER HEADER	
				dr	0° ± 2°	MM		product family	
				enrg	JULIA WANG 08/09/06	scale		PwrBlade	
				chr	RYAN YUAN 08/09/06	1:1		code	
				appd	BEER FU 08/09/06			213	
					JOSEPH HSIA 08/09/06			sheet	
sheet index	revision sheet	A 1	A 2	A 3	A 4			1 of 4	
								size	
								A 51952-099	

A

B

A

B

1 | 2

Pro/E

PDM: Rev: A

STATUS: Released

Printed: Dec 20, 2010

cage code 2856

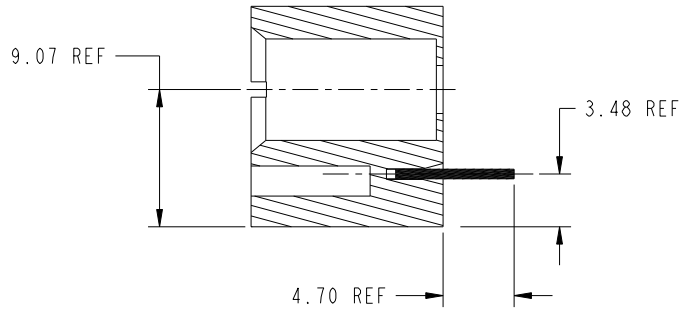
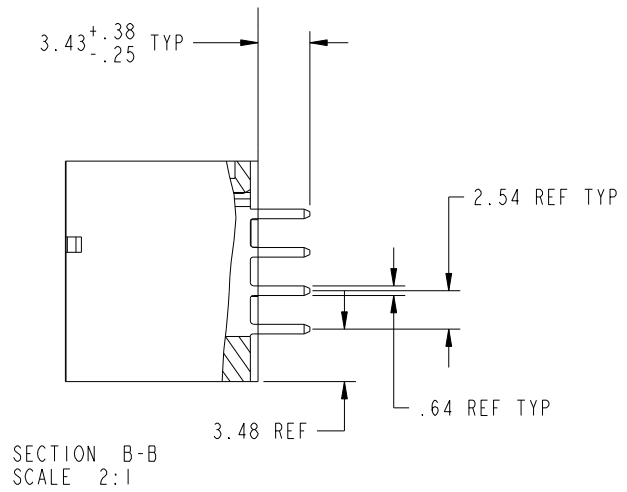
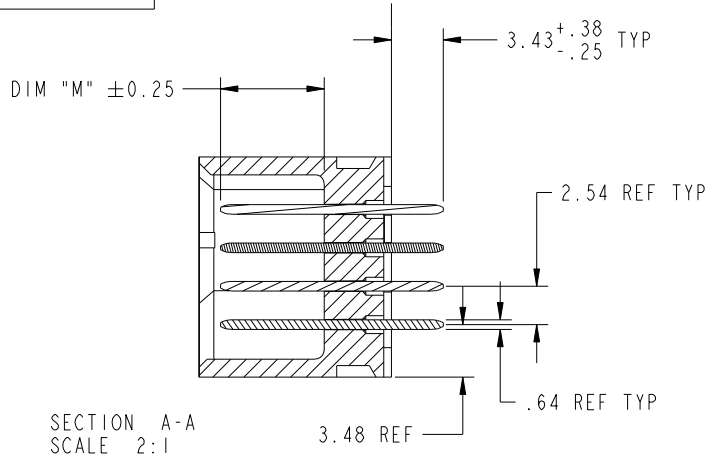
4

Tous droits strictement réservés. Reproduction ou communication a des tiers interdite sous quelque forme que ce soit sans autorisation écrite du propriétaire. Propriété de c.FCI. Droits de reproduction FCI.

All rights strictly reserved. Reproduction or issue to third parties in any form whatever is not permitted without written authority from the proprietor. Property of FCI. Copyright FCI.



PRODUCT NUMBER  
51952-099\_\_  
NOTE 3



SECTION C-C  
SCALE 2:1

mat'l code				tolerances unless otherwise specified		CUSTOMER		 www.fciconnect.com	
lir	ecn no.	dr	date	linear	0.X ±0.3	COPY		title	
A					0.XX ±0.13	projection		4P + 28S + 4P VERTICAL SOLDER HEADER	
					0.XXX ±0.051			product family	
				angles	0° ±2°	 MM		PwrBlade	
				dr	JULIA WANG 08/09/06	scale		size	code
				enr	RYAN YUAN 08/09/06	1:1		dwg no	213
				chr	BEER FU 08/09/06			A	sheet
				appd	JOSEPH HSIA 08/09/06				51952-099
sheet index	revision sheet								

cage code 2856

Pro/E

PDM: Rev: A

STATUS: Released

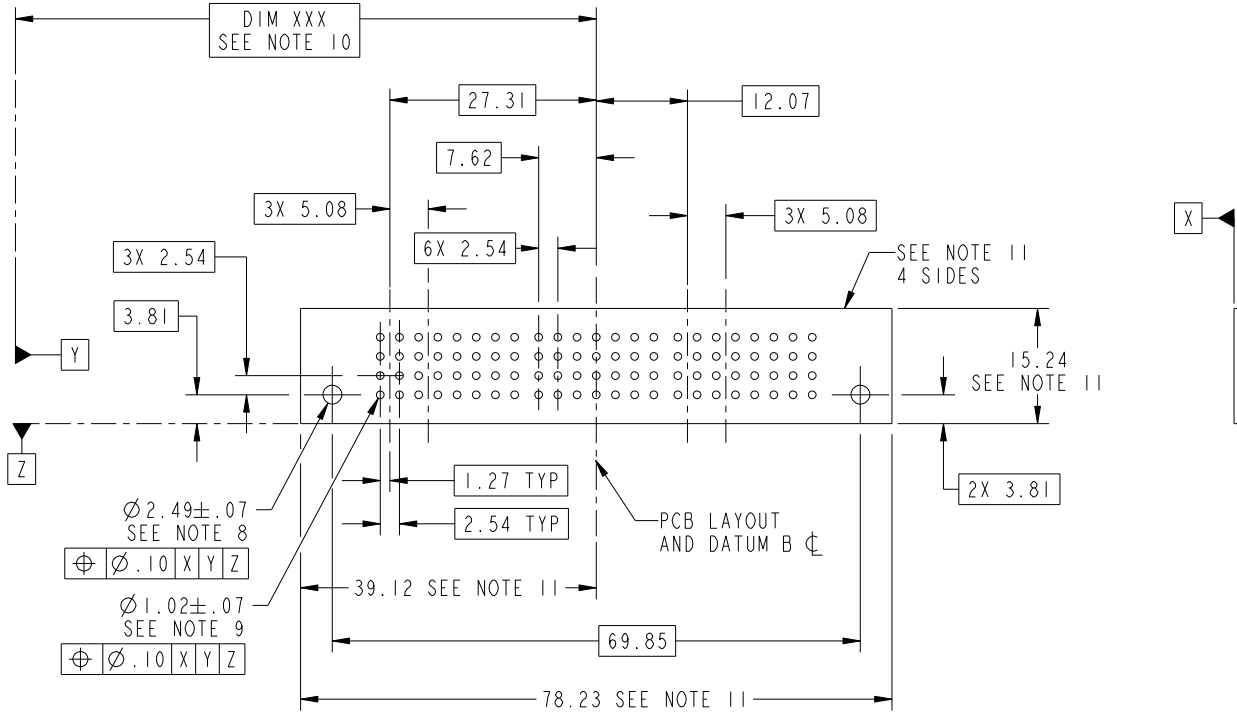
Printed: Dec 20, 2010

Tous droits strictement reserves. Reproduction ou communication a des tiers interdite sous quelque forme que ce soit sans autorisation ecrite du proprietaire. Propriete de c FCI. Droits de reproduction FCI.

All rights strictly reserved. Reproduction or issue to third parties in any form whatever is not permitted without written authority from the proprietor. Property of FCI. Copyright FCI.



PRODUCT NUMBER  
51952-099\_\_  
NOTE 3



mat'l code				tolerances unless otherwise specified		CUSTOMER		 www.fciconnect.com	
lir	ecn no.	dr	date	linear	0.X ±0.3	COPY		title	
A					0.XX ±0.13	projection		4P + 28S + 4P	
				angles	0.XXX ±0.051			VERTICAL SOLDER HEADER	
				dr	0° ±2°	MM		product family PwrBlade	
				enr	JULIA WANG 08/09/06	scale		code	
				chr	RYAN YUAN 08/09/06	1:1		213	
				appd	BEER FU 08/09/06			sheet	
					JOSEPH HSIA 08/09/06			3 of 4	
sheet index	revision sheet							cage code 2856	

A

A

B

B

1 | 2

3

4

1 | 2

Pro/E

PDM: Rev: A

STATUS: Released

Printed: Dec 20, 2010

Tous droits strictement réservés. Reproduction ou communication a des tiers interdite sous quelque forme que ce soit sans autorisation écrite du propriétaire. Propriété de c.FCI. Droits de reproduction FCI.

All rights strictly reserved. Reproduction or issue to third parties in any form whatever is not permitted without written authority from the proprietor. Property of FCI. Copyright FCI.



1 | 2

3

4

PRODUCT NUMBER

51952-099\_\_  
NOTE 3

NOTES:

1. DIMENSIONS AND TOLERANCES ARE IN ACCORDANCE WITH ASME Y14.5M, 1994 UNLESS OTHERWISE SPECIFIED.

CONNECTOR NOTES:

- ② HOUSING MATERIAL: UL 94 V-0 GLASS FILLED  
HIGH-TEMP THERMOPLASTIC  
POWER CONTACT MATERIAL: COPPER ALLOY  
SIGNAL PIN MATERIAL: COPPER ALLOY
- 3. PLATING:  
51952-099 ,51952-099LF PLATING SPEC. WAS SHOWN IN THE PRINT OF 10064183.

④ MANUFACTURER'S NAME, P/N, AND DATE CODE TO APPEAR ON THIS SURFACE.

5. PRODUCT SPECIFICATION GS-12-149.  
APPLICATION SPECIFICATION BUS-20-067.

6. PACKAGED IN TRAYS.

PCB NOTES:

- 7. ALL HOLE DIAMETERS ARE FINISHED HOLE SIZE.
- 8. MOUNTING HOLES, WHERE APPLICABLE, ARE UNPLATED.

⑨  $\varnothing 1.151 \pm 0.025$  DRILLED HOLES PLATED WITH  
0.008 MIN SnPb OR Sn OVER .001 [0.03]  
TO 0.08 Cu PLATING TO ACHIEVE  
 $\varnothing 1.02 \pm .07$  HOLE.

⑩ "DIM XXX" TO BE DETERMINED BY THE CUSTOMER.

⑪ CONNECTOR KEEP-OUT ZONE.

mat'l code				tolerances unless otherwise specified			CUSTOMER		FCI		www.fciconnect.com	
lfr	ecn no.	dr	date	linear	0.X ±0.3		COPY		projection	title		
A					0.XX ±0.13		④			4P + 28S + 4P		
					0.XXX ±0.051					VERTICAL SOLDER HEADER		
				angles	0° ±2°		MM		product family		code	
				dr	JULIA WANG	08/09/06	←→		PwrBlade		213	
				enr	RYAN YUAN	08/09/06	scale		size	dwg no	sheet	
				chr	BEER FU	08/09/06	1:1		A	51952-099	4 of 4	
				appd	JOSEPH HSIA	08/09/06						
sheet index	revision sheet											

1 | 2

Pro/E

PDM: Rev: A

STATUS: Released

Printed: Dec 20, 2010

cage code 2856

4