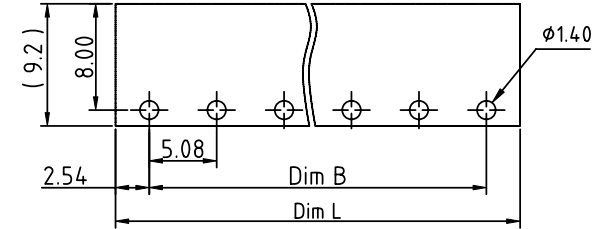
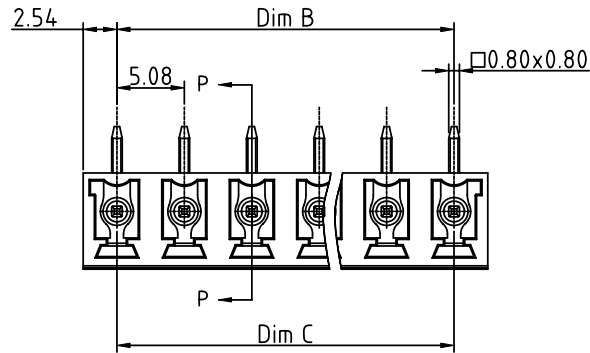
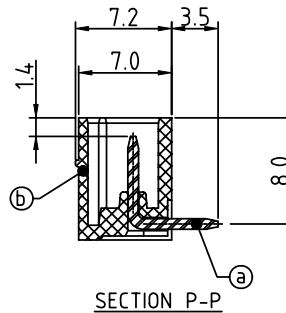
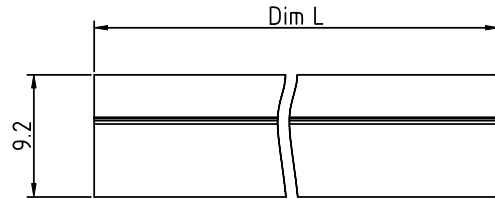


PRODUCT NUMBER	PITCH
VSxx51x100J0G	5.08 mm



RECOMMENDED P.C.B LAYOUT
TOP VIEW



SECTION P-P

Material:

- Item (a) Contact pin: Copper, Tin plated
- Item (b) Terminal(housing): Thermoplastic (UL94V-0)

Electrical:

- cULus
- Voltage rating: 300V
- Current rating: 8A
- Withstanding Voltage: 1.6 KV
- Operating temperature: -40°C to +115°C
- Soldering temperature: 260°C±5°C/5 Sec
- Safety Approval:

Dimension

Dim L	N×5.08
Dim B	(N-1)×5.08
Dim C	(N-1)×5.08

N=Number of poles

Poles	Tolerance
2p-5p	±0.15
6p-10p	±0.25
11p-15p	±0.30
16p-24p	±0.40

PART NO.: VS xx 51 x 1 00J0 G

Solid block	0	Black (RAL9005)	Color	RoHS compliant (lead<4%) In copper Alloy
No. of poles	2	Red (RAL3001/D)		
02	2 poles	3	Orange(RAL2011/P)	
03	3 poles	4	Yellow(RAL1018/A)	
...	...	5	Green(RAL6018/T)	
24	24 poles	6	Blue (RAL5015/A)	
		8	Grey(RAL7035/D)	
		9	White(RAL1102)	
		C	Green(RAL6018/U)	

mat'l. code		surface ASME Y14.5	tolerance ASME Y14.5	projection 	product family TERMINAL BLOCK
ltr	ecn no	dr	date	tolerances unless otherwise specified	title TERMINAL BLOCK
				angles $\frac{\phi}{E}$	PLUGGABLE SOCKET,CLOSE RIGHT-ANGLE
				$X \pm 1^*$	scale MM
		dr	EVIN ZHONG	042214	dwg no VSxx51x100J0G
		enr	EVIN ZHONG	042214	sheet 1 of 1
		chr	HANKE FENG	042214	size A4
		appd	SHI JUN	042214	type CUSTOMER Drawing
sheet index	revision sheet	A	1		