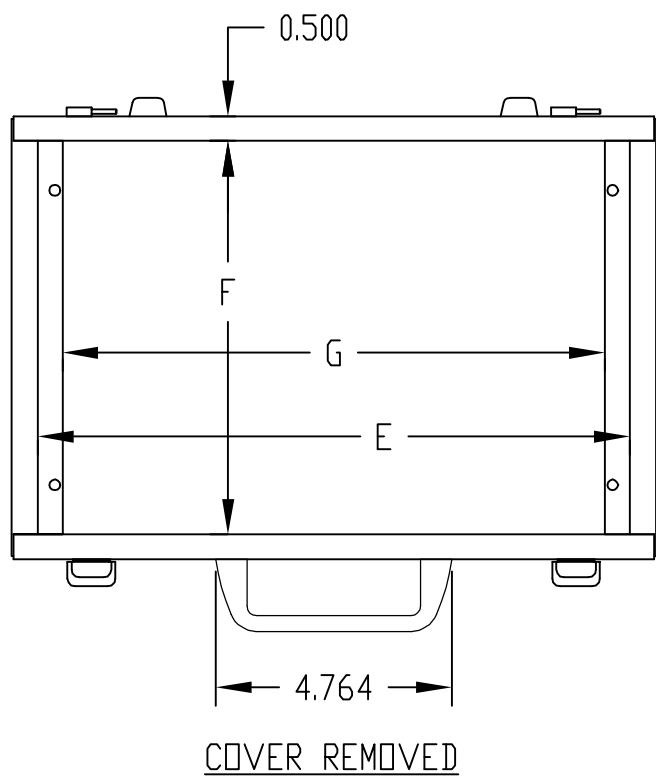
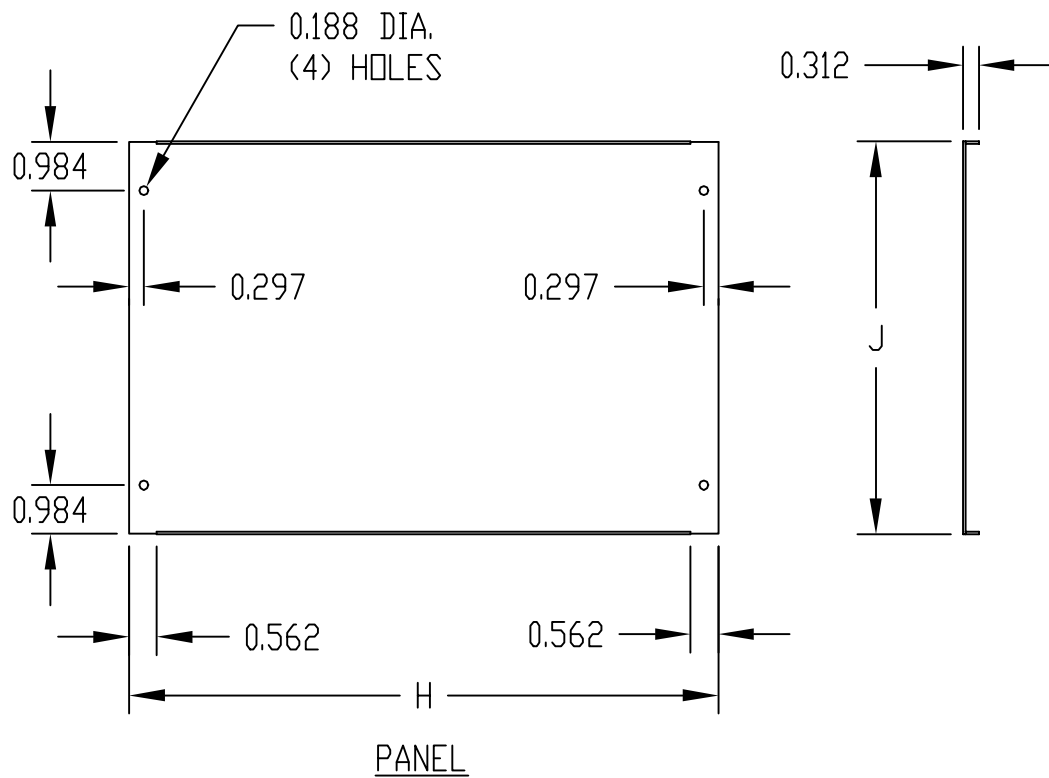
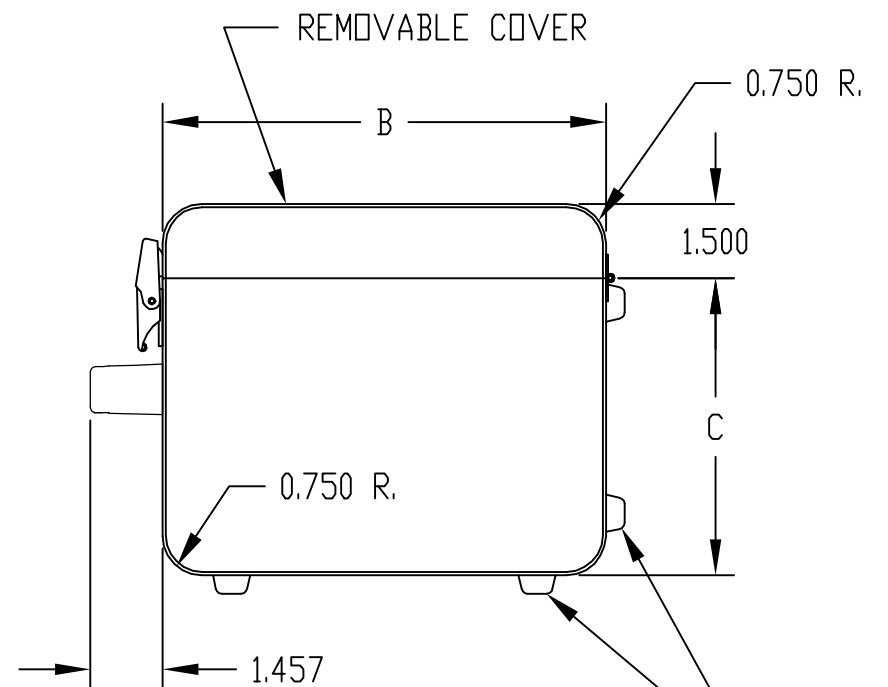
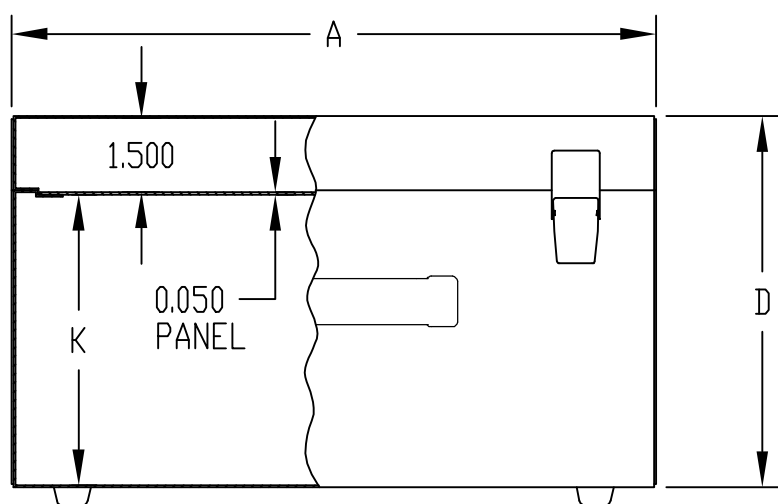


PART NAME	TRANSICASE	PART No.	TC-300 TO TC-303	REV. DATE	6-28-12
-----------	------------	----------	------------------	-----------	---------



**MATERIAL:**  
CASE BODY ASSEMBLY &  
COVER BODY ASSEMBLY \_\_\_\_ 0.040 THK. ALUMINUM  
PANEL \_\_\_\_ 0.050 THK. ALUMINUM  
HANDLE & FEET \_\_\_\_ PLASTIC  
CATCHES w/KEEPERS & HINGES \_\_\_\_ STEEL

**FINISH:**  
CASE BODY ASSEMBLY, COVER BODY ASSEMBLY &  
PANEL \_\_\_\_ ROYAL BLUE TEXTURED  
OR GRAY TEXTURED  
HANDLE & FEET \_\_\_\_ BLACK  
CATCHES w/KEEPERS & HINGES \_\_\_\_ NICKEL PLATED



(4) PLASTIC FEET ON CASE  
BOTTOM & (4) ON CASE BACK

PART No.	OVERALL				PANEL SPACE		G	PANEL		K
	A	B	C	D	E	F		H	J	
TC-300	10.062	7.000	4.500	6.000	9.000	5.938	8.000	8.968	5.938	4.375
TC-301	11.500	8.250	4.500	6.000	10.438	7.250	9.438	10.406	7.250	4.375
TC-302	13.000	9.000	6.000	7.500	11.938	7.938	10.938	11.906	7.938	5.875
TC-303	16.500	9.000	6.000	7.500	15.438	7.938	14.438	15.406	7.938	5.875