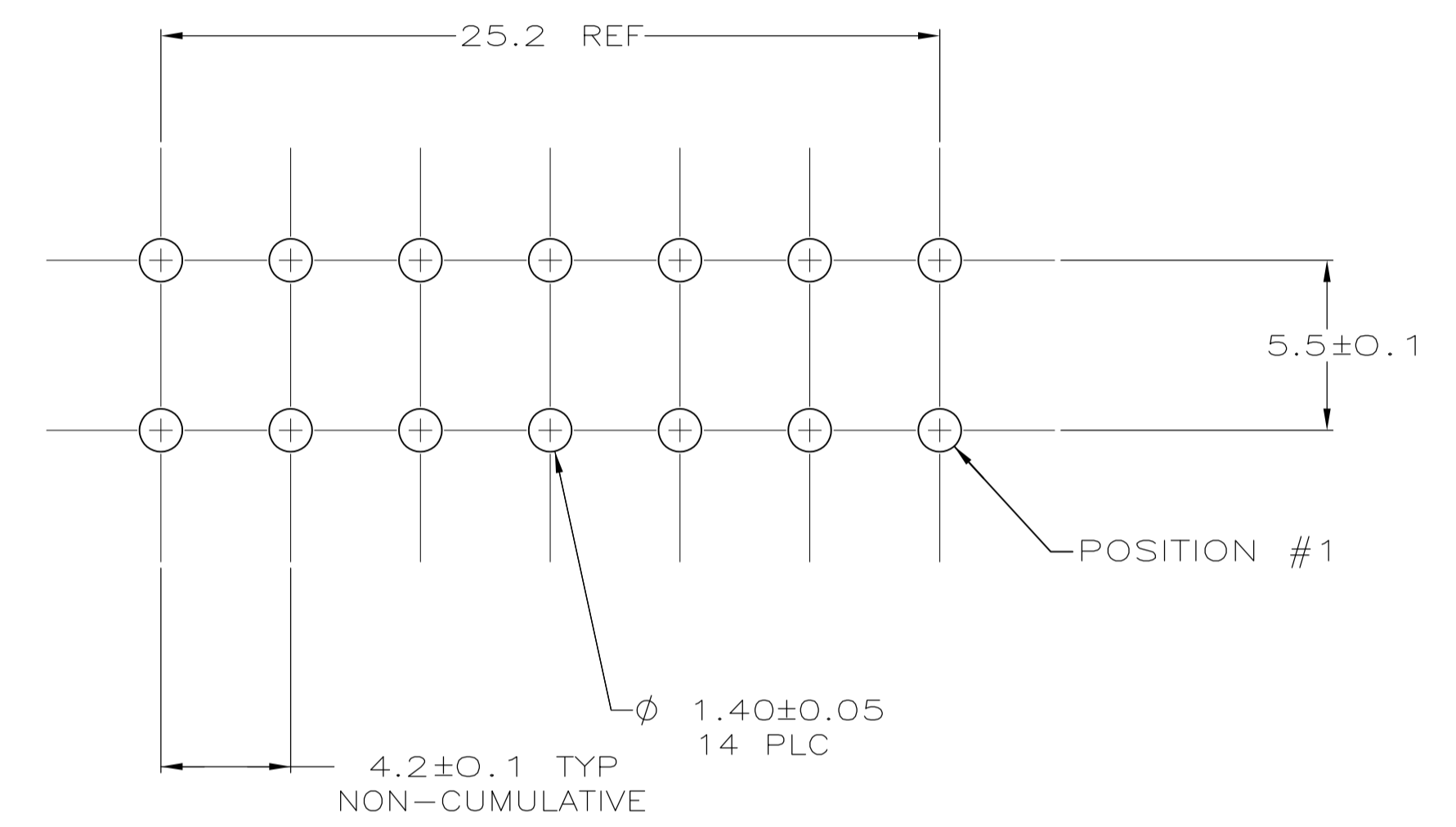
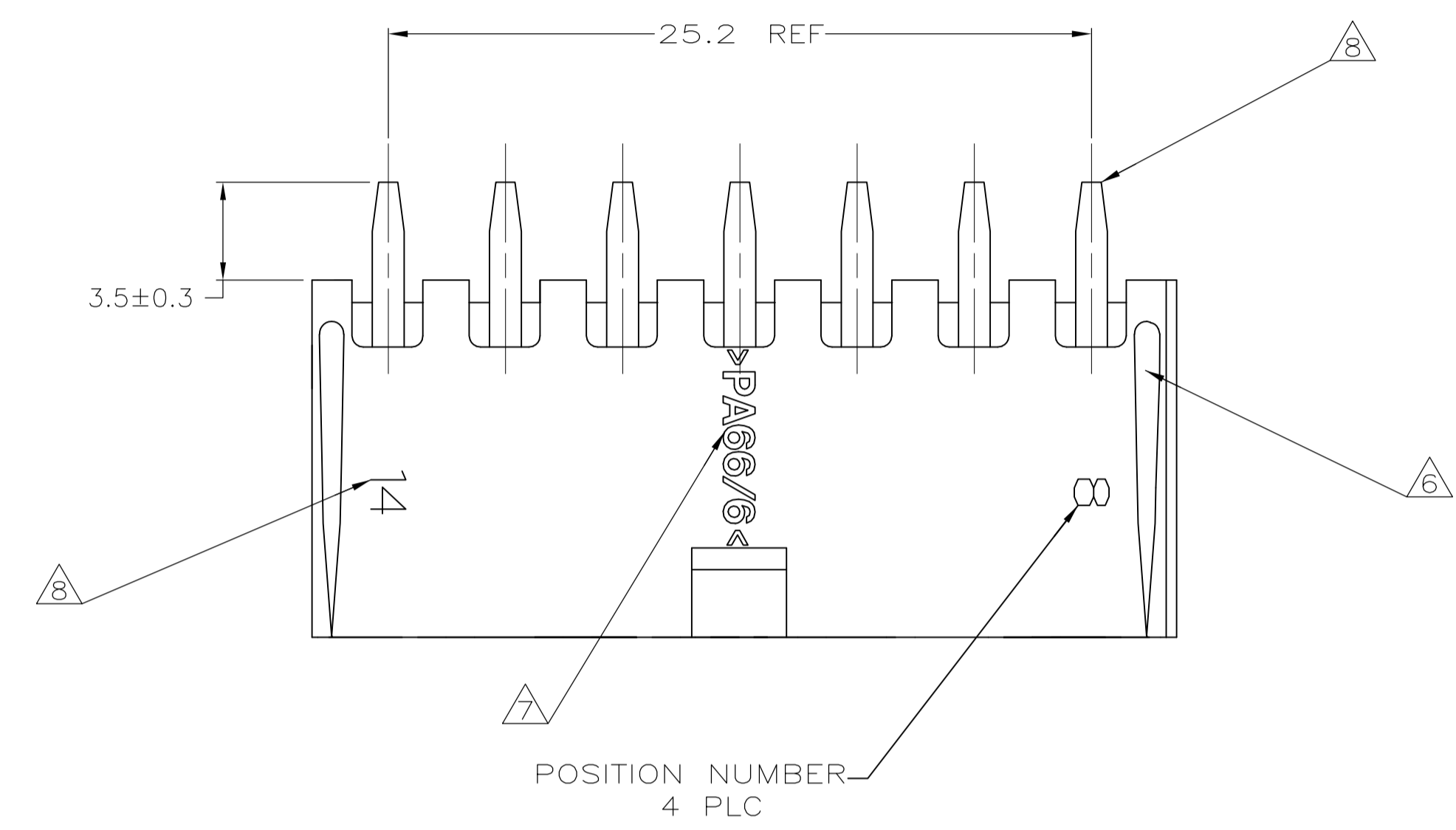
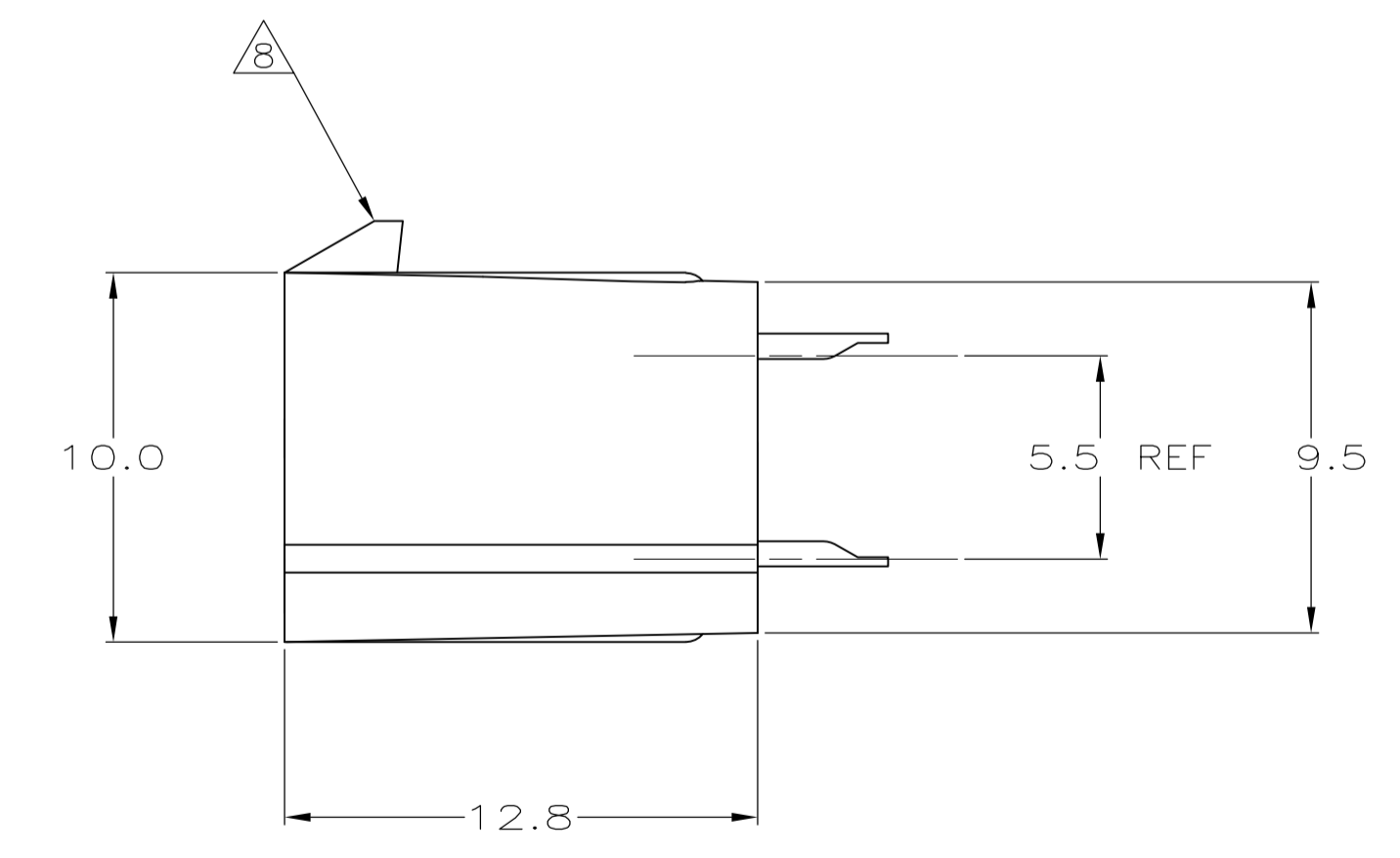
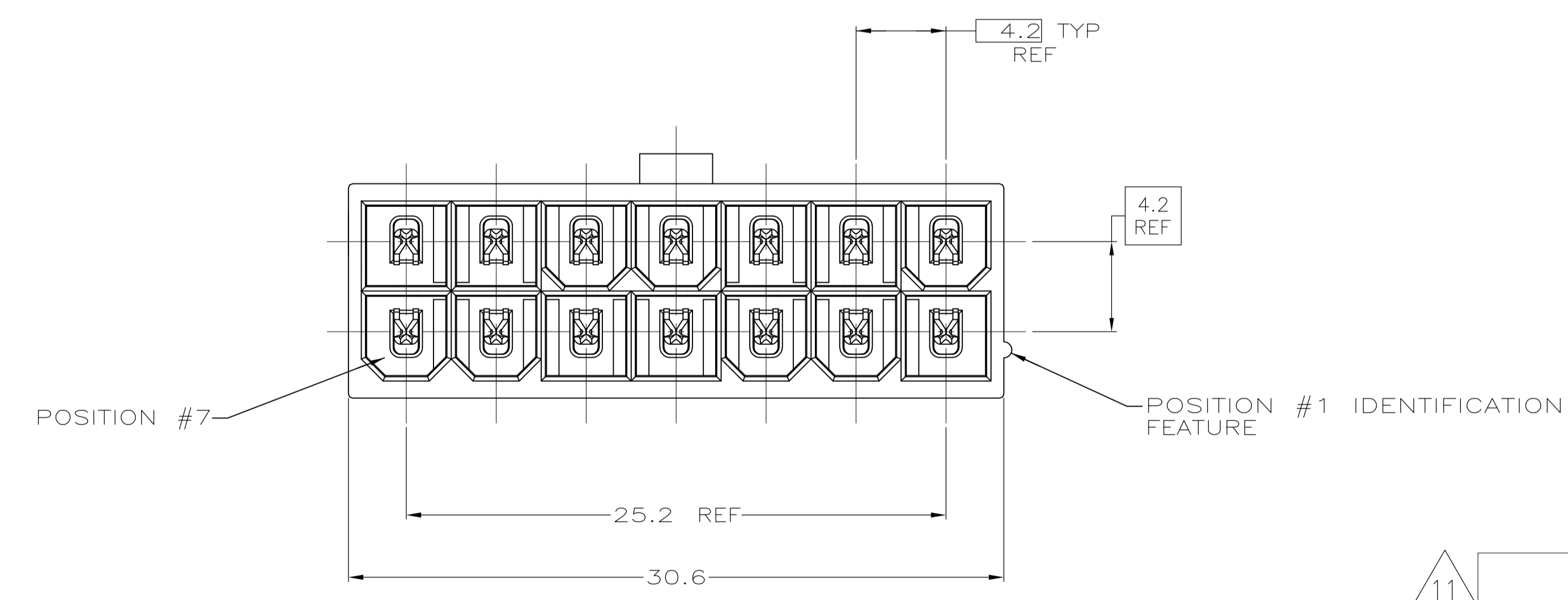


LOC		DIST		REVISIONS			
CM	0	REV	DATE	BY	CHK	APPV	
D		REVIS	PER ECO-06-014732	13NOV06	KW	DC	
D1		REVIS	PER ECO-09-023313	10OCT09	KK	AEG	

- 1 MATERIAL:
HOUSING: NYLON, UL94V-0 (COLOR - NATURAL, COLOR OF PARTS MAY VARY).
CONTACTS: 0.25 THK COPPER ALLOY.
- 2 CONTACT FINISH: 0.003 MIN THK TIN-LEAD OVER 0.00127 MIN THK NICKEL OVER ENTIRE CONTACT.
- 3 CONTACT FINISH: 0.00076 MIN THK GOLD PLATE ON PIN MATING SURFACE, 0.003 MIN THK TIN-LEAD PLATE ON SOLDER TAIL, ALL OVER 0.00127 MIN THK NICKEL BASE PLATE.
- 4. SOLDER TAIL MEETS AMP SOLDERABILITY SPECIFICATION 109-11-2.
- 5. MATES WITH SIMILARLY PLATED AMP-DUAC™ POWER CONNECTOR RECEPTACLE HOUSINGS/SOCKET CONTACTS.
- 6 RIBS ON FOUR CORNERS OPTIONAL.
- 7 AMP LOGO AND MATERIAL ID MAY BE LOCATED ON EITHER LONG SIDE OF PART.
- 8 SIZE, SHAPE OR STYLE OF THIS FEATURE MAY VARY.
- 9 CONTACT FINISH: 0.003 MIN THK TIN OVER 0.00127 MIN THK NICKEL OVER ENTIRE CONTACT.
- 10 CONTACT FINISH: 0.00076 MIN THK GOLD PLATE ON PIN MATING SURFACE, 0.003 MIN THK TIN PLATE ON SOLDER TAIL, ALL OVER 0.00127 MIN THK NICKEL BASE PLATE.
- 11 OBSOLETE PARTS: OBSOLETE CIS STREAMLINING PER D.RENAUD/D.SINISI



RECOMMENDED MOUNTING HOLE PATTERN FOR 1.78 MAX THICK P.C. BOARD COMPONENT SIDE SHOWN



11	OBSOLETE	1	10	1	1	1-794489-2
		1	9	1	1	1-794489-1
	OBSOLETE	1	3	1	1	794489-2
	SUPERSEDED BY 1-794489-1	1	2	1	1	794489-1

CONTACT		HOUSING		PART NO
MATERIAL	FINISH	MATERIAL	COLOR	
THIS DRAWING IS A CONTROLLED DOCUMENT.				
DIMENSIONS: mm	TOLERANCES UNLESS OTHERWISE SPECIFIED:	DIN R VESTAL 6-11-98	CHK R SWING 6-11-98	Tyco Electronics Corporation Harrisburg, Pa 17105-3608
0 PLC ± -	1 PLC ± 0.2	APVD C CASH 6-11-98	NAME	ASSEMBLY, HEADER, VERTICAL, 14 POSITION, W/DRAIN HOLES, 94V-0, AMP-DUAC(TM)
2 PLC ± 0.13	3 PLC ± -	PRODUCT SPEC	SIZE	108-1699
4 PLC ± -	ANGLES ± ± 0°30'	APPLICATION SPEC	WEIGHT	100779C=794489
MATERIAL SEE TABLE	FINISH SEE TABLE	RESTRICTED TO	SCALE	5:1
		CUSTOMER DRAWING	SHEET	1 OF 1
		REV	D1	

