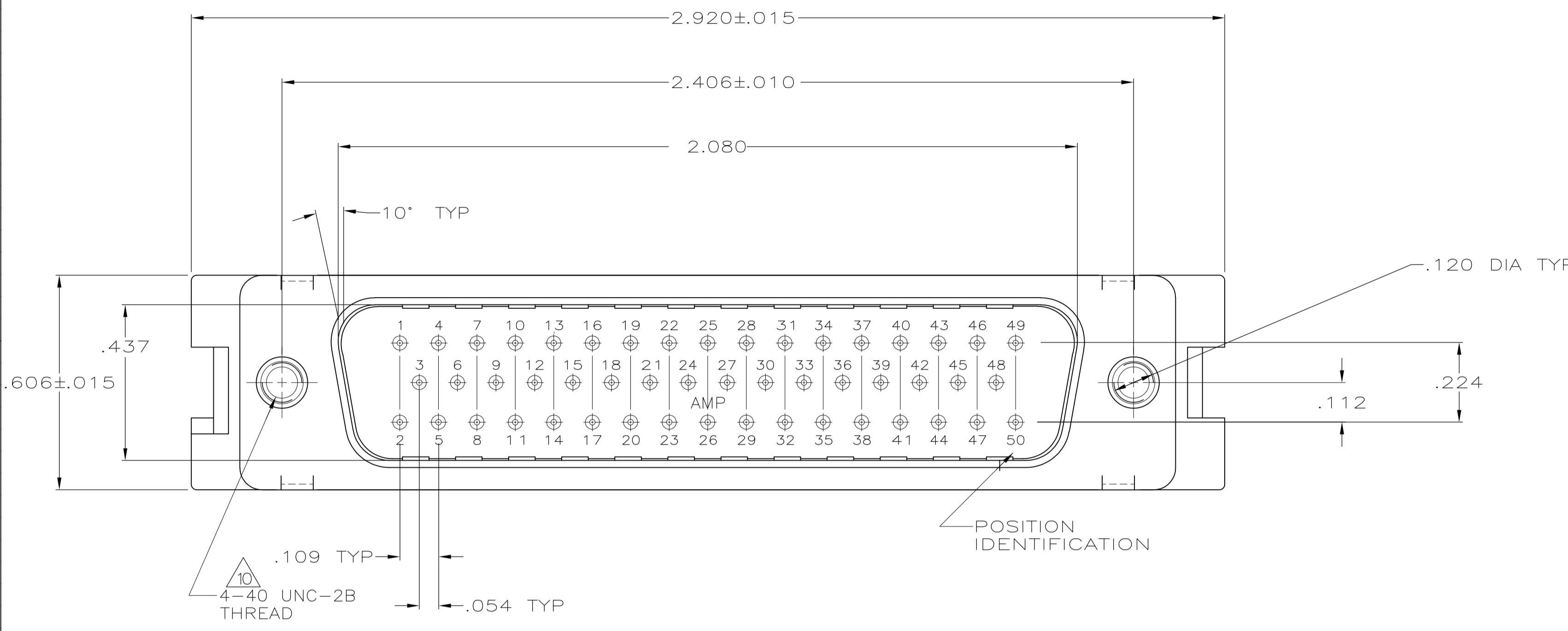
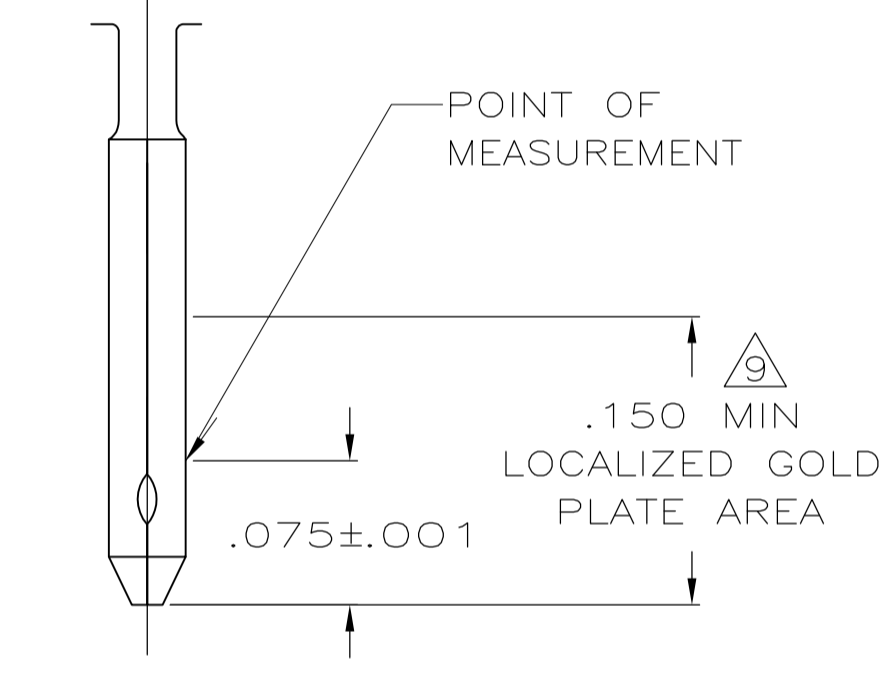
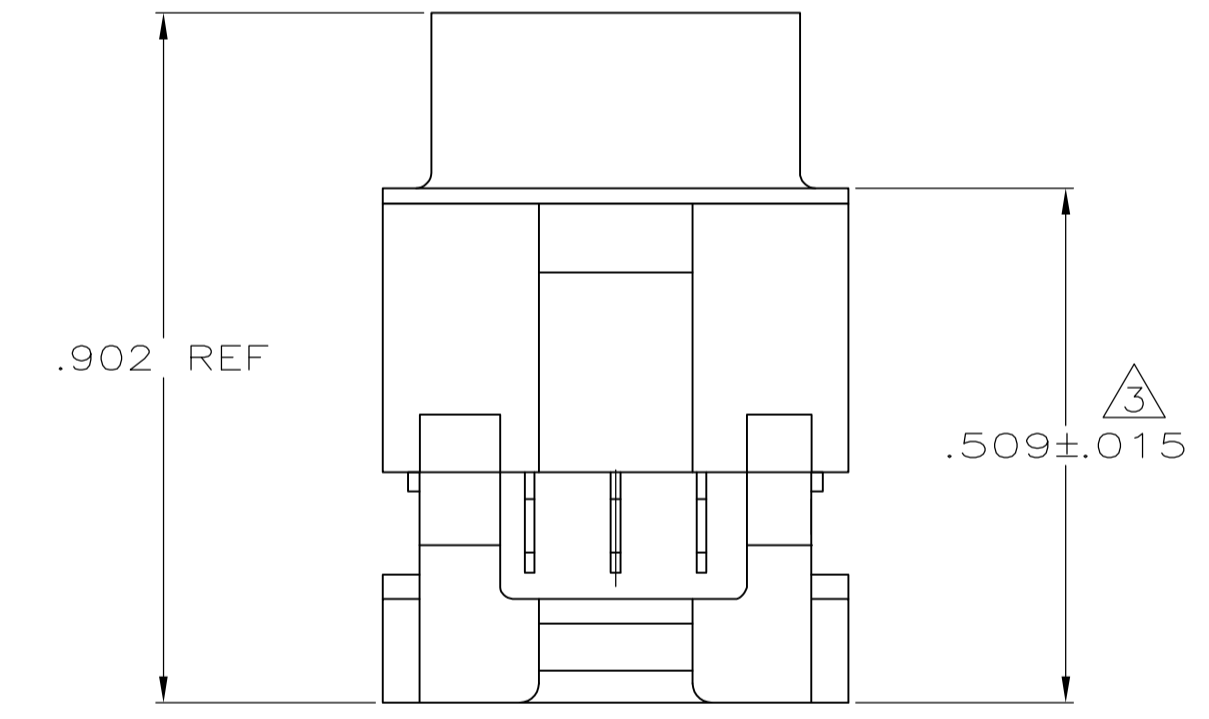
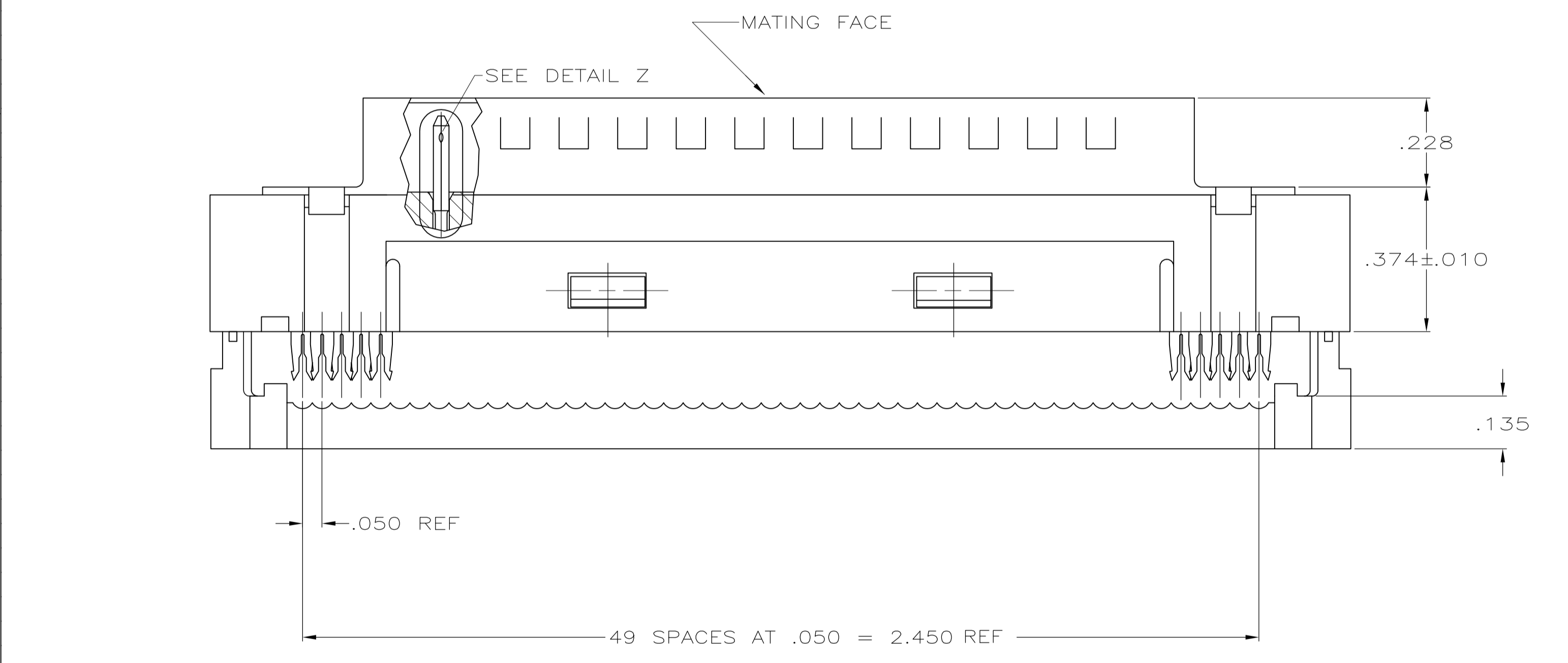


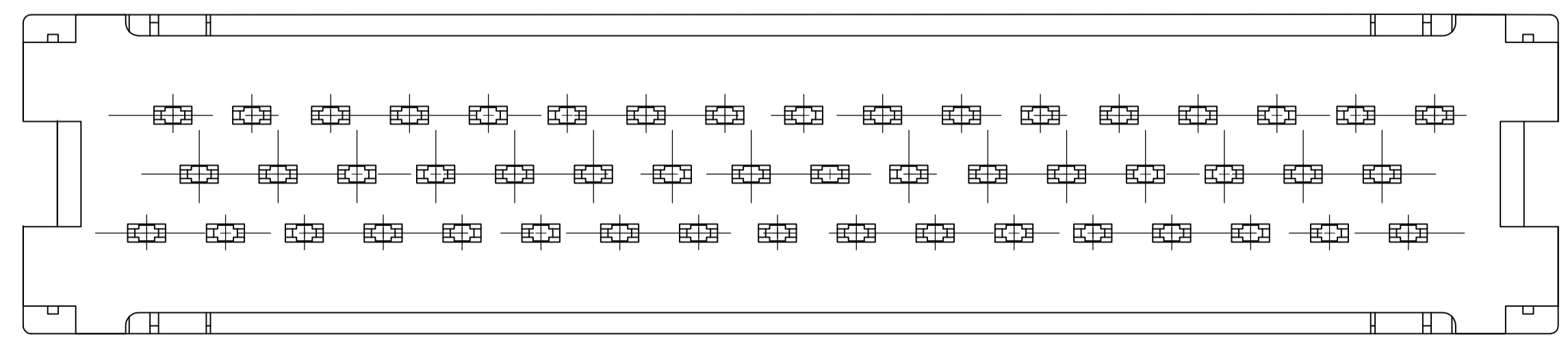
LOC		DIST		REVISIONS			
GP	00	REV	DATE	BY	CHK	APPV	
C1	REVISED PER ECO-11-004835	11MAR11	RK	HMR			



- CONNECTORS COMPLY WITH AMP SPEC 108-40012.
- CONNECTOR DESIGNED FOR 28 AND 26 AWG STRANDED AND SOLID CONDUCTOR RIBBON CABLE ON .050 CENTER LINE.
- DIMENSION APPLIES TO TERMINATED CONNECTOR.
- MOLDED PARTS: FLAME RETARDANT 94V-0 RATED THERMOPLASTIC; COLOR: BLACK.
- SHELL: STEEL PER QQ-S-698.
- CONTACTS: PH BRZ PER QQ-B-750.
- GOLD PLATING PER MIL-G-45204, TIN PLATING PER MIL-T-10727, NICKEL PLATING PER QQ-N-290.
- SHELL: BRIGHT TIN PLATED.
- CONTACTS:  
 .000030 MIN GOLD ON MATING END, .000100-.000200 MATTE TIN ON TERMINATION END, ALL OVER .000050 NICKEL ON ENTIRE CONTACT.  
 OR  
 GOLD FLASH OVER PALLADIUM-NICKEL ON MATING END, .000030 MIN TOTAL, .000100-.000200 MATTE TIN ON TERMINATION END, ALL OVER .000050 NICKEL ON ENTIRE CONTACT.
- THE MAX SCREW PENETRATION INTO THE CONNECTOR = .312.
- INTERNAL NUT: ZINC PLATED .000150-.000300 THICK, CLEAR CHROMATE COATED.



DETAIL Z  
SCALE 10:1  
ROTATED 180° CW



1658607-1  
PART NO

THIS DRAWING IS A CONTROLLED DOCUMENT.		DIN L. BAUM 6/12/03	TE Connectivity				
DIMENSIONS: INCHES		CHK C. HOHDE 6/12/03					
TOLERANCES UNLESS OTHERWISE SPECIFIED:		APPV M. WALMSLEY 6/12/03	NAME PLUG ASSY, 50 POS, LOW PROFILE HDF, FRONT METAL SHELL, LEAD-FREE, AMP-LATCH				
0 PLC ± - 1 PLC ± - 2 PLC ± - 3 PLC ± .005 4 PLC ± - ANGLES ± -		APPLICATION SPEC	SIZE A1	CAGE CODE 00779	DRAWING NO 1658607	RESTRICTED TO	
MATERIAL		WEIGHT	CUSTOMER DRAWING		SCALE 4:1	SHEET 1 of 1	REV C1