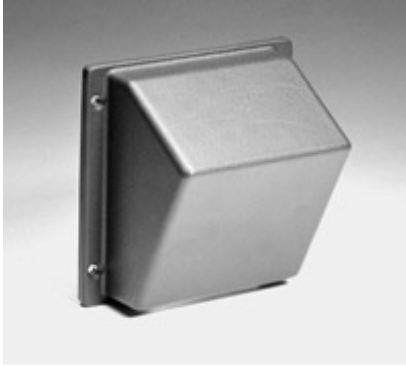
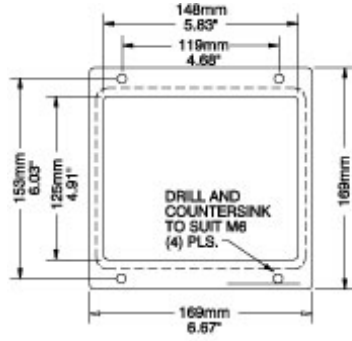


Heavy Duty Slope Adaptor *HDSSSA Series*



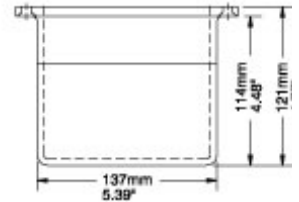
- Provides 30° or 60° incline by mounting to rear of enclosure.
- Cast aluminum.



Top View



Front View



Side View



Part No.	R140-045-000R
-----------------	----------------------

Data subject to change without notice