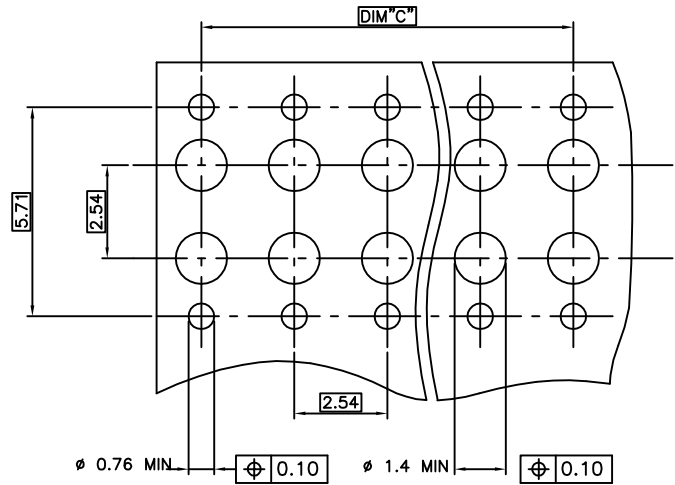
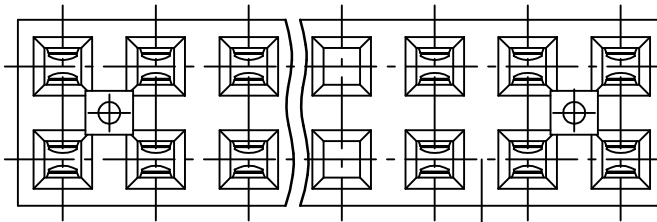


PRODUCT N°	NBR OF POS.	TERMINAL NBR	DIM"C"	DIM"D"
95257-Y01(H)(LF)	2 x 20	28	48.28	50.72

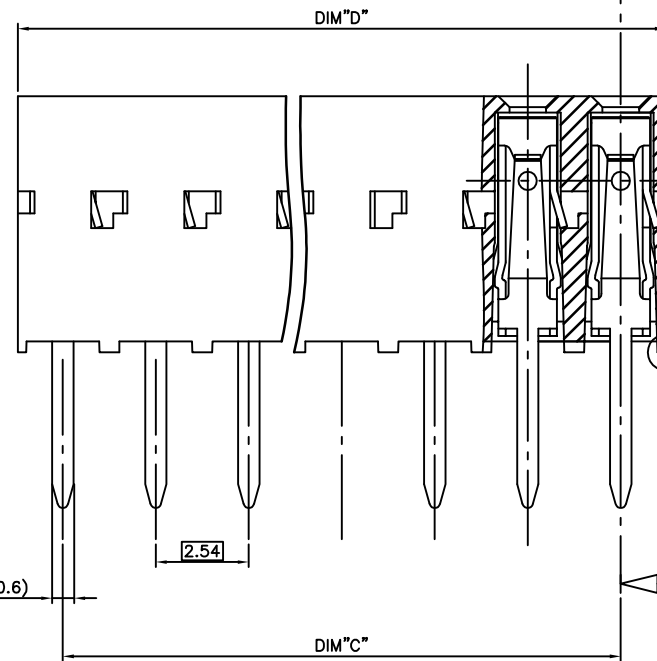
CONTACT PLACED IN CAVITY (ACCORDING TO "F" VIEW)

X	X	X				X	X	X	X	X	X	X	X	X			X	X	X
X	X	X				X	X	X	X	X	X	X	X	X			X	X	X
1	2	3	4	5	6	7	8	9	10	11	12	13	14	15	16	17	18	19	20

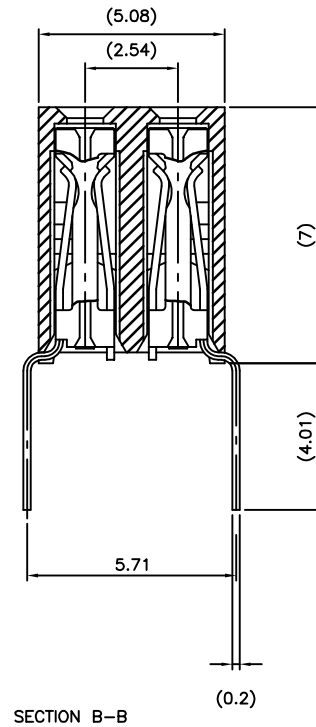
WHEN NEEDED, SUFFIX LETTER "LF" INDICATES THE PRODUCT IS RoHS COMPATIBLE, SEE NOTE 6



RECOMMENDED PC BOARD THICKNESS: 1.6 ±0.2



NOTE 7



NOTES:

- MATERIAL HOUSING: THERMOPLASTIC POLYESTER 30% GLASS FILLED, COLOUR BLUE. FLAME RETARDANT PER UL-94 CATEGORY V0.
- MATERIAL TERMINAL: PHOSPHOR BRONZE EXTRA HARD.
- MATERIAL HOUSING VERSION HIGH TEMPERATURE: PCT 30% GLASS FILLED, COLOUR GREY. FLAME RETARDANT PER UL-94 CATEGORY V0.
- THE DASH "H" AT THE END OF THE P/N TO INDICATE A HIGH TEMPERATURE HOUSING.
- CONNECTOR MEANT TO BE USED FOR PC BOARD WITH NONE PLATED THROUGH HOLES.
- RoHS COMPATIBLE PRODUCT SPECIFICATIONS
 - PLATING:
 - "LF" MEANS THE PRODUCT IS LEAD-FREE, 2µm MINIMUM MATTE TIN OVER 1.27µm MINIMUM NICKEL UNDERPLATE.
 - MANUFACTURING PROCESS COMPATIBILITY
 - THE HOUSING WILL WITHSTAND EXPOSURE TO 260°C ±5°C SOLDER BATH TEMPERATURE FOR 5 SECONDS IN A WAVE SOLDER APPLICATION WITH A 1.6mm MIN THICK CIRCUIT BOARD.
 - LABELING:
 - MEETS PACKAGING SPECS AS PER GS-14-920
 - LEGAL STATEMENT: SEE GS-22-008
- END STAND-OFFS FOR 2x2 UP TO 2X5 POS
NO END STAND-OFFS FOR 2x6 UP TO 2x50 POS

95257-401(H)	5µm SnPb N.	SnPb
95257-301(H)	0.76µm GOLD	SnPb
PLATING CODE	CONTACT AREA	SOLDER TAIL
	PLATING THICKNESS OVER 1.27µm Ni	

95257-401(H)(LF)	5µm Sn	Sn
95257-301(H)(LF)	0.76µm GOLD	Sn
PLATING CODE	CONTACT AREA	SOLDER TAIL
	PLATING THICKNESS OVER 1.27µm Ni	

mat'l. code	surface	tolerance	projection	product family
SEE NOTES	ISO 1902	ISO 406 ISO 101		DX VCC DR
lfr ecn no dr date	tolerances unless otherwise specified	angles	mm	title
H F11-0043 JCO 12.02.22		linear ±0.3		DUAL ENTRY
c F80638 VMO 08.10.14 ±2'			scale 10:1	OFF SET LEGS 5.71mm
D P04-0347 DLE 04.11.15 dr P.NIZZI 96.05.29				dwg no
E P06-0137 DLE 06.02.27 engr J.M.PHAMVAN 96.05.29				sheet 1 of 1 size
F P06-0204 DLE 06.06.28 chr P.NIZZI 96.05.29				95257 A2
G P07-0271 LMU 07.12.06 app J.M.P 96.05.29				type CUSTOMER Drawing
sheet index	revision			