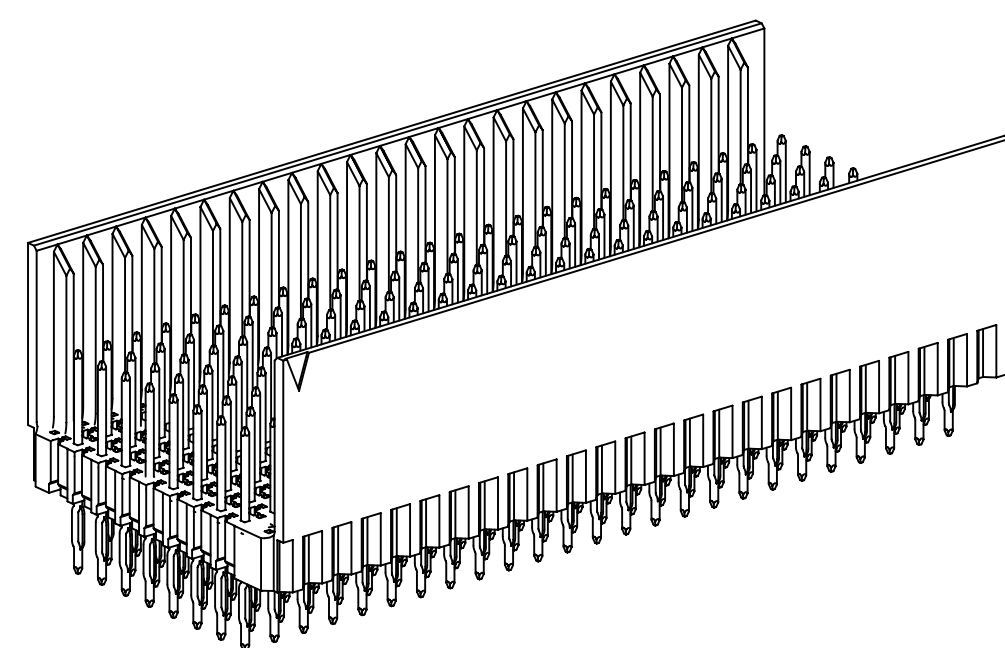
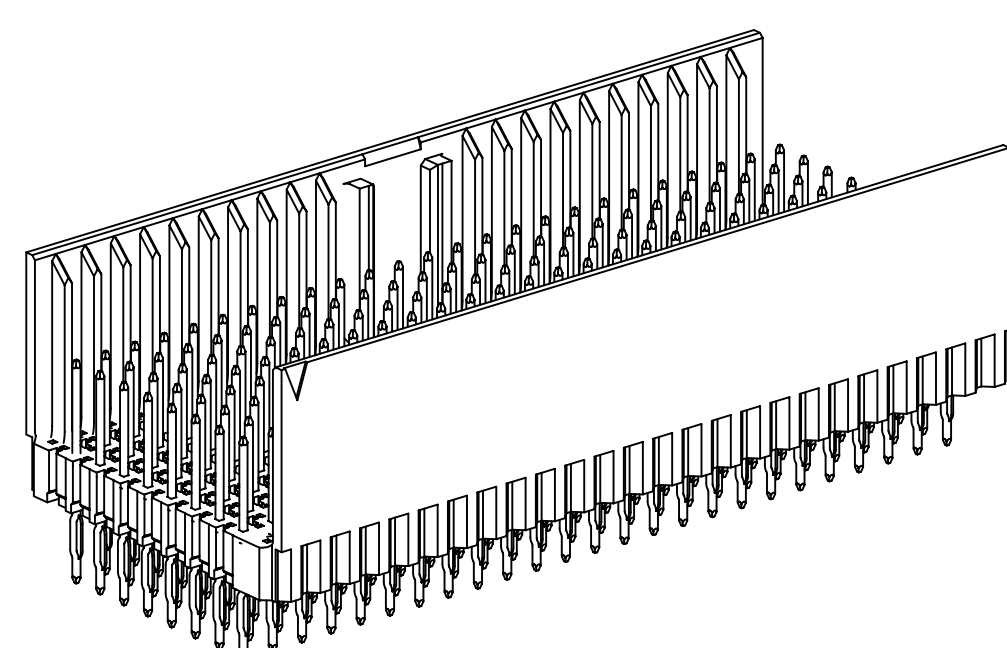


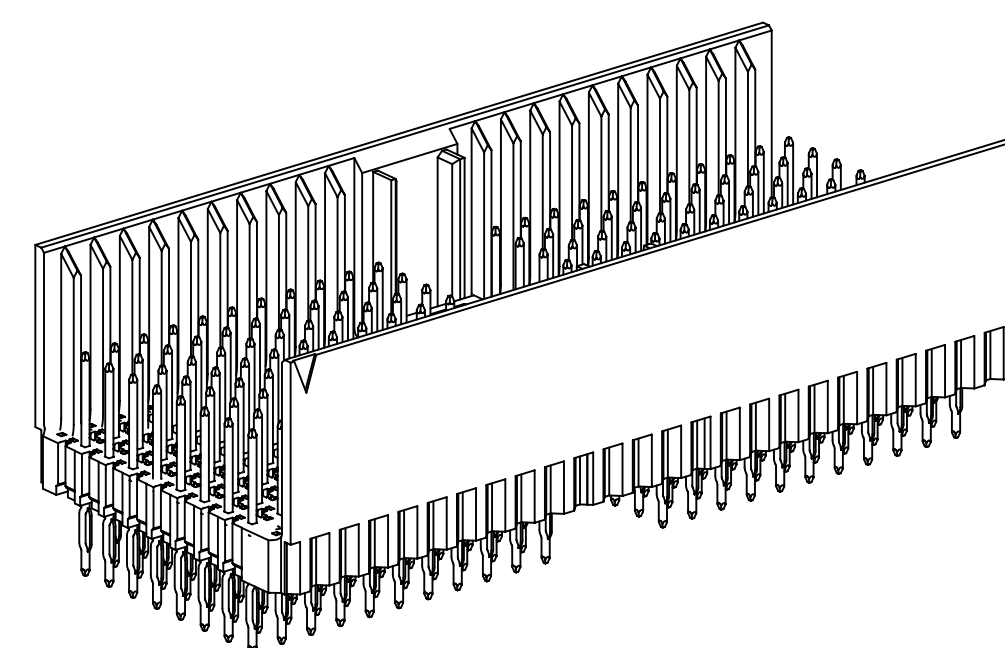
3M™ HM PRESS-FIT HEADER, 8-ROW, HM SERIES
FOR HARD METRIC APPLICATIONS



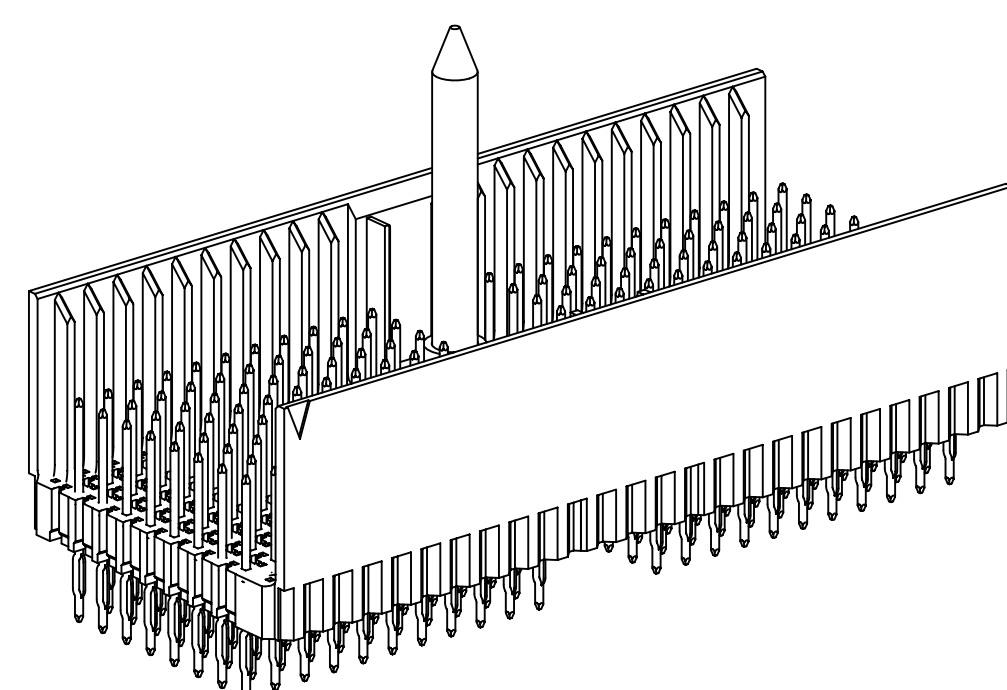
HM-H200E1-8CX1
HM-H244E2-8BX1



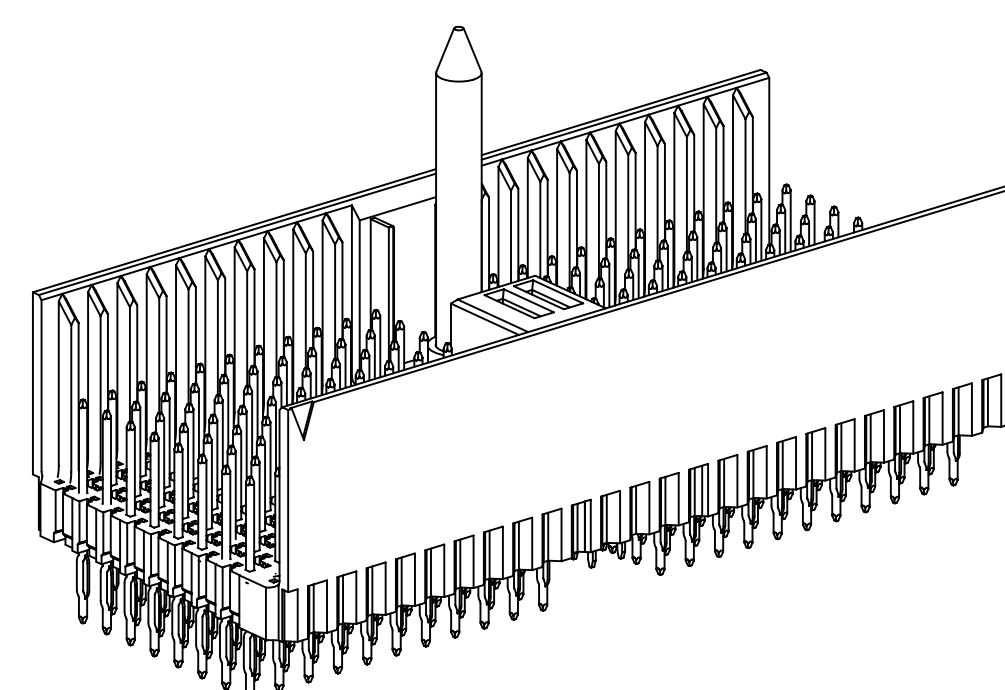
HM-H200DE1-8CX1
HM-H244DE2-8BX1



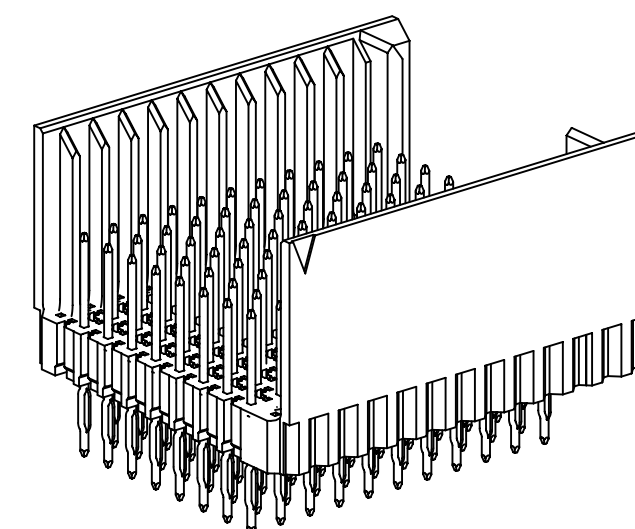
HM-H176D1-8CX1
HM-H220D2-8BX1



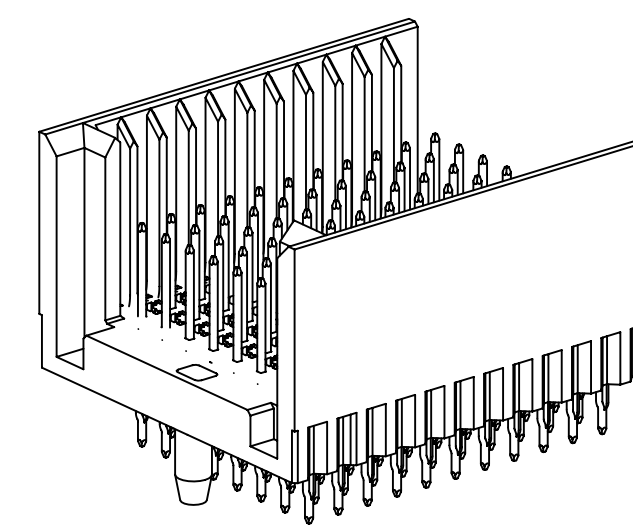
HM-H176DG1-8CX1
HM-H220DG2-8BX1



HM-H176DPWR1-8CX1
HM-H220DPWR2-8BX1



HM-H088FL1-8CX1
HM-H110FL2-8BX1



HM-H088FR1-8CX1
HM-H110FR2-8BX1

(UNLESS OTHERWISE SHOWN)
ORDERING INFORMATION
(ROWS I AND Z NOT LOADED)

HM-HXXXXX1-8CX1-XXXXX

HEADER POSITION AND TYPE | TAIL STYLE: P = PRESS-FIT TAIL, S = SOLDER TAIL | PLATING

(UNLESS OTHERWISE SHOWN)
ORDERING INFORMATION
(ROWS I AND Z LOADED, 8.3MM MATE LENGTH)

HM-HXXXXX2-8BX1-XXXXX

HEADER POSITION AND TYPE | TAIL STYLE: P = PRESS-FIT TAIL, S = SOLDER TAIL | PLATING

PLATING SPECIFICATIONS:

TG30L = .76µM [30µIN] MIN. GOLD ON CONTACT AREA, LUBRICATED
2.54µM [100µIN] MIN. TIN/LEAD ON TERMINAL AREA (RIA C2 & E2 APPLY)
1.27µM [50µIN] MIN. NICKEL ALL OVER.
TYPICALLY HIGHER MAKE ORDER QUANTITIES AS COMPARED TO TG30.

TG30 = .76µM [30µIN] MIN. GOLD ON CONTACT AREA
2.54µM [100µIN] MIN. TIN/LEAD ON TERMINAL AREA (RIA C2 & E2 APPLY)
1.27µM [50µIN] MIN. NICKEL ALL OVER.
STANDARD OPTION.

TG50 = 1.27µM [50µIN] MIN. GOLD ON CONTACT AREA, LUBRICATED
2.54µM [100µIN] MIN. TIN/LEAD ON TERMINAL AREA (RIA C2 & E2 APPLY)
1.27µM [50µIN] MIN. NICKEL ALL OVER.
NON-STANDARD OPTION (AVAILABLE WITH LONGER LEAD TIMES AND HIGHER MAKE ORDER QUANTITIES, MOQ)

KR = .76µM [30µIN] MIN. GOLD ON CONTACT AREA
2.54µM [100µIN] MIN. MATTE TIN ON TERMINAL AREA (RIA C2 & E2 APPLY)
1.27µM [50µIN] MIN. NICKEL ALL OVER.

- * MODULAR/SCALABLE FORMAT IEC 61076-4-101
- * PRESS-FIT OF SOLDER TAIL VERSION
- * 101 MATED LINES PER INCH
- * SHIPS WITH PROTECTIVE CAP, WHICH ALSO SERVES AS AN INSERTION TOOL
- * END-TO-END STACKABLE WITH 8 ROW 3M™ HM AND HSHM PRODUCTS
- * INTEGRATED GUIDE AND GUIDE PIN
- * MULTI-PURPOSE CENTER (MPC) KEYING AND GUIDANCE
- * FOUR INTEGRATED 8.25 A POWER CONTACTS AND GUIDE PIN

- NOTES
- MATERIAL:
PLASTIC: HIGH TEMP LCP, UL94V-0
PINS: COPPER ALLOY.
 - REGULATORY INFORMATION:
ROHS COMPLIANT. SEE THE REGULATORY INFORMATION APPENDIX (RIA) IN THE "ROHS COMPLIANCE" SECTION OF WWW.3MCONNECTORS.COM FOR COMPLIANCE INFORMATION (RIA E1 & C1 APPLY)
 - IN THE EVENT OF CONFLICT BETWEEN THIS DATA AND THAT CONTAINED IN THE PRODUCT SPECIFICATION, THE PRODUCT SPECIFICATION TAKES PRECEDENT.

MECHANICAL:

NORMAL FORCE (NOMINAL): .57N [58g] SIGNAL
ENGAGEMENT FORCE (NOMINAL): .32N [33g] SIGNAL
SEPARATION FORCE (NOMINAL): .20N [20g] SIGNAL
WIPE (NOMINAL, SHORTEST CONTACT): 2.67 [.105] SIGNAL
MATE/UNMATE CYCLES: 250
APPLICATION: THIS MODULE IS NOT SUITABLE FOR STAND-ALONE USE. (REFER TO IEC-61076-4-101)

ELECTRICAL:

CURRENT RATING (FULLY LOADED): 1A @ 70°C SIGNAL
INSULATION RESISTANCE: 1 X 10⁴ MΩ @ 100 V_{DC}
WITHSTANDING VOLTAGE: 750V_{RMS}

ENVIRONMENTAL:

TEMPERATURE RATING: -55°C TO 125°C
PROCESS RATING: MAX. 260°C (PER J-STD-020C)
WITHSTANDING VOLTAGE: 1 (PER J-STD-020C)

3M™ ELECTRONIC SOLUTIONS DIVISION
INTERCONNECT SOLUTIONS
<http://www.3mconnectors.com>

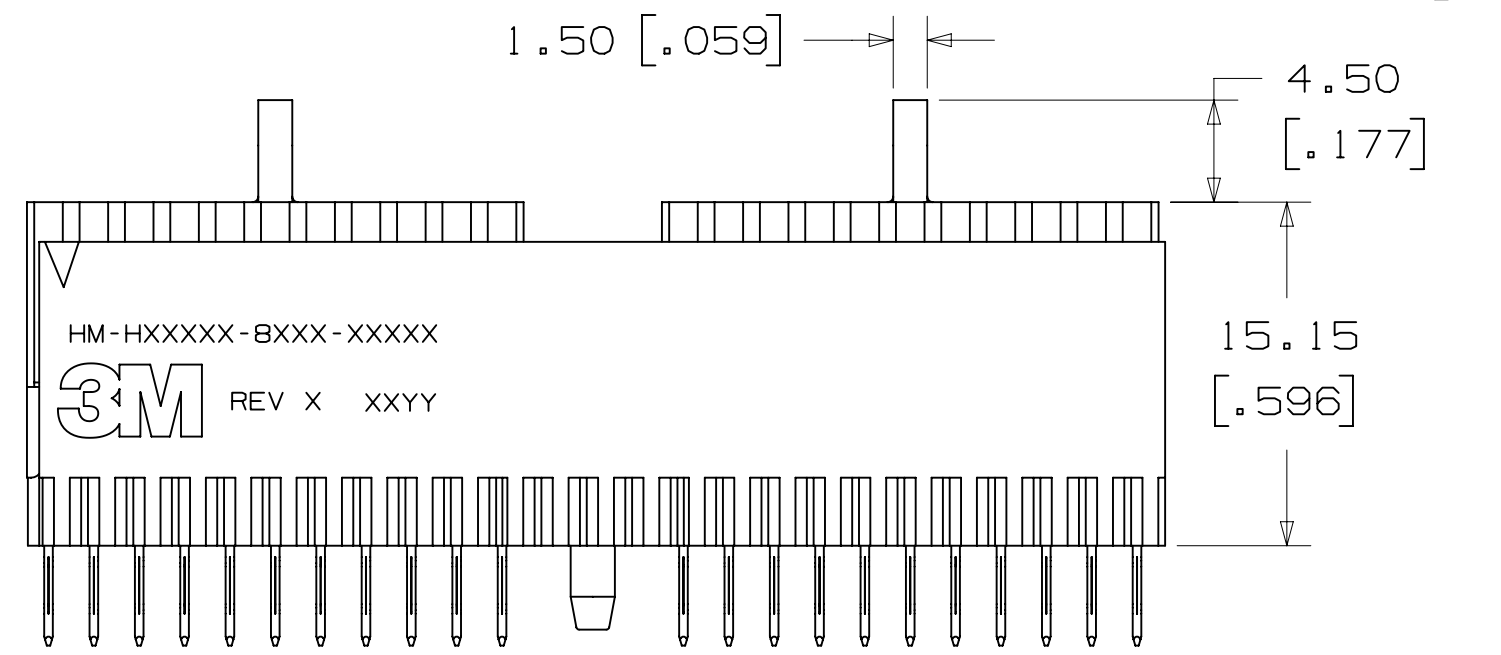
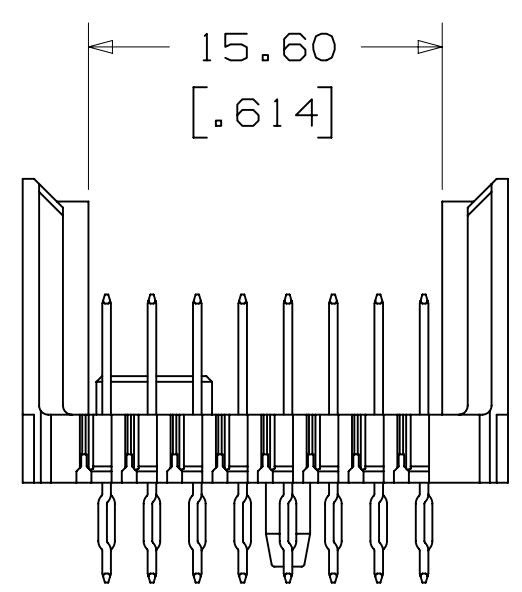
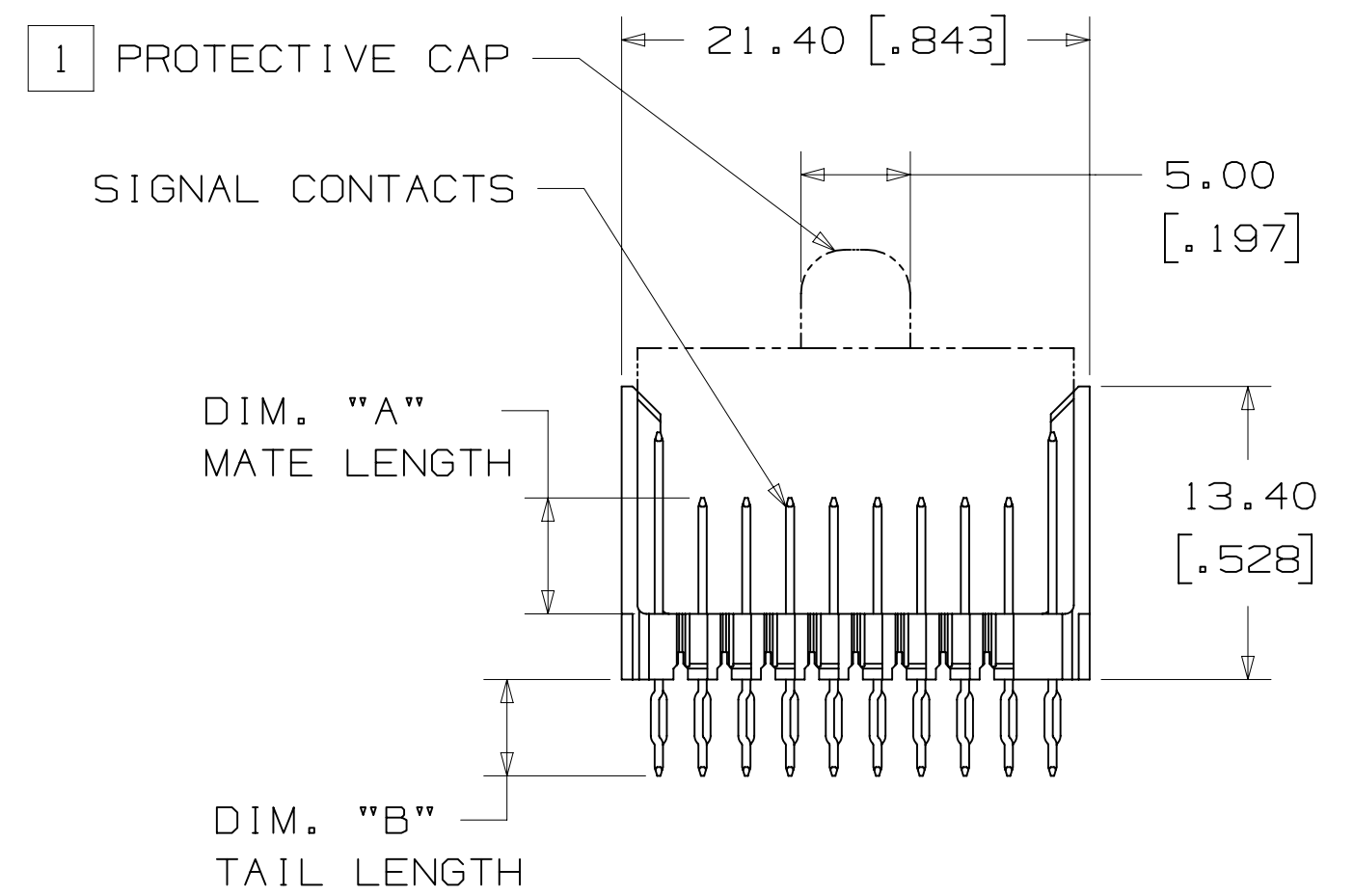
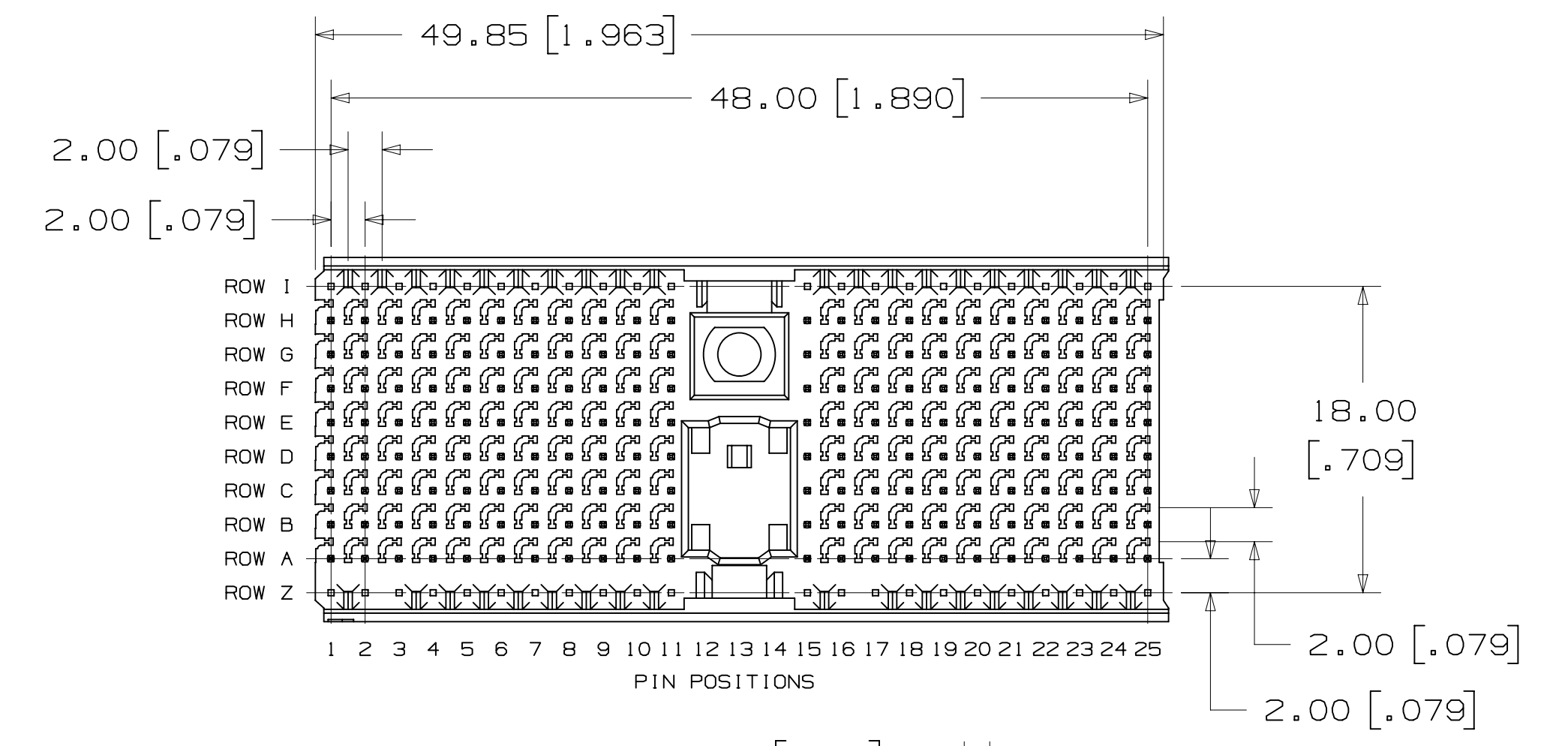
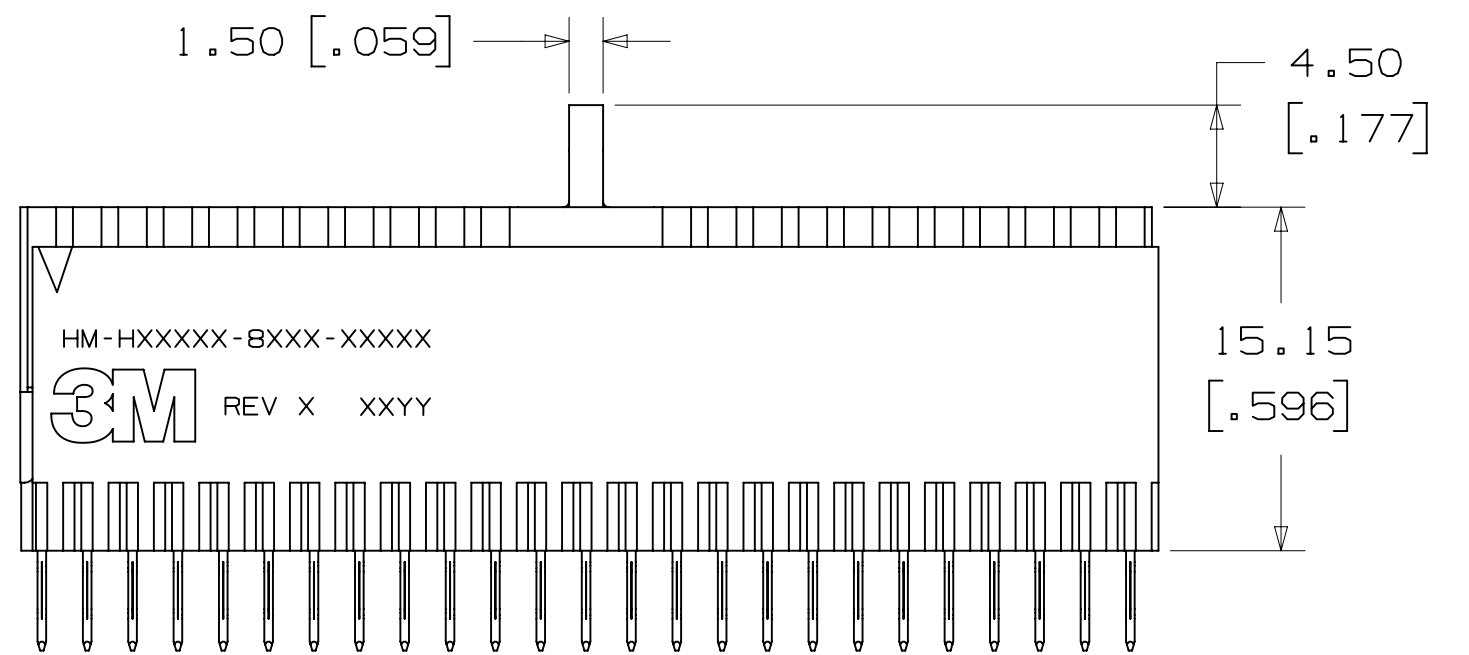
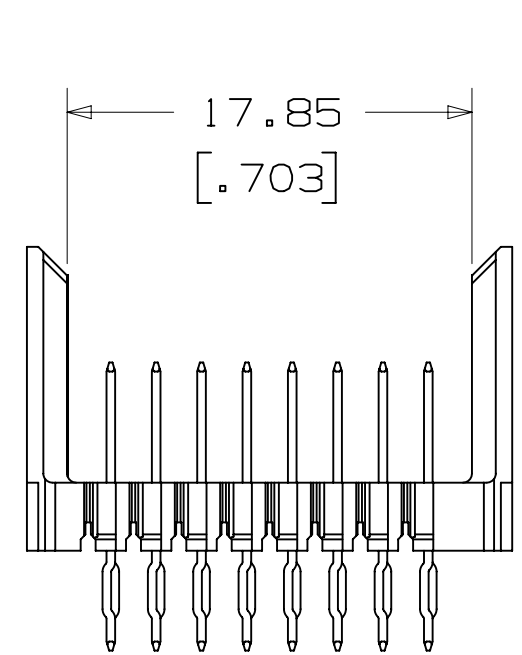
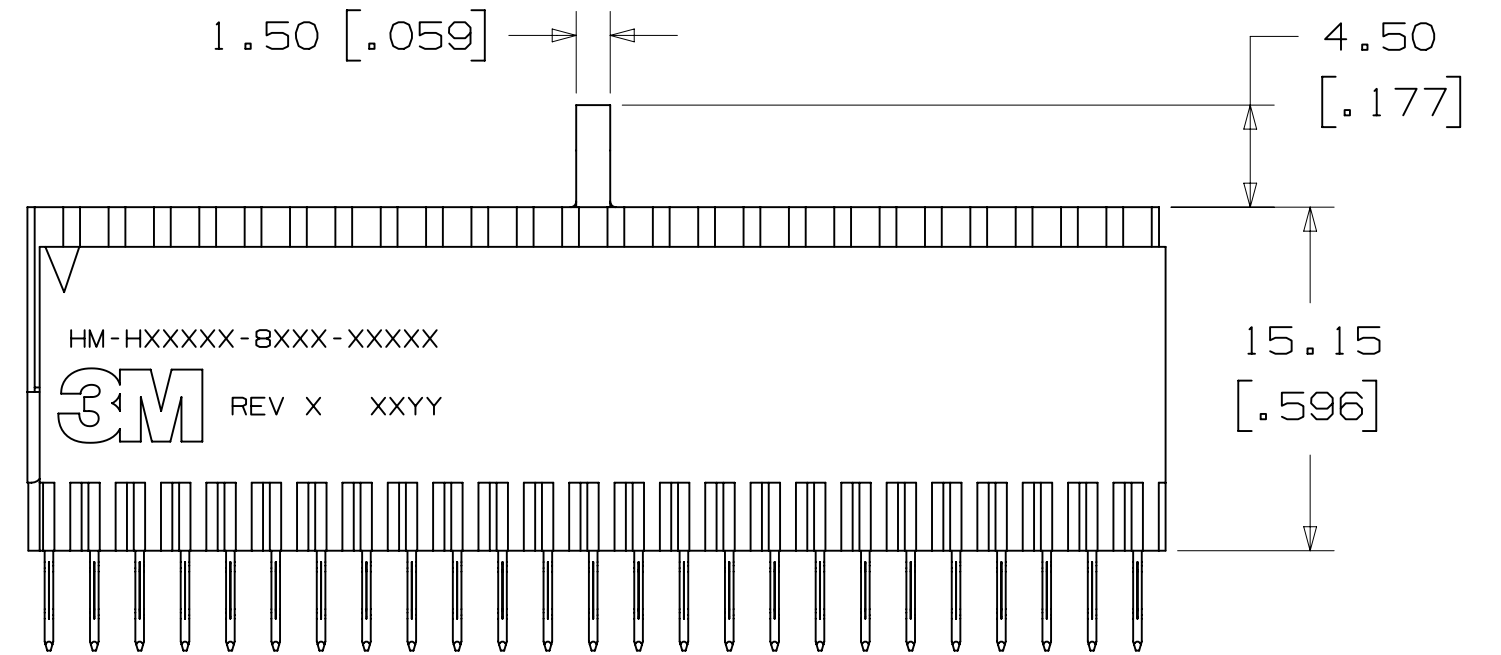
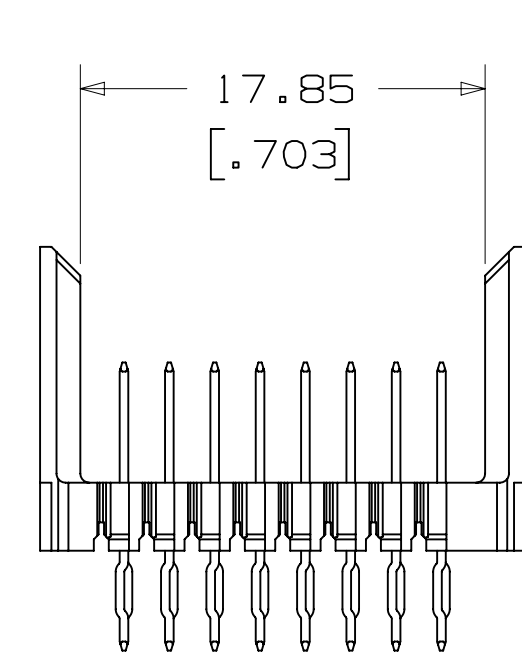
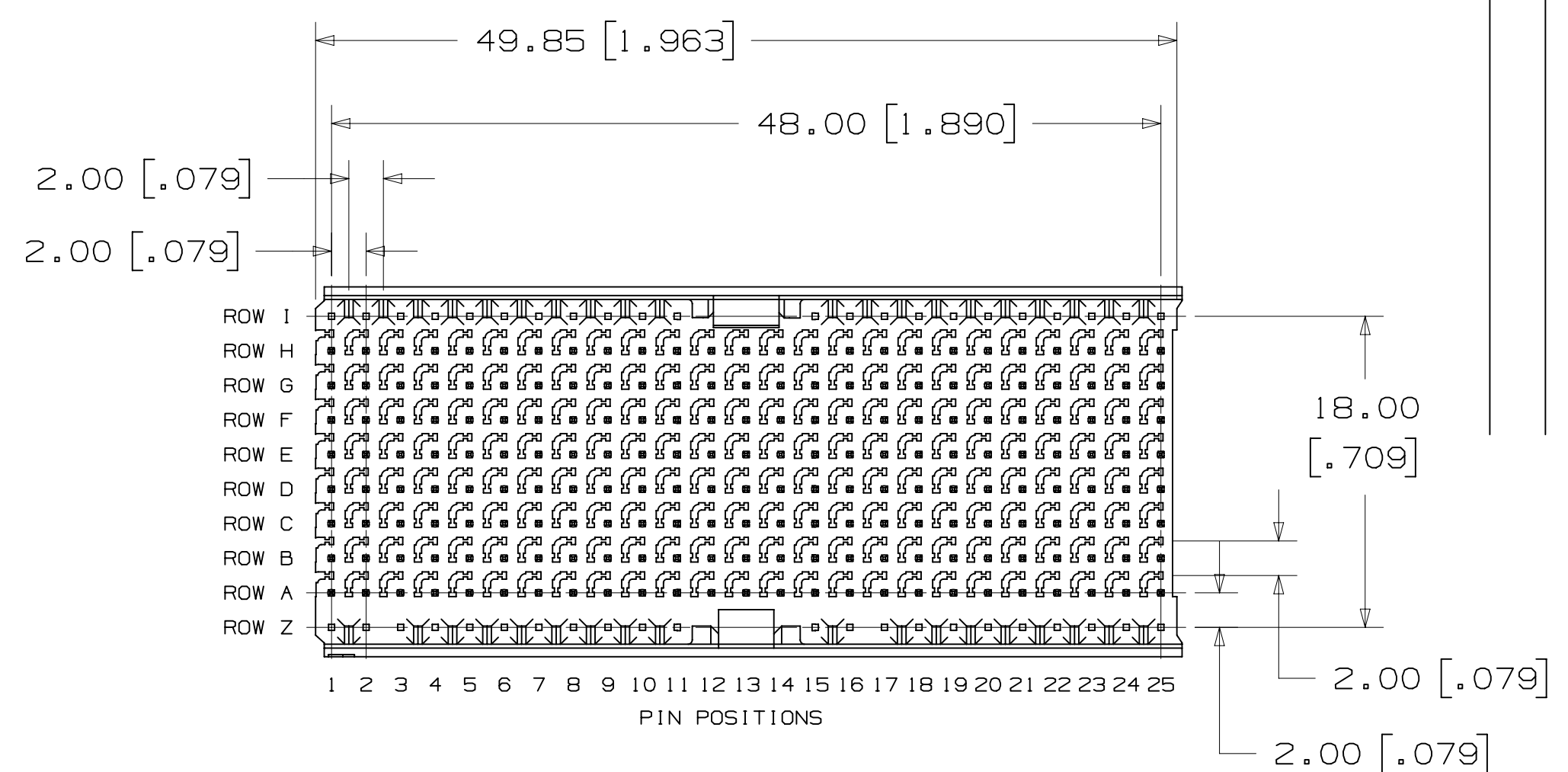
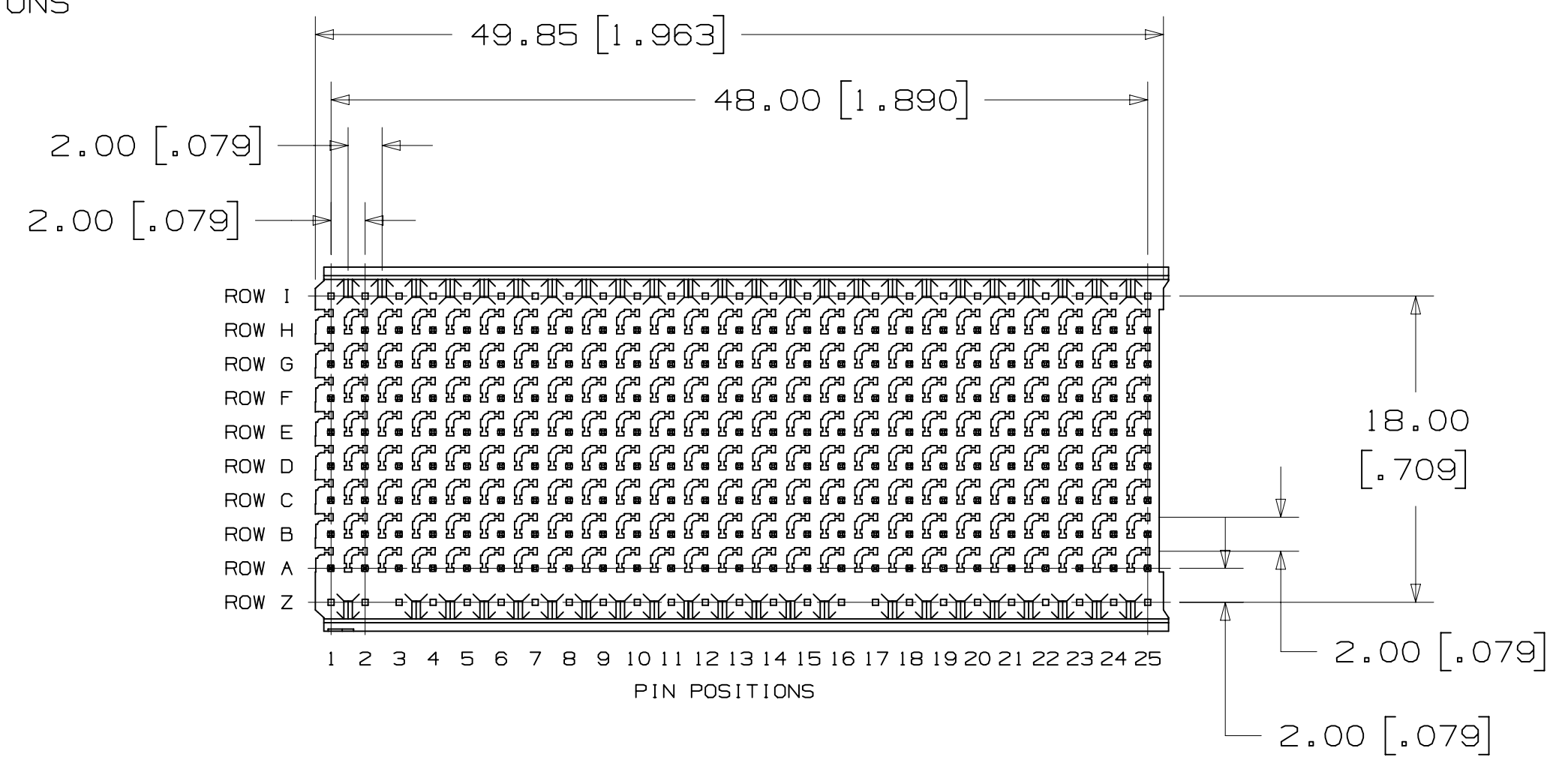
3M IS A TRADEMARK OF 3M COMPANY.
FOR TECHNICAL, SALES OR ORDERING
INFORMATION CALL 800-225-5373

CAUS
UL FILE NO: E68080

DESIGN REFERENCE		NEXT ASSEMBLY		REV	ECO	ISSUE DATE AND DESCRIPTION	DRFT	CHKD
A 39815		MAR 28, 2012				PRODUCTION RELEASE	JNC	TS
CAGD		DATE		APPRV		DATE		
CASTIGLIONE		MAR 28, 2012		T. SUNIGA		MAR 28, 2012		
DIVISION		DIVISION CODE		© 3M COPYRIGHT 2012				
Interconnect Solutions		ISD		This document and the information it contains are 3M property and may not be reproduced or further distributed without 3M permission, or used or disclosed other than for 3M authorized purposes. All rights reserved.				
DO NOT SCALE DRAWING		SCALE 5/2		TOLERANCES EXCEPT AS NOTED		3M		
				INCHES		TITLE		
				.01 ± .01		HM PRESS-FIT HEADER, 8-ROW, HM SERIES		
				.000 ± .005		CAGE NUMBER		
				.0000 ±		D 78-5100-2517-0		
THIRD ANGLE PROJECTION				MILLIMETERS		REV.		
INTERPRET PER ASME Y14.5 - 1994				0		A		
MAX SURFACE ROUGHNESS				.0 ± .3		CAGE SIZE		
SURFACES				.00 ± .13		DRAWING NO.		
MARKED ONLY				.000 ±		D 78-5100-2517-0		
				ANGLES		MODEL		
						DEF		
						LISTS		
						YES		
						NO		
						SHT 1 OF 4		

3M™ HM PRESS-FIT HEADER, 8-ROW, HM SERIES
FOR HARD METRIC APPLICATIONS

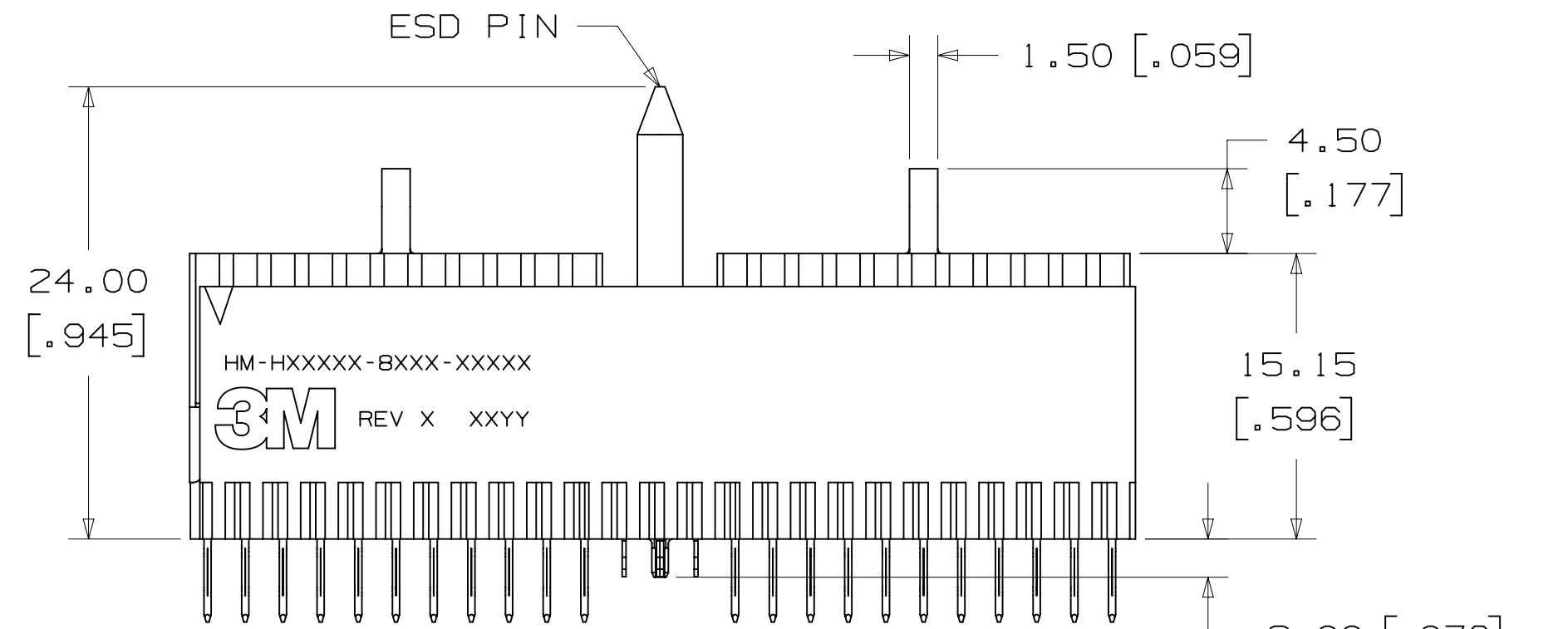
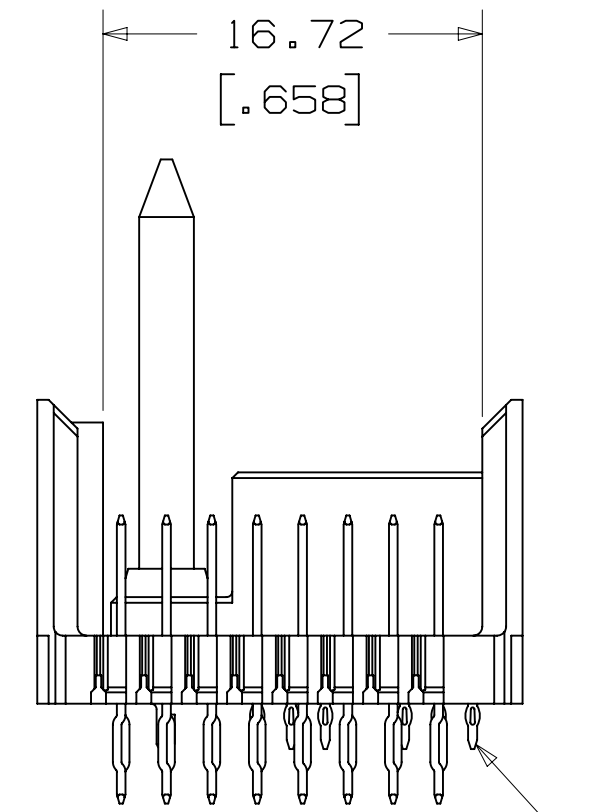
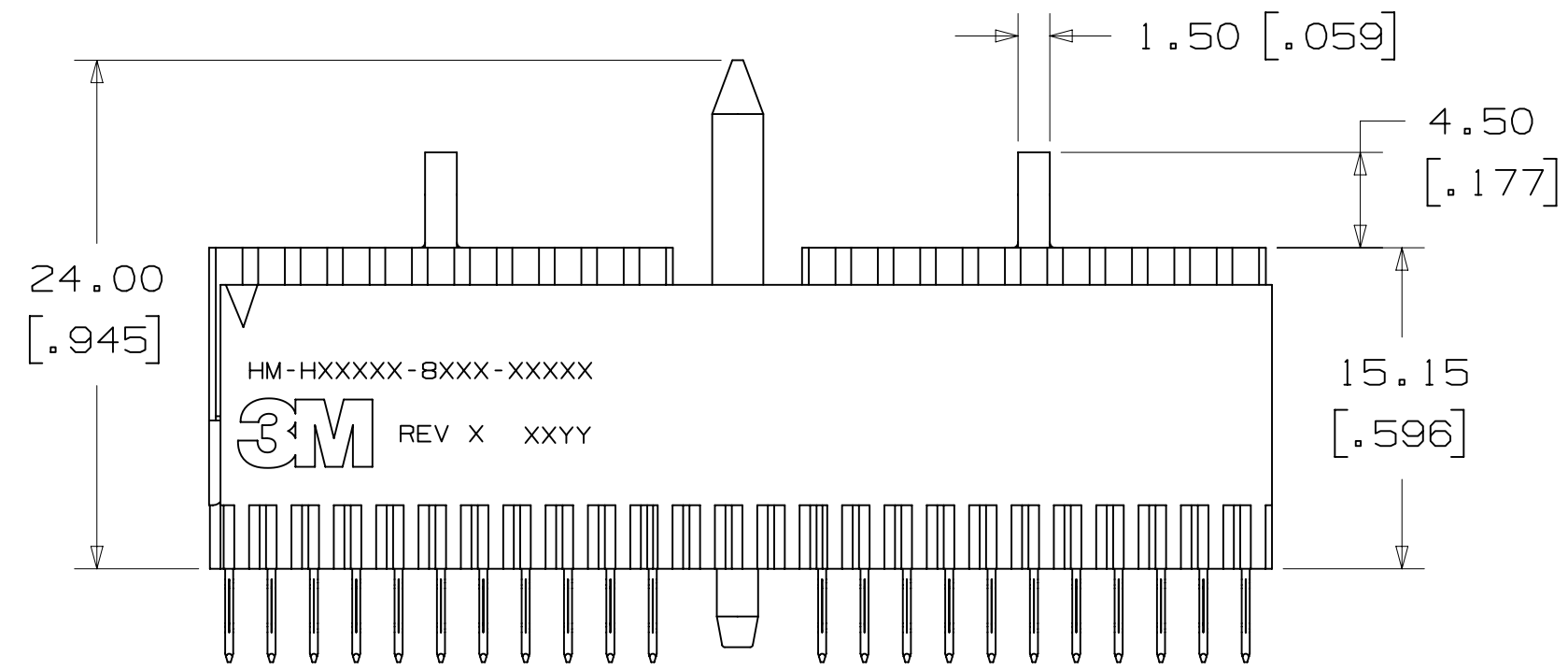
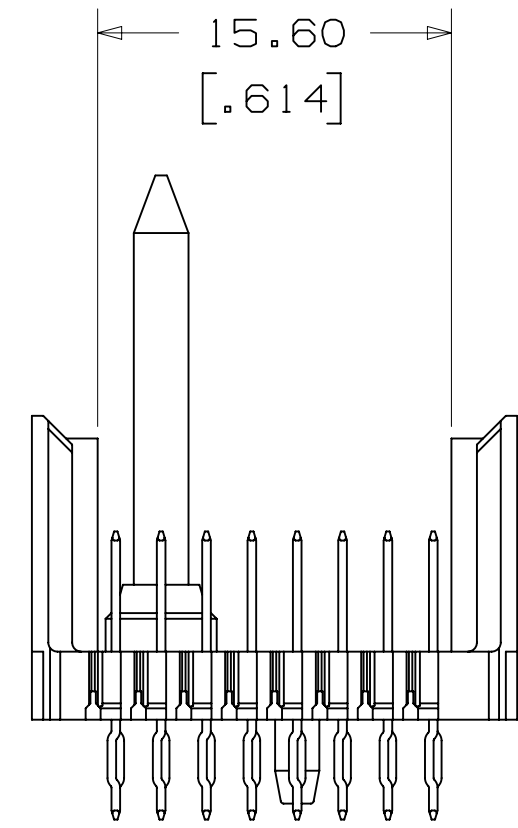
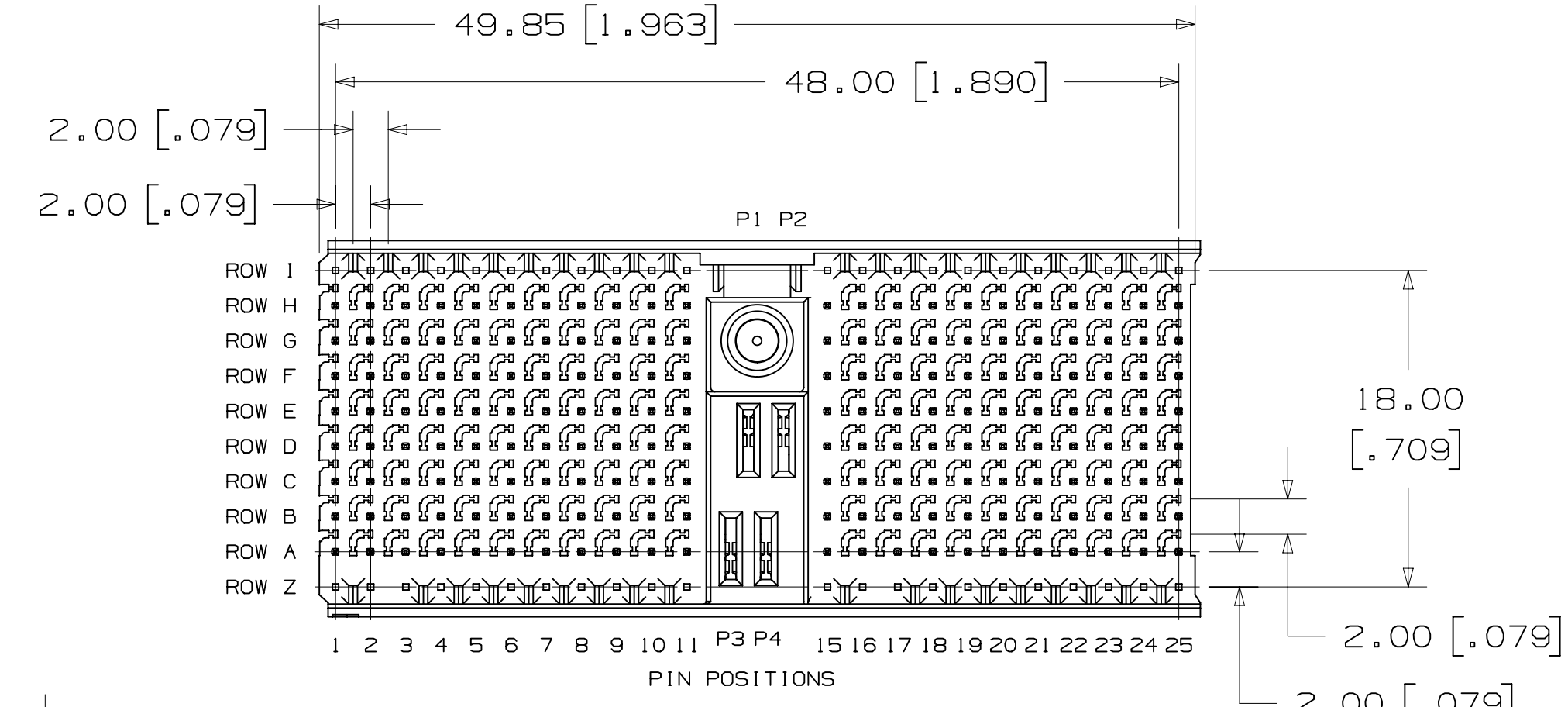
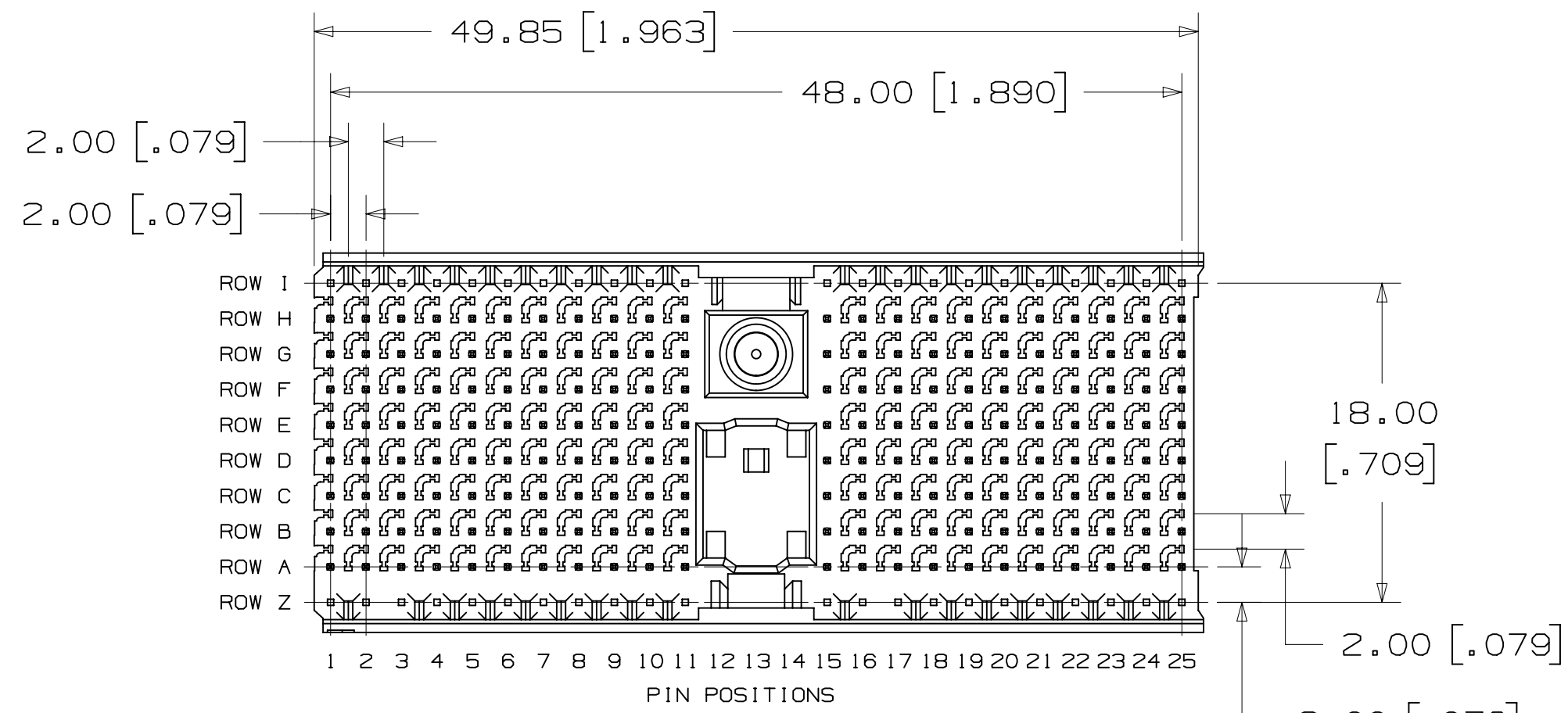
NOTES
1 CAPS TO BE REMOVED AFTER PRESS-FIT INSTALLATION PROCESS.



STANDARD CONFIGURATION
DIM. "A" 5.3 [0.21] FOR ROWS A THRU H
DIM. "B" 4.4 [0.17] EXCEPT AS NOTED
FOR NON-STANDARD CONFIGURATIONS CONTACT A 3M SALES REPRESENTATIVE

DESIGN REFERENCE	NEXT ASSEMBLY	REV	ECO	ISSUE DATE AND DESCRIPTION	DRFT	CHKD
				MAR 28, 2012		
DIVISION		DIVISION CODE		DATE		
Interconnect Solutions		ISD		MAR 28, 2012		
DO NOT SCALE DRAWING	SCALE 3/1	TOLERANCES EXCEPT AS NOTED		DATE		
THIRD ANGLE PROJECTION		INCHES		DATE		
INTERPRET PER ASME Y14.5 - 1994		MILLIMETERS		DATE		
MAX SURFACE ROUGHNESS		SURFACES		DATE		
MARKED ONLY		ANGLES		DATE		
A 39815		MAR 28, 2012		JNC TS		
ECO		ISSUE DATE AND DESCRIPTION		DRFT		CHKD
CASTIGLIONE		MAR 28, 2012				
APPR		DATE		DATE		
T. SUNIGA		MAR 28, 2012				
3M		© 3M COPYRIGHT 2012		This document and the information it contains are 3M property and may not be reproduced or further distributed without 3M permission, or used or disclosed other than for 3M authorized purposes. All rights reserved.		
TITLE		HM PRESS-FIT HEADER, 8-ROW, HM SERIES				
CAGE NUMBER	SIZE	DRAWING NO.		REV.		
D		78-5100-2517-0		A		
MODEL	DET	LISTS		YES NO		SHT 2 OF 4

3M™ HM PRESS-FIT HEADER, 8-ROW, HM SERIES
FOR HARD METRIC APPLICATIONS



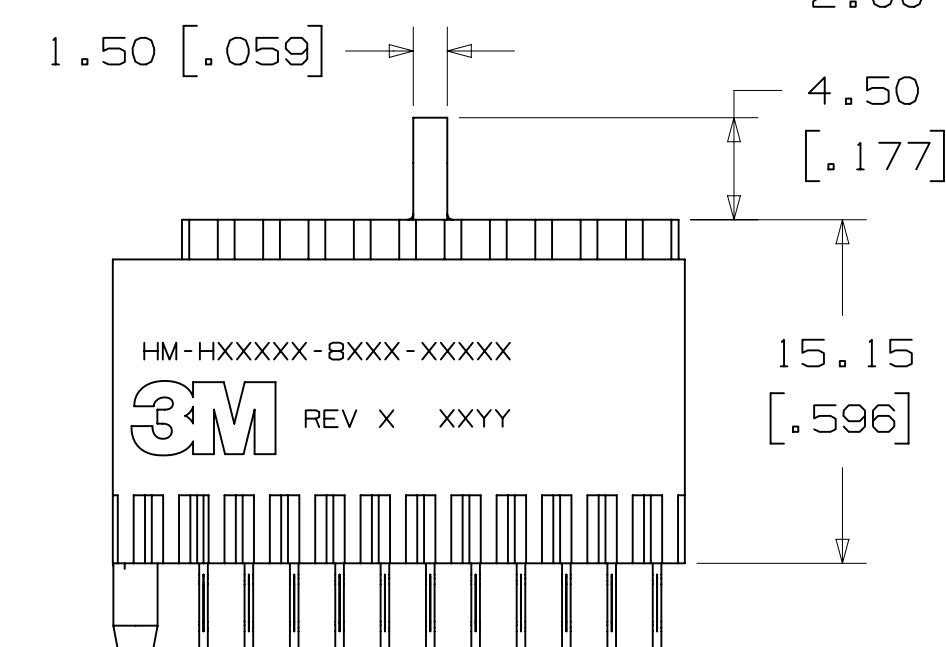
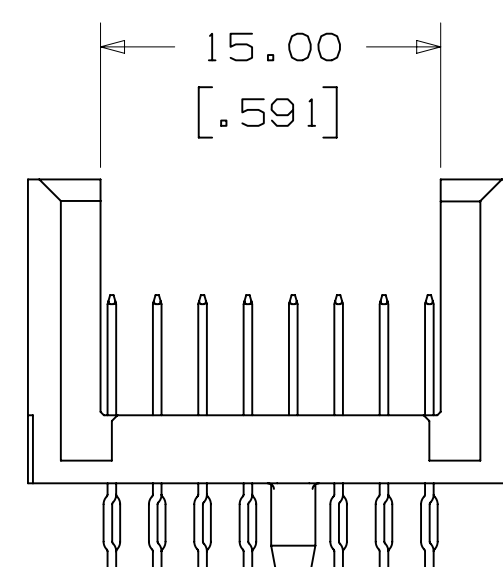
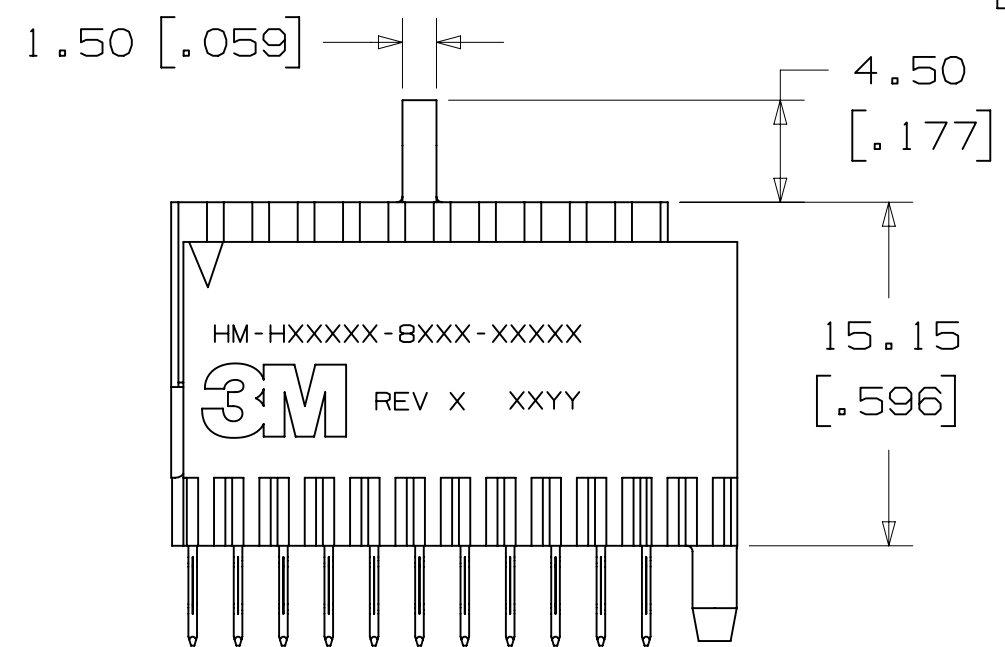
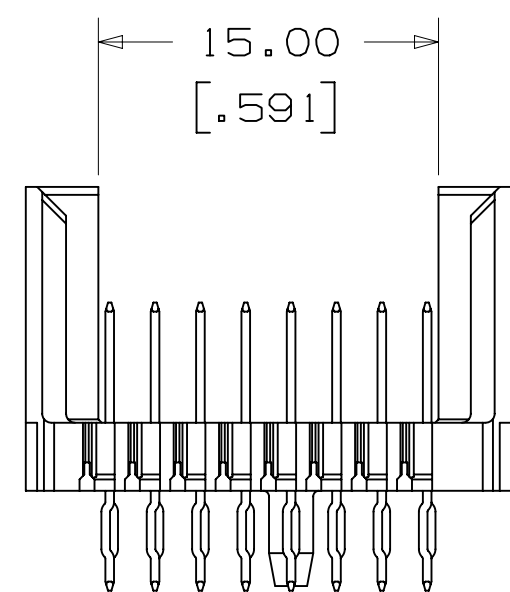
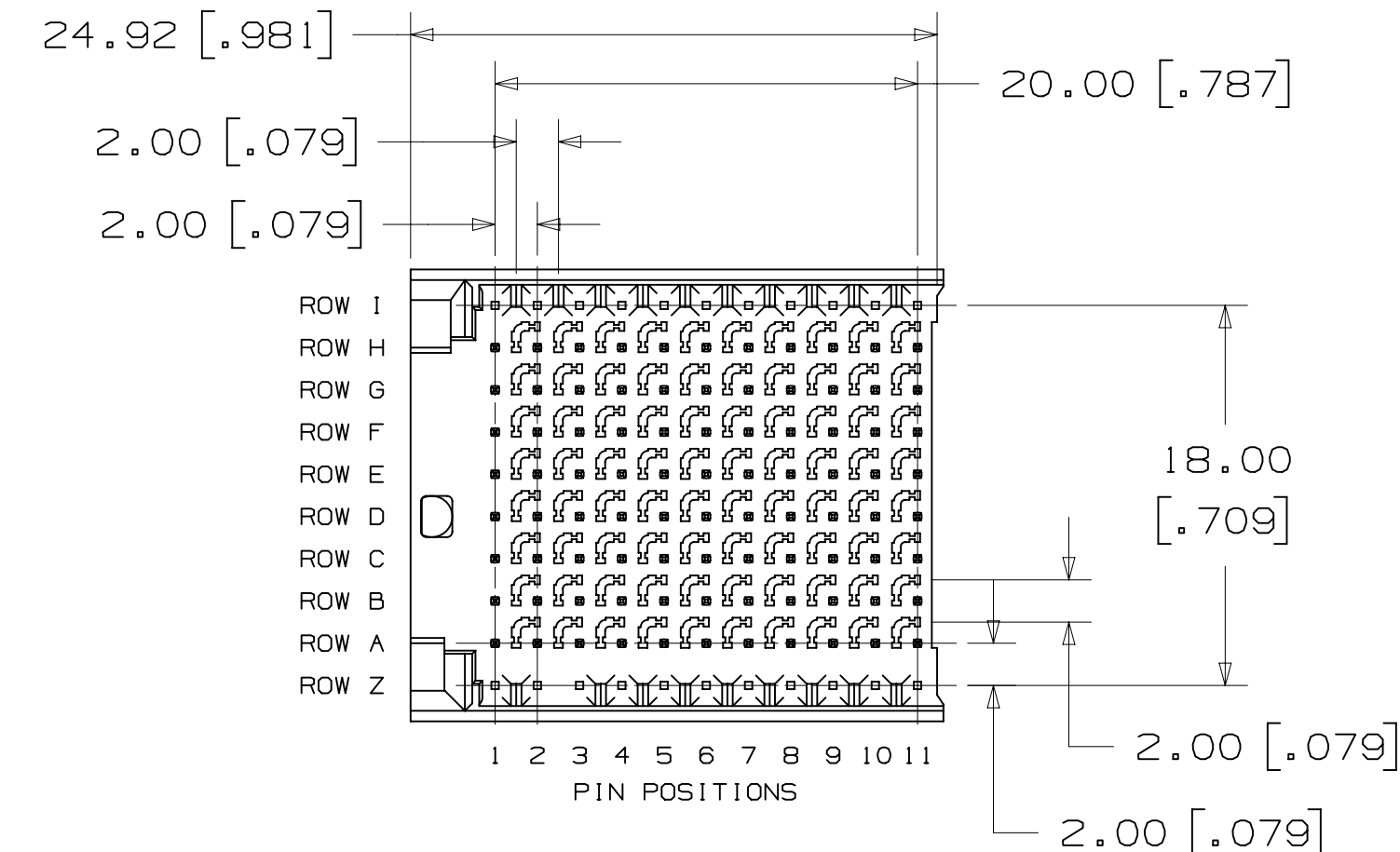
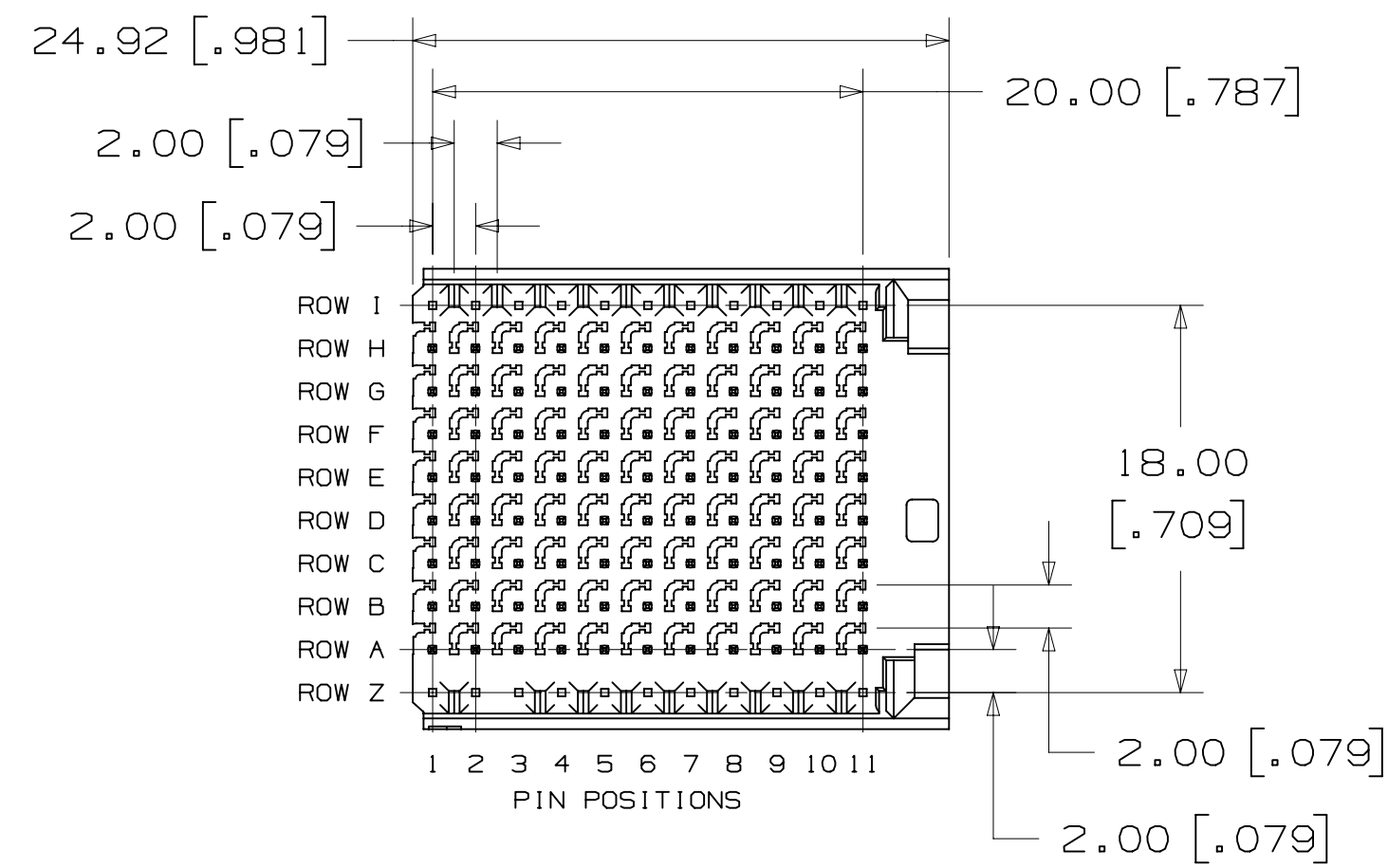
HM-H176DG1-8CX1
HM-H220DG2-8BX1

POWER TAILS
(4 CONTACTS,
12 LEADS)

HM-H176DPWR1-8CXX
HM-H220DPWR2-8BXX

ESD PIN TAIL
LENGTH

DIM. "B" TAIL LENGTH
1 = 4.4 [.17] PIN, 2.0 [.08] POWER
AND 2.0 [.08] ESD
2 = 4.4 [.17] PIN, 4.4 [.17] POWER
AND 2.0 [.08] ESD



HM-H088FL1-8CX1
HM-H110FL2-8BX1

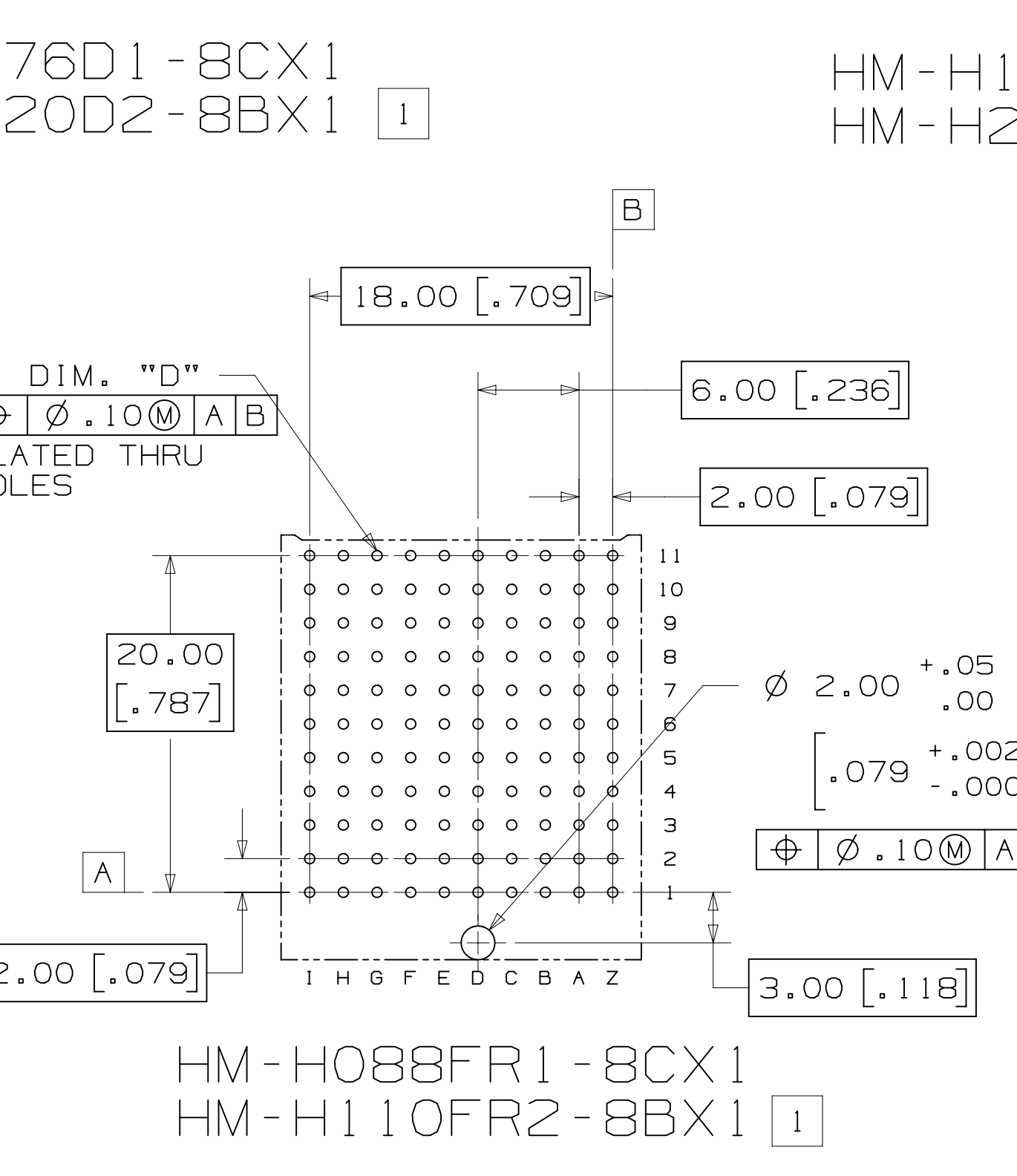
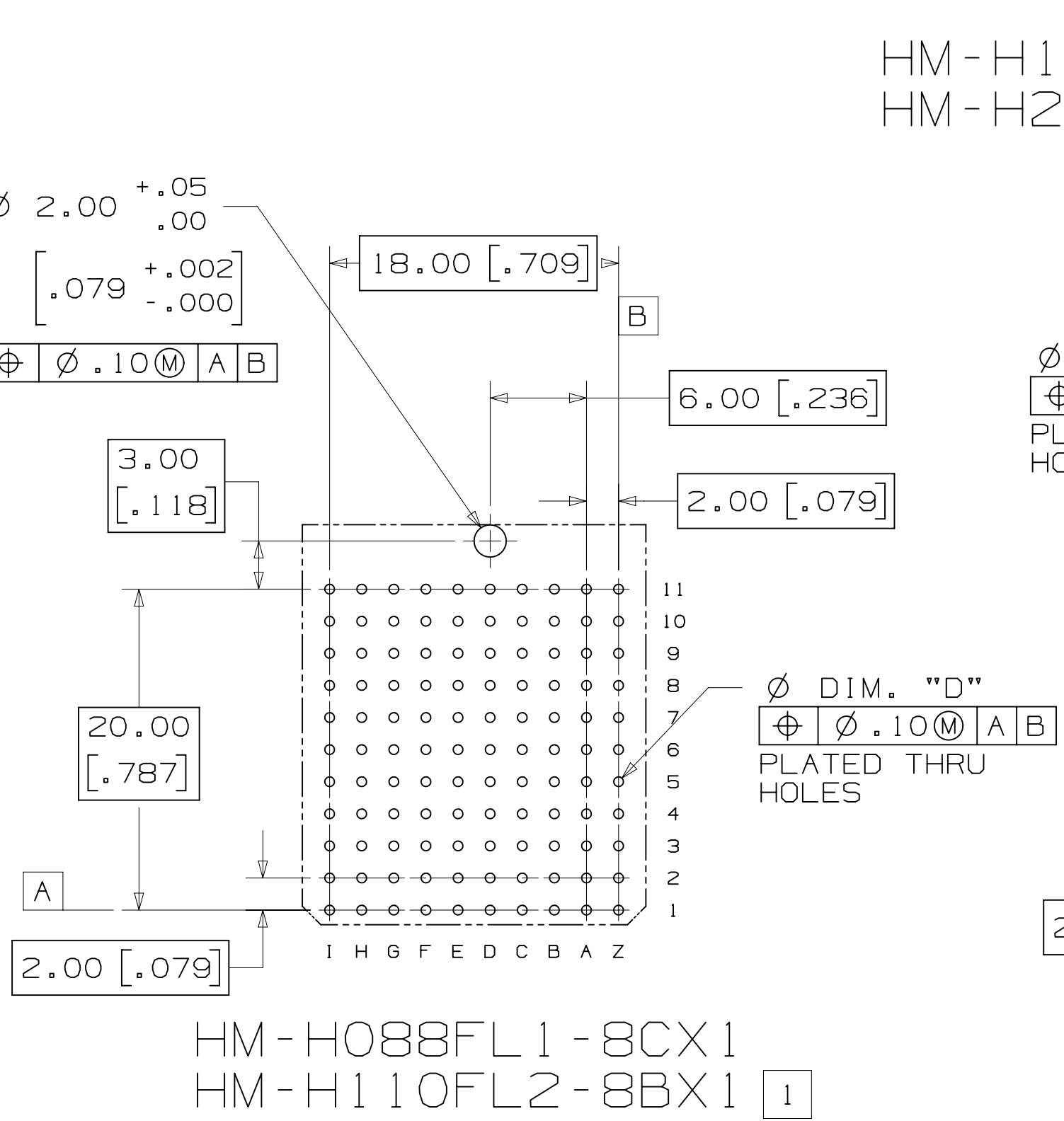
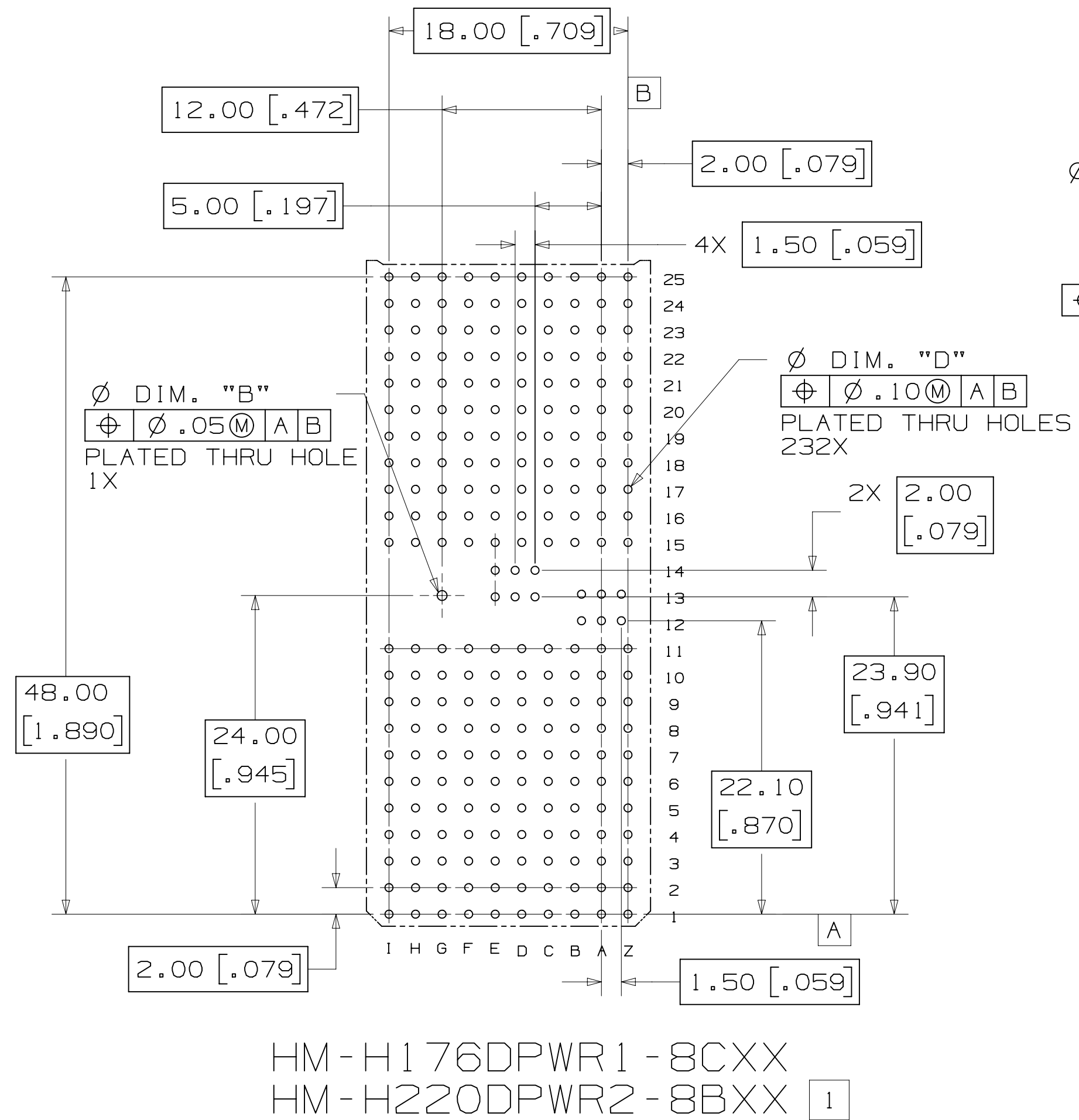
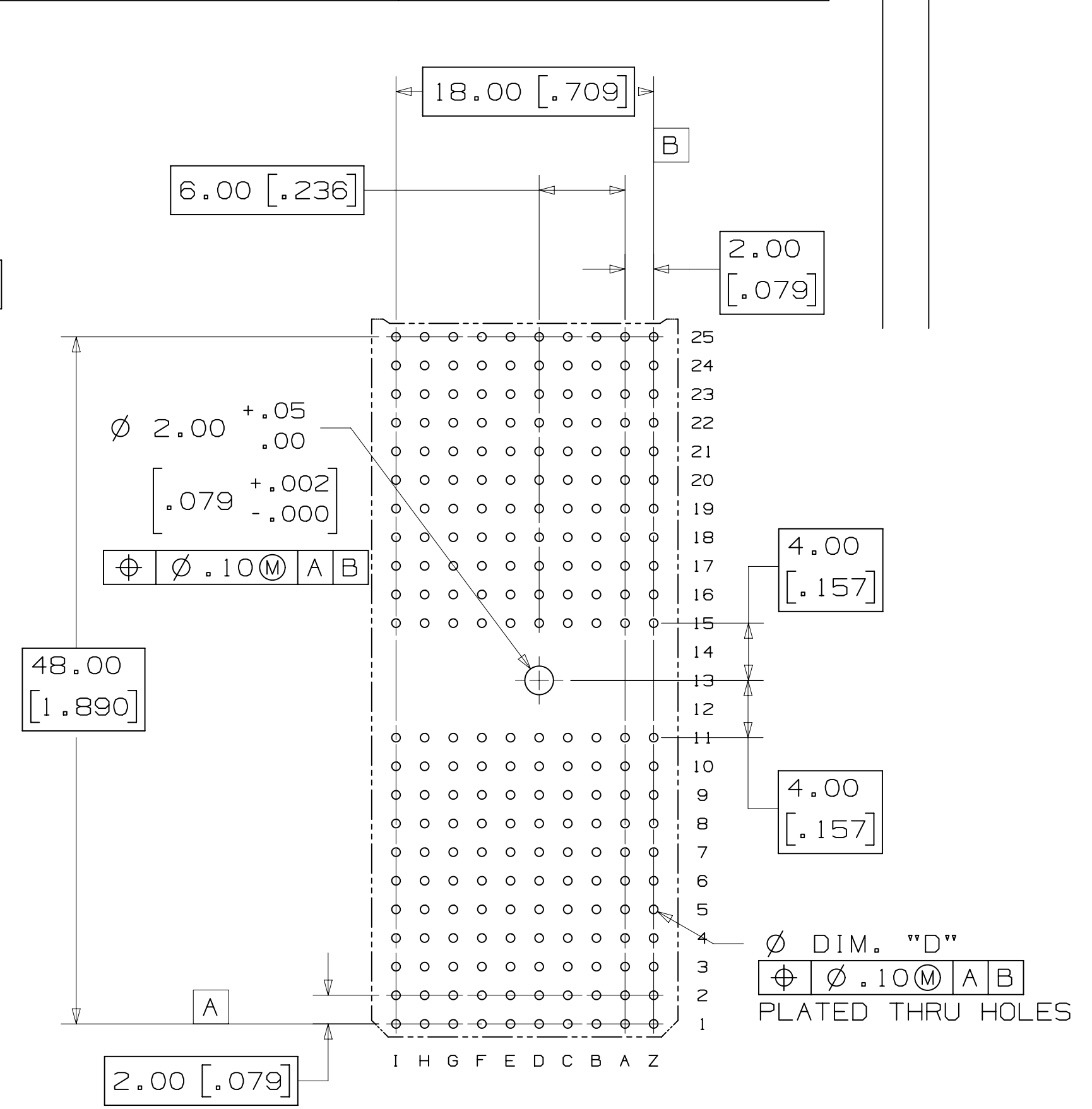
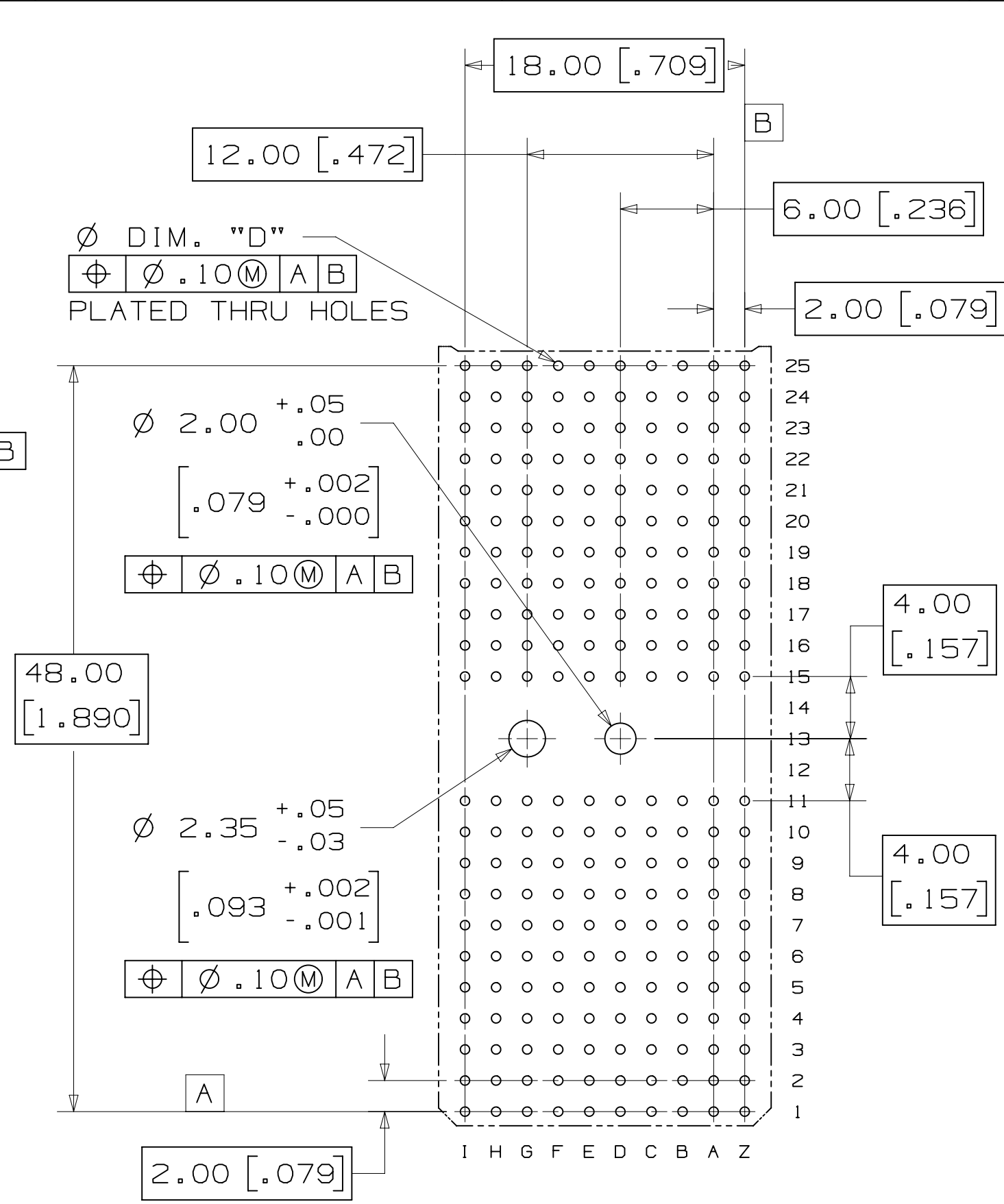
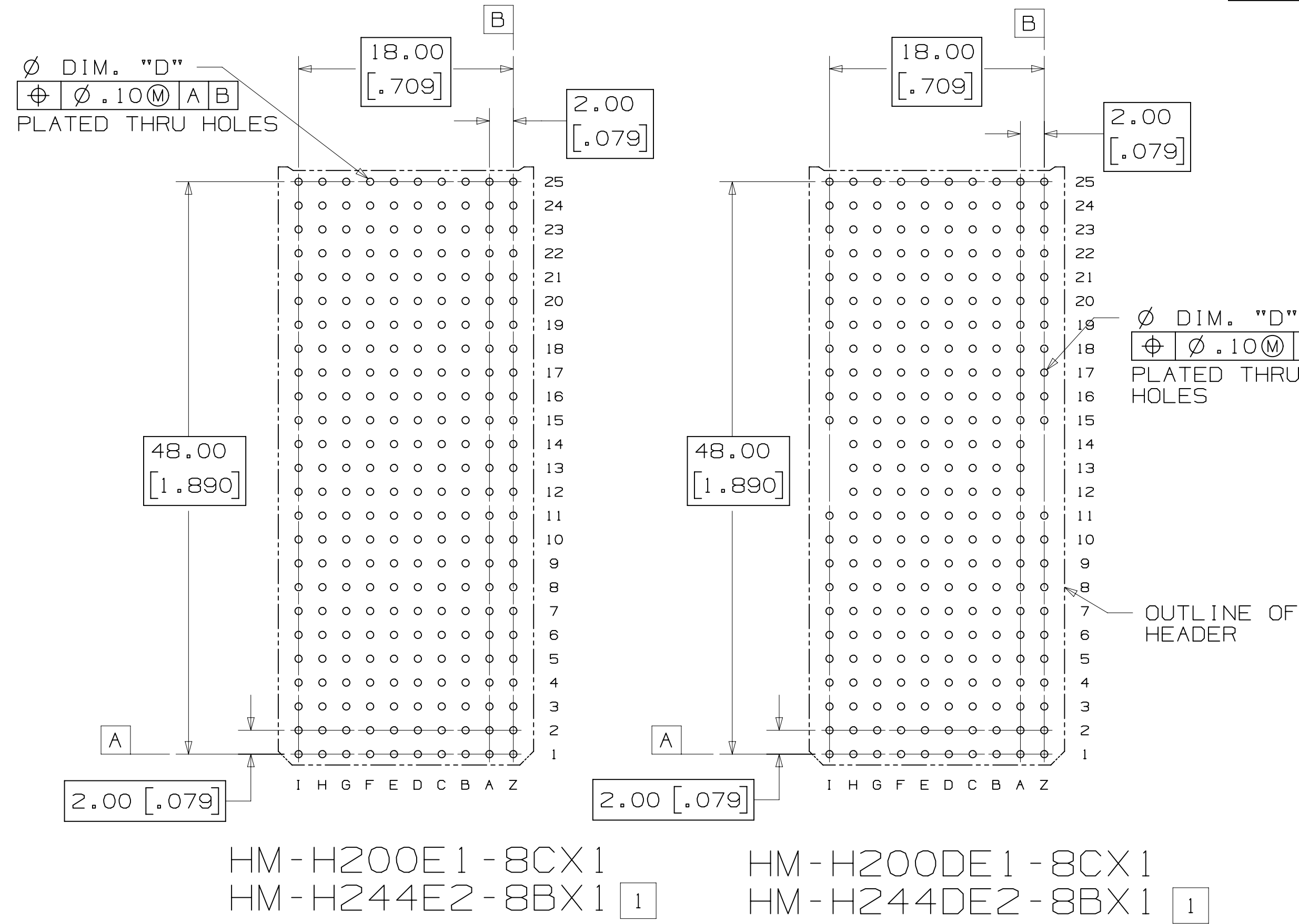
HM-H088FR1-8CX1
HM-H110FR2-8BXX1

DESIGN REFERENCE	NEXT ASSEMBLY	REV	ECO	ISSUE DATE AND DESCRIPTION	DRFT	CHKD
DIVISION	DIVISION CODE	© 3M COPYRIGHT 2012 This document and the information it contains are 3M property and may not be reproduced or further distributed without 3M permission, or used or disclosed other than for 3M authorized purposes. All rights reserved.				
Interconnect Solutions	ISD	3M Center St. Paul, MN 55144				
DO NOT SCALE DRAWING	SCALE 3/1	TITLE HM PRESS-FIT HEADER, 8-ROW, HM SERIES				
THIRD ANGLE PROJECTION	INTERPRET PER ASME Y14.5 - 1994	CAGE NUMBER D78-5100-2517-0				
MAX SURFACE ROUGHNESS	MARKED ONLY	MODEL SHT 3 OF 4				
		DATE	DATE	DATE	DATE	DATE
		MAR 28, 2012	MAR 28, 2012	MAR 28, 2012	MAR 28, 2012	MAR 28, 2012
		CHKD	APPV	DATE	DATE	DATE
		CASTIGLIONE	T. SUNIGA			

3M™ HM PRESS-FIT HEADER, 8-ROW, HM SERIES
FOR HARD METRIC APPLICATIONS

HOLE	HOLE PLATING TABLE			
	(FINISHED HOLE)	Cu THICKNESS	SnPb THICKNESS	DRILLED HOLE DIA.
DIM. "B"	.690-.790 [.0270-.0310]	.025-.045 [.0010-.0018]	.008-.018 [.0003-.0007]	.810-.860 [.0320-.0340]
DIM. "D"	.550-.650 [.0217-.0256]	.025-.045 [.0010-.0018]	.008-.018 [.0003-.0007]	.686-.727 [.0270-.0286]

1 ROW 1 AND Z HOLES ARE ONLY USED FOR HM-HXXXX2-8BX1 STYLE HEADER.



RECOMMENDED PCB MOUNTING HOLE PATTERN
(VIEWED FROM COMPONENT SIDE)

DESIGN REFERENCE	NEXT ASSEMBLY	REV	ECO	ISSUE DATE AND DESCRIPTION	DRFT	CHKD
		A	39815	MAR 28, 2012	JNC	TS
DIVISION				DIVISION CODE		
Interconnect Solutions				ISD		
DO NOT SCALE DRAWING	SCALE 3/1	TOLERANCES EXCEPT AS NOTED		3M		
THIRD ANGLE PROJECTION		INCHES		© 3M COPYRIGHT 2012		
INTERPRET PER ASME Y14.5 - 1994		MILLIMETERS		This document and the information it contains are 3M property and may not be reproduced or further distributed without 3M permission, or used or disclosed other than for 3M authorized purposes. All rights reserved.		
MAX SURFACE ROUGHNESS		.00 ± .13		TITLE		
SURFACES MARKED ONLY		.000 ±		HM PRESS-FIT HEADER, 8-ROW, HM SERIES		
		.00 ± .13		CAGE NUMBER		
		.000 ±		D78-5100-2517-0		
		.000 ±		REV. A		
		.000 ±		SHT 4 OF 4		