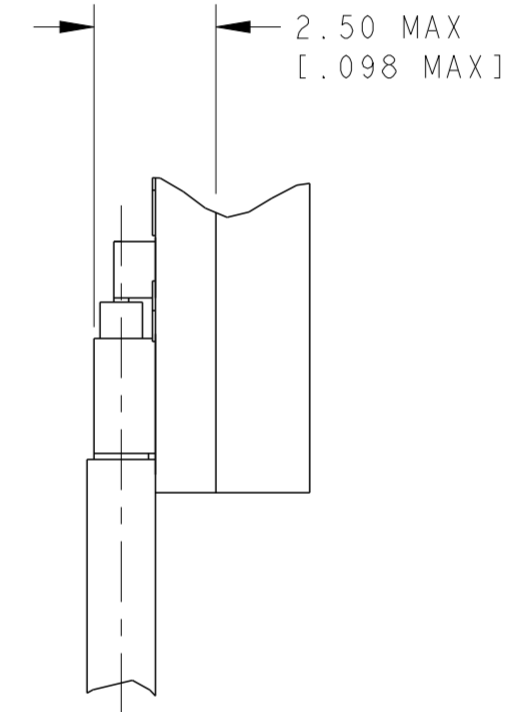
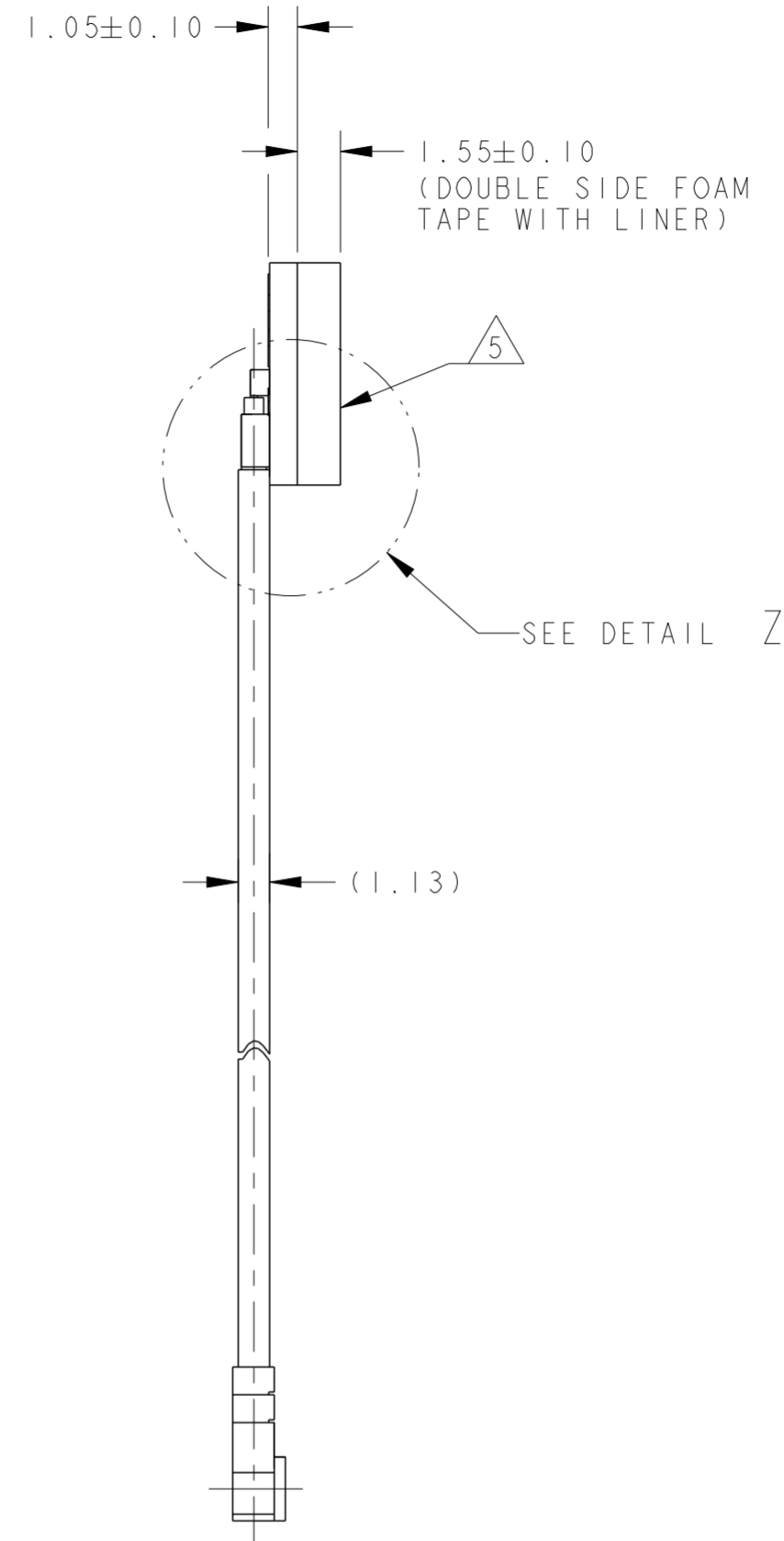
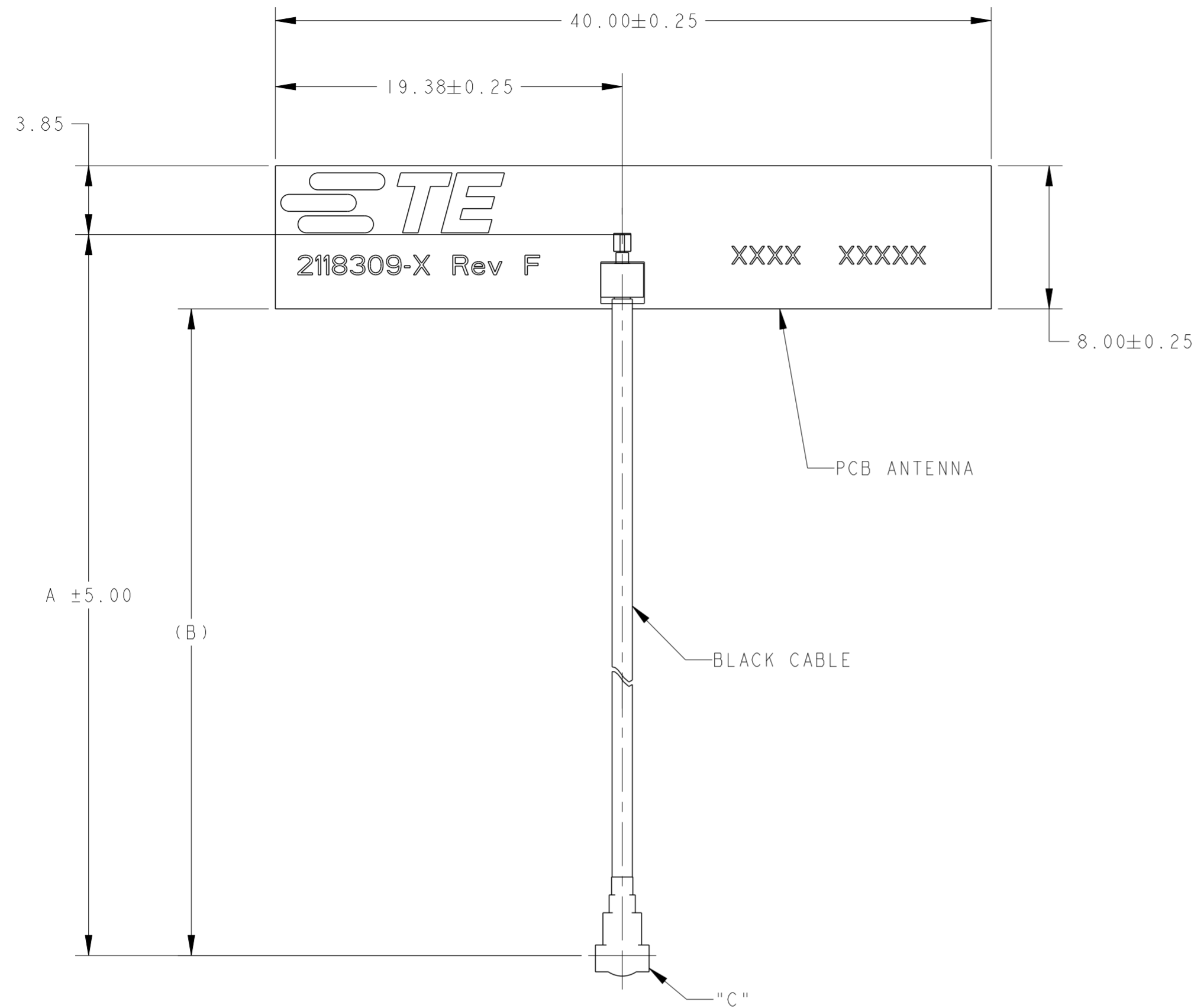


THIS DRAWING IS UNPUBLISHED. RELEASED FOR PUBLICATION 20
 © COPYRIGHT 20 BY TYCO ELECTRONICS CORPORATION ALL RIGHTS RESERVED.

LOC	DIST	REVISIONS			
P	LTR	DESCRIPTION	DATE	DWN	APVD
00	AJ				
	DI	UPDATE CONN TYPE WORDING -1,-2	21OCT2015	JPS	JLKM
	E	REVISED PER ECO-16-005878	13APR2016	JPS	JLM
	F	REVISED PER ECO-17-000307	11JAN2017	AP	JLM



DETAIL Z
 SOLDERING DETAIL
 SCALE 8:1

- ASSEMBLY IS RoHS COMPLIANT.
- MINIMUM IDENTIFICATION INCLUDES:
 TOP LAYER: TE LOGO, TE ASSEMBLY PART NUMBER, ASSEMBLY REVISION LETTER, AND FOUR DIGIT DATE CODE (FIRST 2 DIGITS FOR THE WEEK CODE AND THE 2ND TWO DIGITS FOR THE YEAR CODE).
- MATERIALS: PCB MATERIAL
 TOTAL THICKNESS: 1.05, SINGLE SIDE, 1/2 OUNCE COPPER.
- OVERPLATING: PLATING ON EXPOSED COPPER AREAS TO BE E.N.I.G. FINISH.
- REMOVE LINER FROM DOUBLE SIDED FOAM TAPE 3M VHB RP62 TO APPLY ANTENNA IN APPLICATION.
- PRODUCT PACKAGED IN A BAG.
- CONSULT TE CONNECTIVITY DATA SHEET DS2118309.

MHF	(60.00)	64.15	2118309-8
MHF 4	(370.85)	375.00	2118309-6
	(220.85)	225.00	2118309-5
	(115.85)	120.00	2118309-4
MHF	(45.85)	50.00	2118309-3
	(268.85)	273.00	2118309-2
	(115.85)	120.00	2118309-1
"C" CONNECTOR TYPE	(B)	A	PART NUMBER

THIS DRAWING IS A CONTROLLED DOCUMENT.

DWN K. FOLTZ 11MAR2013	TE Connectivity
CHK G. GRIFFITH 11MAR2013	
APVD G. GRIFFITH 11MAR2013	
PRODUCT SPEC	
APPLICATION SPEC	NAME WLAN DUAL BAND ANTENNA, 1.13 CABLE PCB GP INDEPENDENT
WEIGHT	SIZE CAGE CODE DRAWING NO RESTRICTED TO A200779 C-2118309
CUSTOMER DRAWING	SCALE 4:1 SHEET 1 OF 1 REV F