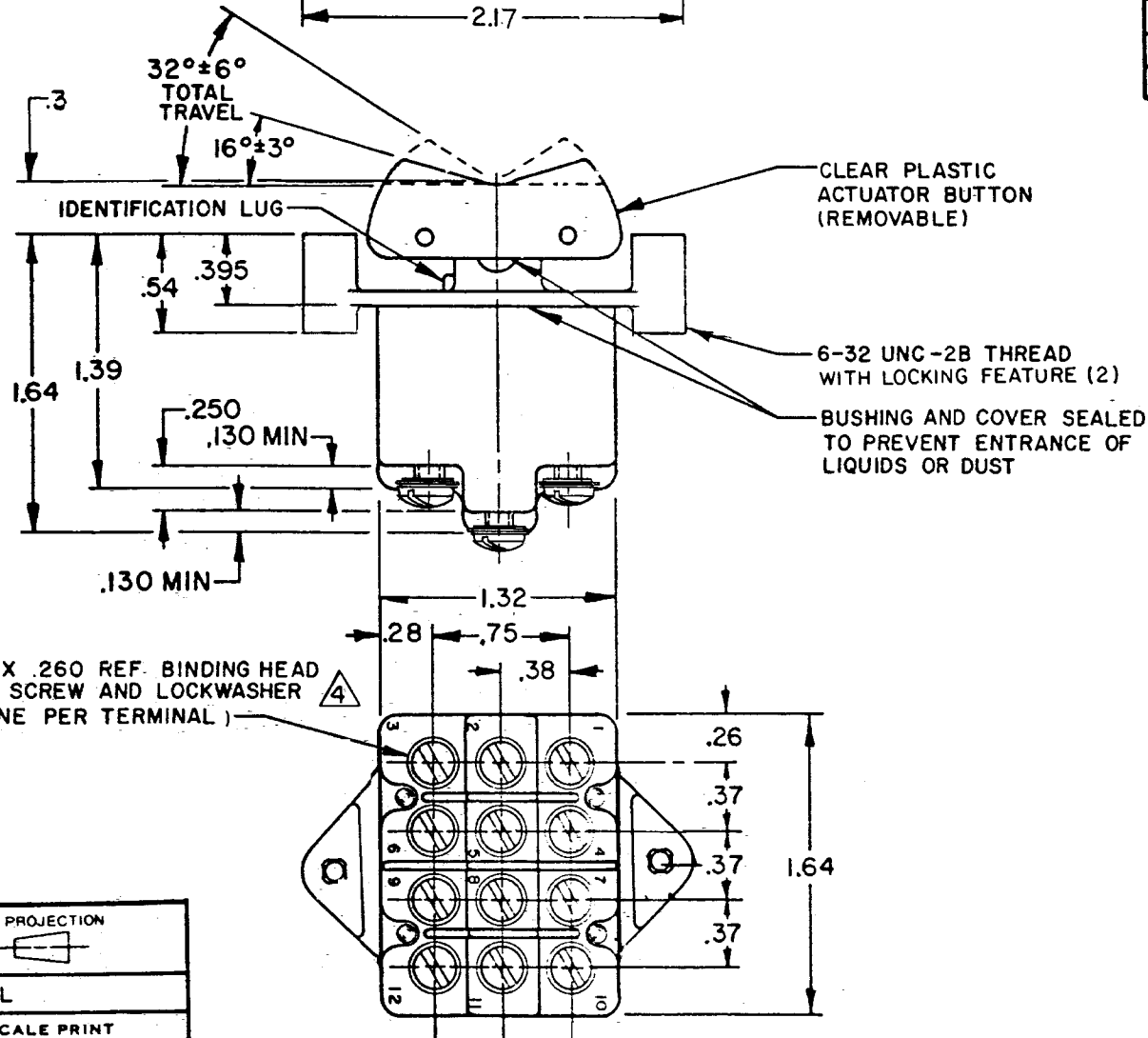
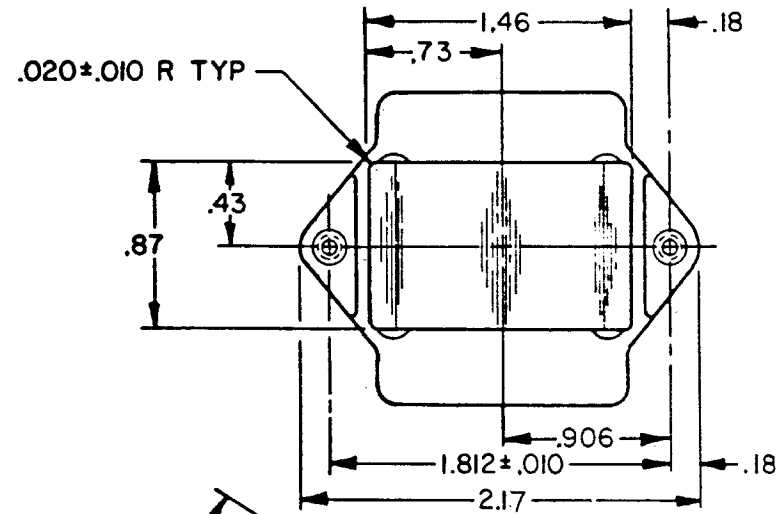


MICRO SWITCH
FREEPORT ILLINOIS U.S.A.
A DIVISION OF HONEYWELL
FED. MFG. CODE 91929

**SWITCH-TOGGLE
FLUSH KEY**

CATALOG LISTING
4TP12 SERIES
CHART 1

THIS DRAWING COVERS A PROPRIETARY ITEM AND IS THE PROPERTY OF MICRO SWITCH A DIVISION OF HONEYWELL. THIS DRAWING IS NOT TO BE COPIED OR USED WITHOUT THE APPROVAL OF MICRO SWITCH.



CIRCUIT MADE WITH
BUTTON DEPRESSED ON

CATALOG LISTING	CIRCUIT MADE WITH BUTTON DEPRESSED ON		
	LUG SIDE (1-2,4-5 7-8,10-11)	CENTER (1-2,4-5 7-8,10-11)	OPPOSITE LUG (2-3,5-6 8-9,11-12)
4TP12-1	ON	OFF	ON
4TP12-2	OFF	NONE	ON
4TP12-3	ON	NONE	ON
4TP12-21	NONE	OFF	ON
4TP12-31	NONE	ON	ON
4TP12-4	MOM OFF	NONE	ON
4TP12-5	MOM ON	OFF	ON
4TP12-6	MOM ON	NONE	OFF
4TP12-7	MOM ON	OFF	MOM ON
4TP12-8	MOM ON	NONE	ON
4TP12-51	NONE	ON	MOM ON
4TP12-61	MOM ON	OFF	NONE

L191 15A 125, 250, 277 VAC
1/2HP 125 VAC
1HP 250, 277 VAC
5A 125 VAC "L"



L192 10A 125, 250, 277 VAC
1/4HP 125 VAC,
1/2HP 250, 277 VAC
3A 125 VAC "L"



NOTES

- 1 - MICRO SWITCH CATALOG LISTING MARKED ON SIDE OF SWITCH
- 2 - THESE SWITCHES WILL WITHSTAND TEMPERATURE OF 160°F
- 3 - APPLIES ONLY TO "ON" AND "MOMENTARY ON" POSITIONS
- 4 - SCREWS FURNISHED UNASSEMBLED

THIRD ANGLE PROJECTION

SCALE FULL
DO NOT SCALE PRINT

TOLERANCES
APPLY TO DESIGN UNITS. CONVERSIONS ARE ONLY FOR REFERENCE. UNLESS NOTED, TOLERANCES ARE ±

DIM.	TOL.	DIM.	TOL.
PLACES	IN	PLACES	IN
NO PLACES	X	NO PLACES	X
ONE PLACE	X,X	ONE PLACE	X,X
TWO PLACES	X,XX	TWO PLACES	X,XX
THREE PLACES	X,XXX	THREE PLACES	X,XXX
ANGLES		ANGLES	

DESIGN UNITS SI METRIC US CUSTOMARY

RAW MATERIAL-COMMERCIAL STANDARD
MICRO SWITCH STANDARDS APPLY
DIMENSIONS ARE TO BE MET BEFORE
PROTECTIVE COATINGS ARE APPLIED

WEIGHT