

Plug-in connector set - DC-B 6-SET-WF-M20R-M-7X4-UT - 1602232

Please be informed that the data shown in this PDF Document is generated from our Online Catalog. Please find the complete data in the user's documentation. Our General Terms of Use for Downloads are valid (<http://download.phoenixcontact.com>)



Duplicon, aluminum panel feed-through set with a panel mounting base, with a stackable housing with M20 cable screw connection thread (without cable screw connection), with two contact inserts 6 x 4 mm² + PE, 400/690 V, 25 A, screw connection and a housing cover, size B6, IP67 protection



Key commercial data

Packing unit	1 PCE
GTIN	
Custom tariff number	85366990
Country of origin	GERMANY

Technical data

Electrical characteristics

Rated voltage (III/3)	400 V (L-PE)
Rated voltage (III/3)	690 V (L-L)
Rated surge voltage	6 kV
Rated current	25 A (with 4 mm ² conductor cross section)
Maximum load current	32 A (L1/L2/L3)
Surge voltage category	III
Pollution degree	3

Material data

Contact material	Cu
Contact surface material	Ag
Contact carrier material	PA
Housing material	Aluminum, die-cast
Housing surface material	EMC-conductive
Seal material	NBR

Plug-in connector set - DC-B 6-SET-WF-M20R-M-7X4-UT - 1602232

Technical data

Material data

Locking latch material	Stainless steel
Material grip body interlock	PA

General characteristics

Design	DC-B6
Degree of protection	IP65/IP66/IP67
Color	pearl gray
Height	77 mm
Insertion/withdrawal cycles	≥ 100
Ambient temperature (operation)	-40 °C ... 100 °C
Number of positions	6
Stripping length of the individual wire	10 mm
Conductor cross section	0.2 mm ² ... 4 mm ² (6 mm ² without ferrule)
Connection cross section AWG	24 ... 12 (AWG 10 without ferrule)
Tightening torque	0.5 Nm ... 0.6 Nm
Pg screw connection	None
Type of the screw connection	With M20 thread
Cable exit	Lateral
Length of the assembly cutout	55 mm
Width of the assembly cutout	55 mm

Classifications

ETIM

ETIM 2.0	EC001121
ETIM 3.0	EC000437
ETIM 4.0	EC000437
ETIM 5.0	EC000437

UNSPSC

UNSPSC 11	39121522
UNSPSC 12.01	39121522
UNSPSC 13.2	39121522
UNSPSC 6.01	30211923
UNSPSC 7.0901	39121522

eCl@ss

eCl@ss 4.0	27140816
------------	----------

Plug-in connector set - DC-B 6-SET-WF-M20R-M-7X4-UT - 1602232

Classifications

eCl@ss

eCl@ss 4.1	27140816
eCl@ss 5.0	27143424
eCl@ss 5.1	27143424
eCl@ss 6.0	27143424
eCl@ss 7.0	27440209

Approvals

Approvals

Approvals

UL Recognized / VDE Gutachten mit Fertigungsüberwachung / cUL Recognized / cULus Recognized

Ex Approvals

Approvals submitted

Approval details

UL Recognized	
mm ² /AWG/kcmil	12
Nominal current I _N	25 A
Nominal voltage U _N	600 V

VDE Gutachten mit Fertigungsüberwachung	
Nominal current I _N	25 A
Nominal voltage U _N	690 V

Plug-in connector set - DC-B 6-SET-WF-M20R-M-7X4-UT - 1602232

Approvals

cUL Recognized	
mm ² /AWG/kcmil	12
Nominal current I _N	25 A
Nominal voltage U _N	600 V

cULus Recognized	
------------------	--

Accessories

Accessories

Grommet - DC-B 6-A-HD-G - 1602326



DUPLICON, profile gasket for stackable housing, made of conductive EPDM

Grommet - DC-B 6-A-HB-G - 1602339



DUPLICON, flat gasket for panel mounting base, made of conductive NBR

Screw - T20-M4X12 - 1602410



M4 Torx head screw T20, 12 mm long, self tapping, consisting of high-strength steel, anti-corrosive

Plug-in connector set - DC-B 6-SET-WF-M20R-M-7X4-UT - 1602232

Accessories

Cable gland - HC-M-KV-M20(9-13) - 1690561



Metal screw connection up to 5 bar, thread length: 6 mm, cable diameter: 9 - 13 mm, WAF 22, screw connection: M20

Cable gland - HC-M-KV-M20(11-16) - 1645998



Metal screw connection up to 5 bar, thread length: 6 mm, cable diameter: 11 - 16 mm, WAF 27, screw connection: M20

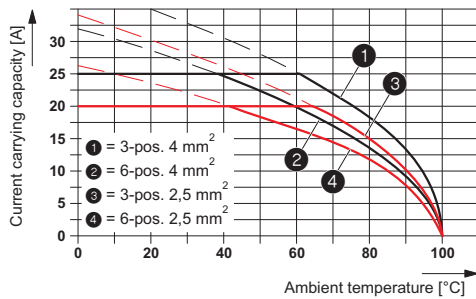
Cover caps - HC-M-BS-M20 - 1645846



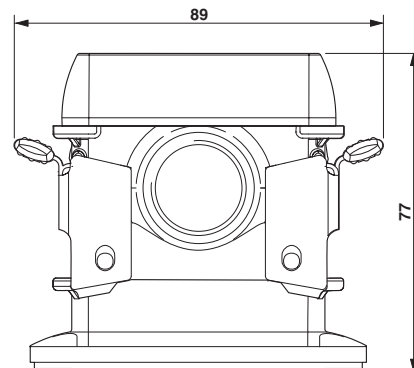
Cover cap, metal, size: M20

Drawings

Diagram



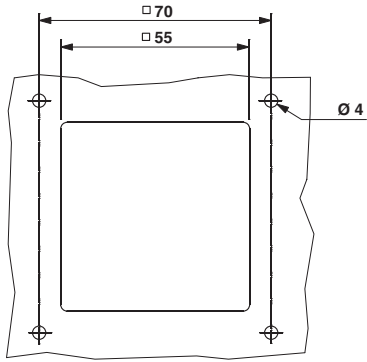
Dimensioned drawing



Dimensional drawing

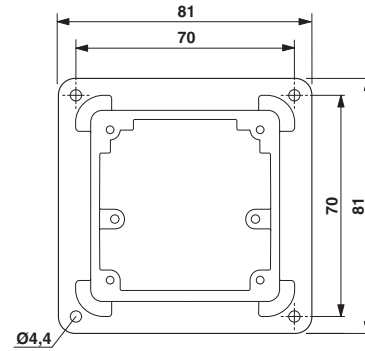
Plug-in connector set - DC-B 6-SET-WF-M20R-M-7X4-UT - 1602232

Dimensioned drawing



Panel cutout: DC-B 6-SET-WF...

Dimensioned drawing



Dimensional drawing (lateral view)