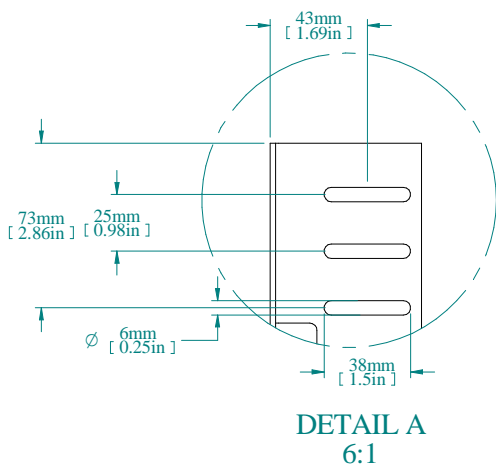


L.S. VIEW

FRONT VIEW

R.S. VIEW



| PART NUMBERS | |
|--------------|-----------------------------------|
| HPR20SZPL | 12 GAUGE ZINC PLATED (ZPL FINISH) |

| NOTES |
|---|
| Can mount directly to frame in full front and full back positions or can have full front back depth adjustment when used with depth grid straps.(Sold separately) |
| Provides 19" mounting centers and sold in pairs |
| Hammond Website for Additional Accessories |

Data subject to change without notice. Isometric drawing not to scale.

**HAMMOND
MANUFACTURING™**

www.hammondmfg.com

PART NO. HPR20SZPL