

CIRCUIT: SPST  
ON - NONE - OFF

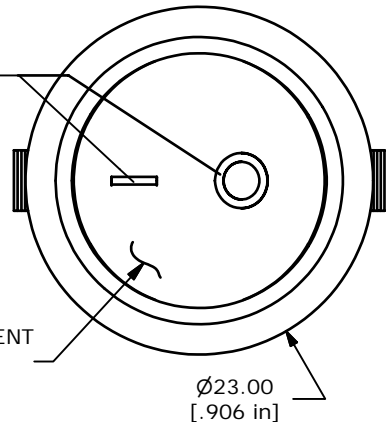
SWITCH FUNCTION	
POS. 1	POS. 2
ON	OFF
2-1	OPEN

NOTES:

1. ALL DIMENSIONS IN MM [INCH]
2. GENERAL TOLERANCE: x.x=±0.4  
x.xx=±0.25
3. TERM. NOS. FOR REF. ONLY
4. RATING:  
16A @ 125VAC, 10A @ 250VAC : UL & CUL APPROVED  
10A @ 125VAC, 6A @ 250VAC : VDE APPROVED
5. CONTACT RESISTANCE: 50 MILLI-OHMS MAX.
6. INSULATION RESISTANCE: DC 500V 100 OHM MIN.
7. DIELECTRIC STRENGTH: AC 1500V 1 MINUTE
8. OPERATING TEMP: -20°C TO 85°C
9. PANEL THICKNESS: 0.7 - 3.0 mm
10. LAMP: 220 VAC NEON BULB
11. ▲ DENOTES CRITICAL PARAMETER
12. 2002/95/EC (ROHS) COMPLIANT

▲ CHARACTER MARKINGS ARE PRINTED WHITE

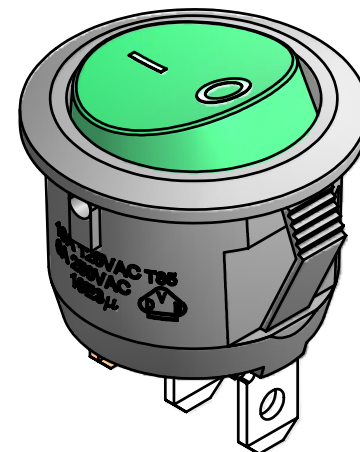
▲ TRANSPARENT GREEN BUTTON



R10.10<sup>+0.10</sup>/<sub>-0.00</sub>  
[.398<sup>+0.004</sup>/<sub>-0.000</sub> in]

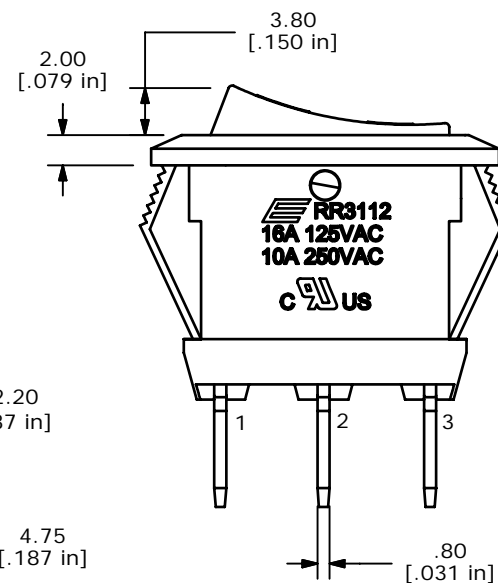
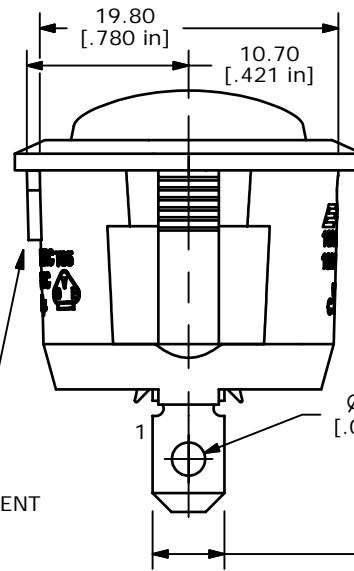
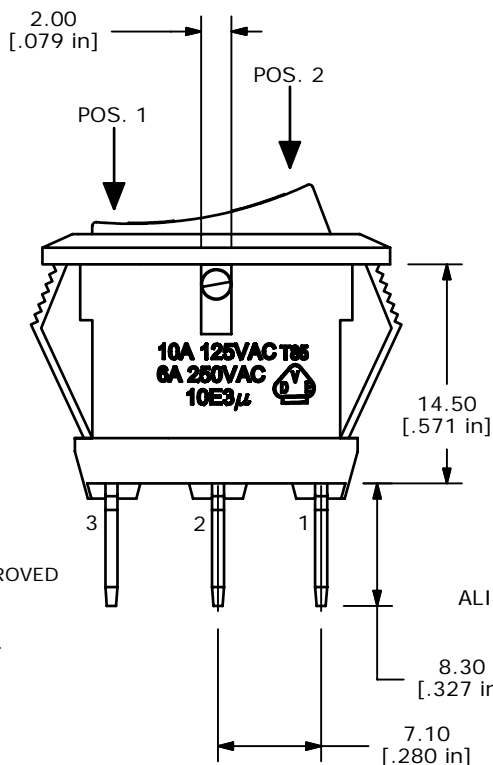
2.20<sup>+0.10</sup>/<sub>-0.00</sub>  
[.087<sup>+0.004</sup>/<sub>-0.000</sub> in]

11.00<sup>+0.10</sup>/<sub>-0.00</sub>  
[.433<sup>+0.004</sup>/<sub>-0.000</sub> in]



RECOMMENDED PANEL MOUNTING

CONTACT FACTORY FOR PANELS  
0.7 - 1.99 mm THICK



A	18473	RELEASE FOR PRODUCTION	4/27/09	BLR
REV	PCR NO	DESCRIPTION	DATE	BY

TITLE RR3112BBLKGRNFF2				
SCALE	DATE	DR	DWG	REV
2:1	4/27/2009	BLR	F130461	A

THE INFORMATION CONTAINED IN THIS DOCUMENT IS PROPRIETARY TO E-SWITCH AND IS NOT TO BE COPIED OR TRANSFERRED