

10

9

8

7

6

5

4

3

2

1

F

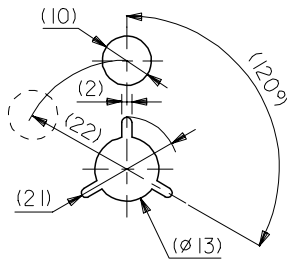
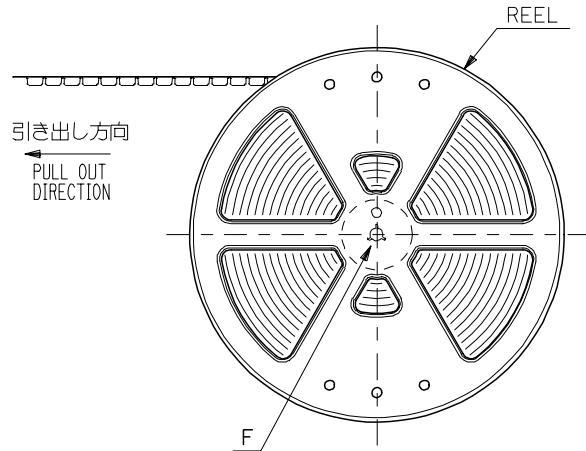
E

D

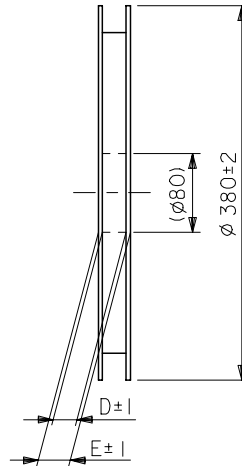
C

B

A

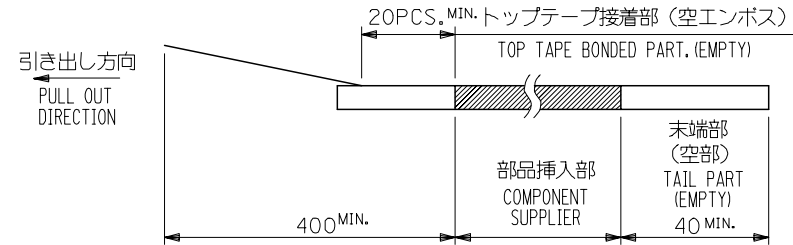


DETAIL F

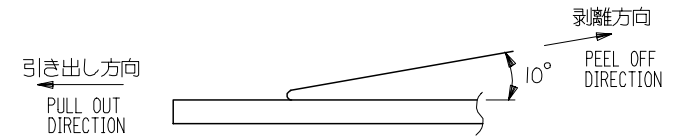


## NOTES

- 製品詳細寸法については図面 SD-54548-037 を参照下さい。  
RE DETAILED DIMENSION, SEE SD-54548-037.
- 梱包数量：3000個/リール  
NUMBER OF CONNECTORS : 3000PCS/REEL
- リードテープ長さ LEAD TAPE LENGTH



- トップテープの剥離強度：0.1N ~ 1.3N { 10gf ~ 130gf }  
(剥離方向は下図参照)  
尚、本規格値は出荷時に適用。(但し、輸送時に剥離が発生しないこと。)  
PEELING OFF FORCE OF TOP TAPE : 0.1N ~ 1.3N (10gf ~ 130gf)  
(PEELING DIRECTION AS SHOWN IN FOLLOWING FIG.)  
THIS REQUIREMENT SHOULD BE APPLIED AT SHIPMENT.  
PEEL OFF SHOULD NOT BE ALLOWED , DURING TRANSPORTATION.



- 材料 (MATERIAL)  
キャリアテープ (CARRIER TAPE) : ポリプロピレン (POLYPROPYLENE)  
トップテープ (TOPTAPE) : PET , PE , PEF  
リール (REEL) : ポリスチレン (PS) <リサイクル材を含む>  
POLYSTYRENE (PS) <RECYCLE MATERIAL CONTAINED>

- 本製品は54548-\*\*-90の鉛フリー品である。  
THIS PRODUCT IS LEAD FREE OF 54548-\*\*-90.

|  |  |  |  |                           |   |                        |
|--|--|--|--|---------------------------|---|------------------------|
| REVISED<br>EC NO: J2005-2516<br>DRAWN: NABEI 2005/02/28<br>CHKD: KTOYODA 2005/02/28<br>APPR: NUKITA 2005/03/07 | GENERAL TOLERANCES<br>(UNLESS SPECIFIED) |  | DIMENSION STYLE<br>MM ONLY   |                           | 54548-**-70   | MODEL NO.              |
|  | 10 UNDER                                 | ±0.2   | DRAWN BY<br>Y. WADA  | DATE<br>2004/01/09        | SCALE<br>---  | DESIGN UNITS<br>METRIC |
|  | 10 OVER 30 UNDER                         | ±0.25  | CHECKED BY<br>M. SASAO   | DATE<br>2004/01/09        | THIRD ANGLE<br>PROJECTION   |                        |
|  | 30 OVER                                  | ±0.3   | APPROVED BY<br>M. SASAO  | DATE<br>2004/01/09        | TITLE<br>EMBSTP PKG FOR 0.5 FPC<br>CONN ZIF HSG ASSY<br>-LEAD FREE- |                        |
|  | ANGULAR ±3 °                             | DRAFT WHERE APPLICABLE<br>MUST REMAIN<br>WITHIN DIMENSIONS |  | MATERIAL NO.<br>SEE CHART | MOLEX INCORPORATED  |                        |
|  |  | SIZE<br>A3   | THIS DRAWING CONTAINS INFORMATION THAT IS PROPRIETARY TO MOLEX<br>INCORPORATED AND SHOULD NOT BE USED WITHOUT WRITTEN PERMISSION |                           | DOCUMENT NO.<br>SD-54548-038  | SHEET NO.<br>1 OF 4    |

9

8

7

6

5

4

3

2

10 9 8 7 6 5 4 3 2 1

F

E

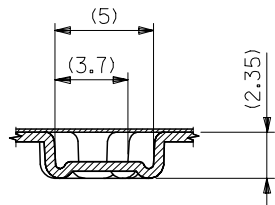
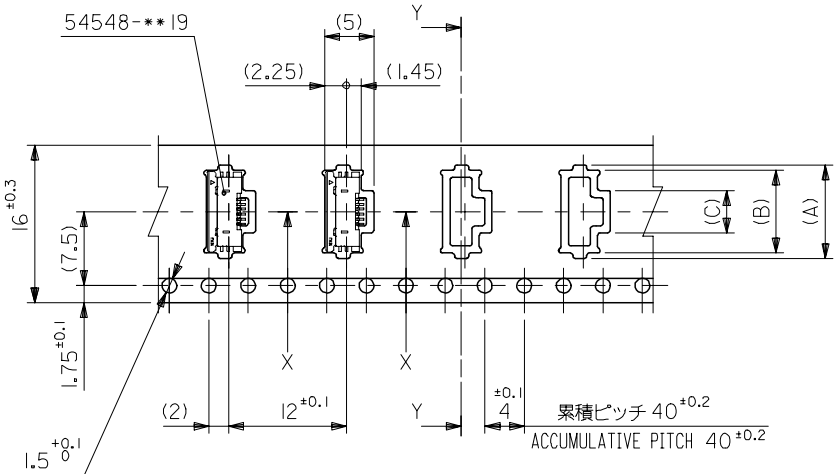
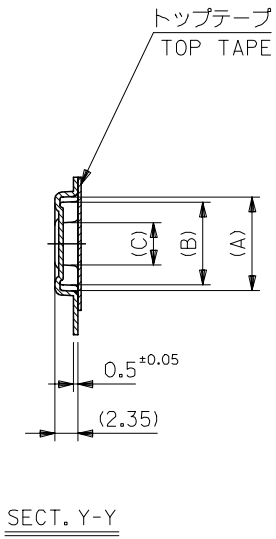
D

C

B

A

引き出し方向  
PULL OUT DIRECTION



16mm幅キャリアテープ  
16mm WIDTH CARRIER TAPE

|                                |      |      |     |     |     |                      |               |
|--------------------------------|------|------|-----|-----|-----|----------------------|---------------|
| 16                             | 21.4 | 17.4 | 4.3 | 8.4 | 9.5 | 54548-0670           | 6             |
|                                |      |      | 3.8 | 7.9 | 9   | 54548-0570           | 5             |
|                                |      |      | 3.3 | 7.4 | 8.5 | 54548-0470           | 4             |
| キャリアテープ幅<br>CARRIER TAPE WIDTH | E    | D    | (C) | (B) | (A) | 製品番号<br>MATERIAL No. | 極数<br>CIRCUIT |

|   |                                       |            |                            |  |                              |                        |                        |
|---|---------------------------------------|------------|----------------------------|--|------------------------------|------------------------|------------------------|
| REVISED<br>EC No: J2005-2516<br>2005/02/28<br>DRAWN: NABEI<br>2005/02/28<br>CHKD: KTOYODA<br>2005/03/07<br>APPR: NUKITA | GENERAL TOLERANCES (UNLESS SPECIFIED) |            | DIMENSION STYLE<br>MM ONLY |  | SCALE<br>2:1                 | DESIGN UNITS<br>METRIC | THIRD ANGLE PROJECTION |
|   | 10 UNDER                              | ±0.2       | DRAWN BY<br>Y. WADA        |  | DATE<br>2004/01/09           |                        |                        |
|   | 10 OVER 30 UNDER                      | ±0.25      | CHECKED BY<br>M. SASAO     |  | DATE<br>2004/01/09           |                        |                        |
|   | 30 OVER                               | ±0.3       | APPROVED BY<br>M. SASAO    |  | DATE<br>2004/01/09           |                        |                        |
|   | ANGULAR                               | ±3 °       | MATERIAL NO.<br>SEE CHART  |  | DOCUMENT NO.<br>SD-54548-038 |                        |                        |
| DRAFT WHERE APPLICABLE<br>MUST REMAIN<br>WITHIN DIMENSIONS  |                                       | SIZE<br>A3 |                            | THIS DRAWING CONTAINS INFORMATION THAT IS PROPRIETARY TO MOLEX<br>INCORPORATED AND SHOULD NOT BE USED WITHOUT WRITTEN PERMISSION |                              |                        | SHEET NO.<br>2 OF 4    |

54548-\*\*\*70 MODEL NO.

EMBSTP PKG FOR 0.5 FPC  
CONN ZIF HSG ASSY  
-LEAD FREE-

MOLEX MOLEX INCORPORATED

10 9 8 7 6 5 4 3 2 1

F

E

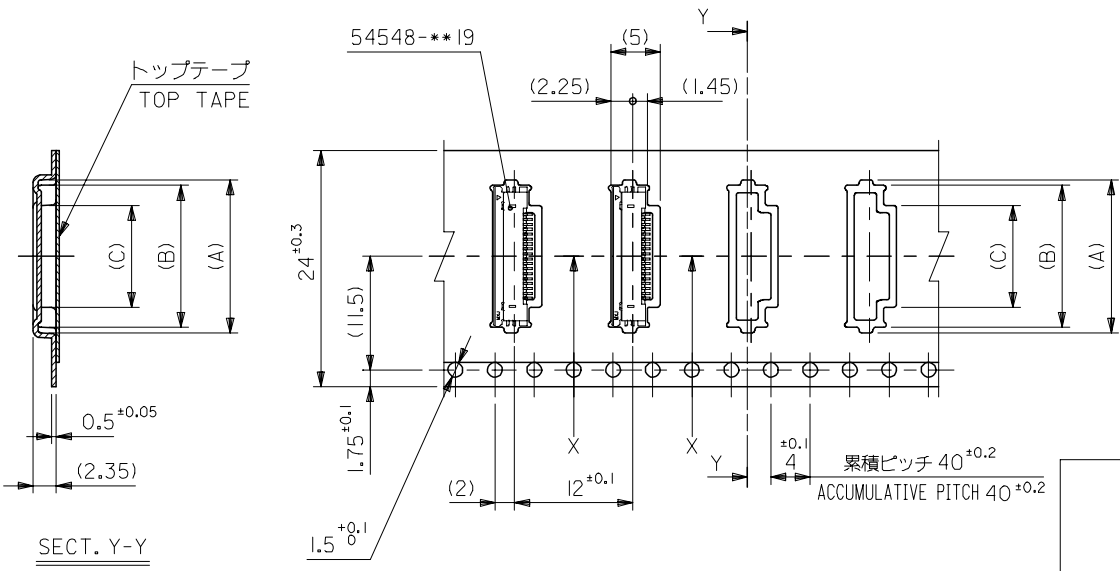
D

C

B

A

引き出し方向  
PULL OUT DIRECTION



24mm幅キャリアテープ  
24mm WIDTH CARRIER TAPE

|                                |      |      |            |      |             |                      |               |
|--------------------------------|------|------|------------|------|-------------|----------------------|---------------|
| 24                             | 29.4 | 25.4 | 12.3       | 16.4 | 17.5        | 54548-2270           | 22            |
|                                |      |      | 11.8       | 15.9 | 17          | 54548-2170           | 21            |
|                                |      |      | 11.3       | 15.4 | 16.5        | 54548-2070           | 20            |
|                                |      |      | 10.8       | 14.9 | 16          | 54548-1970           | 19            |
|                                |      |      | 10.3       | 14.4 | 15.5        | 54548-1870           | 18            |
|                                |      |      | 9.8        | 13.9 | 15          | 54548-1770           | 17            |
|                                |      |      | 9.3        | 13.4 | 14.5        | 54548-1670           | 16            |
|                                |      |      | 8.8        | 12.9 | 14          | 54548-1570           | 15            |
|                                |      |      | 8.3        | 12.4 | 13.5        | 54548-1470           | 14            |
|                                |      |      | 7.8        | 11.9 | 13          | 54548-1370           | 13            |
|                                |      |      | 7.3        | 11.4 | 12.5        | 54548-1270           | 12            |
|                                |      |      | 6.8        | 10.9 | 12          | 54548-1170           | 11            |
|                                |      |      | 6.3        | 10.4 | 11.5        | 54548-1070           | 10            |
|                                |      |      | 5.8        | 9.9  | 11          | 54548-0970           | 9             |
| 5.3                            | 9.4  | 10.5 | 54548-0870 | 8    |             |                      |               |
| 4.8                            | 8.9  | 10   | 54548-0770 | 7    |             |                      |               |
| キャリアテープ幅<br>CARRIER TAPE WIDTH |      |      | E          | D    | (C) (B) (A) | 製品番号<br>MATERIAL No. | 極数<br>CIRCUIT |

|  |                                       |       |                            |  |  |                        |   |  |
|--|---------------------------------------|-------|----------------------------|--|--|------------------------|---|--|
| REVISED<br>EC No: J2005-2516<br>2005/02/28<br>DRWN: NABEI<br>2005/02/28<br>CHKD: KTOYODA<br>2005/03/07<br>APPR: NUKITA | GENERAL TOLERANCES (UNLESS SPECIFIED) |       | DIMENSION STYLE<br>MM ONLY |  | SCALE<br>2:1   | DESIGN UNITS<br>METRIC | THIRD ANGLE PROJECTION  |  |
|  | 10 UNDER                              | ±0.2  | DRAWN BY<br>Y. WADA        |  | DATE<br>2004/01/09   |                        | TITLE<br>EMBSTP PKG FOR 0.5 FPC<br>CONN ZIF HSG ASSY<br>-LEAD FREE- |  |
|  | 10 OVER 30 UNDER                      | ±0.25 | CHECKED BY<br>M. SASAO     |  | DATE<br>2004/01/09   |                        | MOLEX INCORPORATED  |  |
|  | 30 OVER                               | ±0.3  | APPROVED BY<br>M. SASAO    |  | DATE<br>2004/01/09   |                        | DOCUMENT NO.<br>SD-54548-038  |  |
|  | ANGULAR                               | ±3 °  | MATERIAL NO.<br>SEE CHART  |  | SHEET NO.<br>3 OF 4  |                        |   |  |
| DRAFT WHERE APPLICABLE<br>MUST REMAIN<br>WITHIN DIMENSIONS   |                                       |       | SIZE<br>A3                 |  | THIS DRAWING CONTAINS INFORMATION THAT IS PROPRIETARY TO MOLEX<br>INCORPORATED AND SHOULD NOT BE USED WITHOUT WRITTEN PERMISSION |                        |   |  |

10 9 8 7 6 5 4 3 2 1

F

E

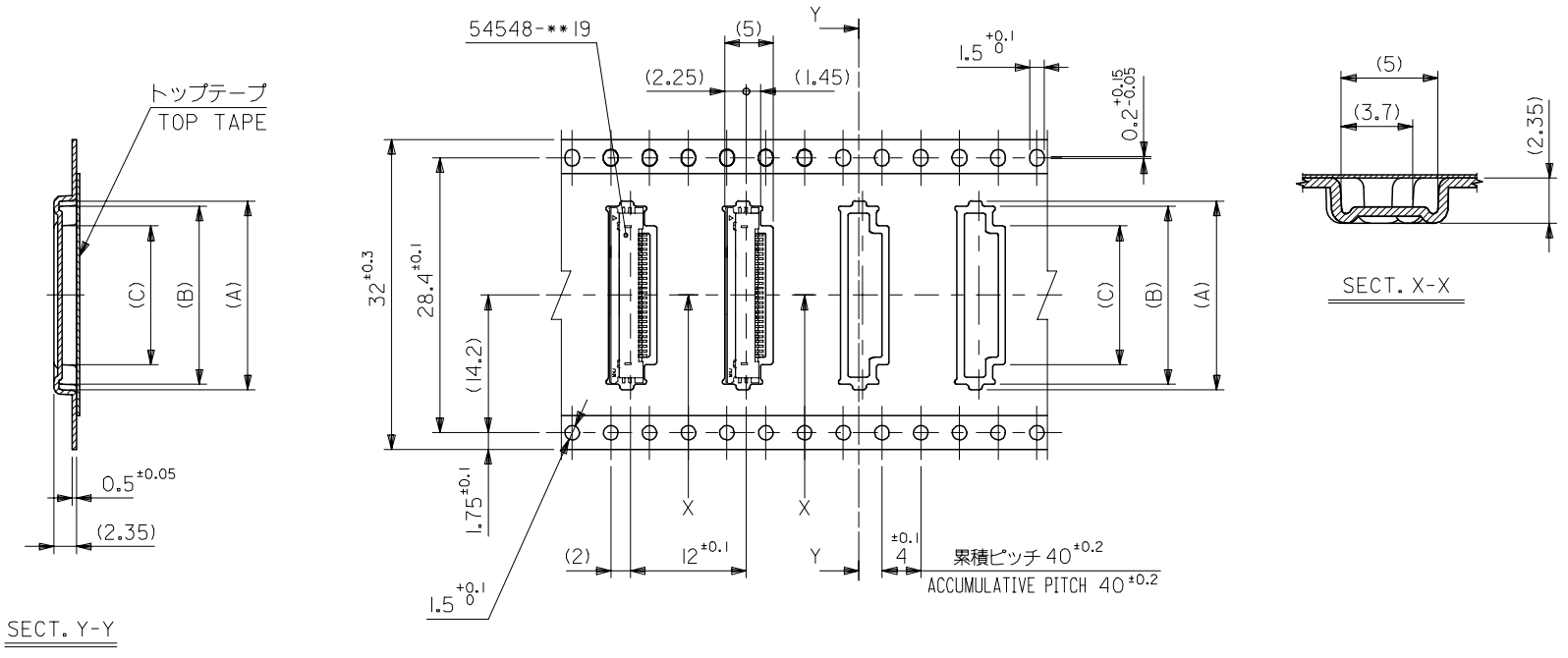
D

C

B

A

引き出し方向  
PULL OUT DIRECTION



SECT. Y-Y

SECT. X-X

32mm幅キャリアテープ  
32mm WIDTH CARRIER TAPE

|                                |      |      |      |      |      |                      |               |
|--------------------------------|------|------|------|------|------|----------------------|---------------|
| 32                             | 37.4 | 33.4 | 14.3 | 18.4 | 19.5 | 54548-2670           | 26            |
| キャリアテープ幅<br>CARRIER TAPE WIDTH | E    | D    | (C)  | (B)  | (A)  | 54548-2470           | 24            |
|                                |      |      |      |      |      | 製品番号<br>MATERIAL No. | 極数<br>CIRCUIT |

|   |                                       |  |                            |                     |   |                        |                        |
|---|---------------------------------------|--|----------------------------|---------------------|---|------------------------|------------------------|
| REVISED<br>EC NO: J2005-2516<br>DRAWN: NABEI<br>CHKD: KTOYODA<br>APPR: NUKITA | GENERAL TOLERANCES (UNLESS SPECIFIED) |  | DIMENSION STYLE<br>MM ONLY |                     | SCALE<br>2:1  | DESIGN UNITS<br>METRIC | THIRD ANGLE PROJECTION |
|   | 10 UNDER                              | ±0.2   | DRAWN BY<br>Y. WADA        | DATE<br>2004/01/09  | TITLE<br>EMBSTP PKG FOR 0.5 FPC<br>CONN ZIF HSG ASSY<br>-LEAD FREE- |                        |                        |
|   | 10 OVER 30 UNDER                      | ±0.25  | CHECKED BY<br>M. SASAO     | DATE<br>2004/01/09  |   |                        |                        |
|   | 30 OVER                               | ±0.3   | APPROVED BY<br>M. SASAO    | DATE<br>2004/01/09  | MOLEX INCORPORATED<br>DOCUMENT NO.<br>SD-54548-038                  |                        |                        |
| ANGULAR   | ±3 °                                  | MATERIAL NO.<br>SEE CHART  |                            | SHEET NO.<br>4 OF 4 |   |                        |                        |
| DRAFT WHERE APPLICABLE<br>MUST REMAIN<br>WITHIN DIMENSIONS                    |                                       | THIS DRAWING CONTAINS INFORMATION THAT IS PROPRIETARY TO MOLEX<br>INCORPORATED AND SHOULD NOT BE USED WITHOUT WRITTEN PERMISSION |                            |                     |   |                        |                        |