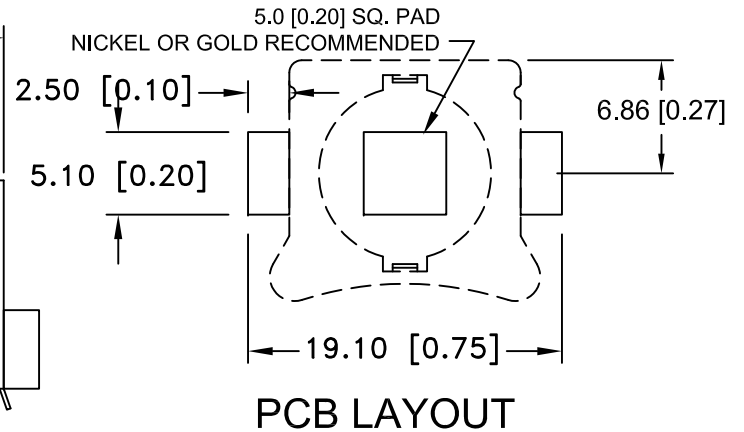
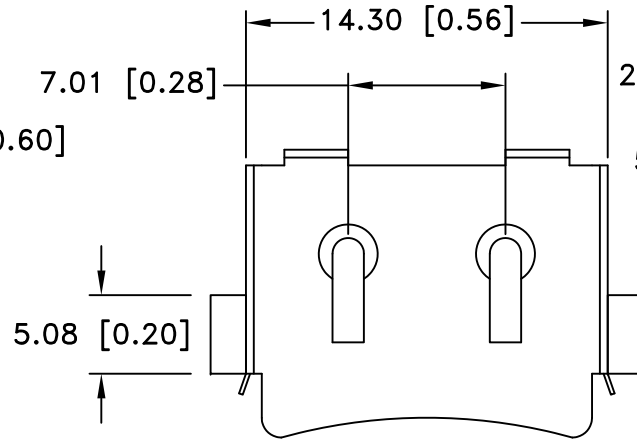
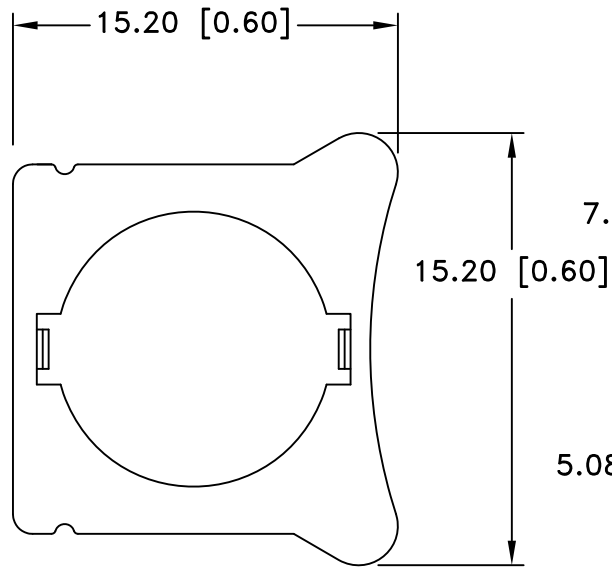
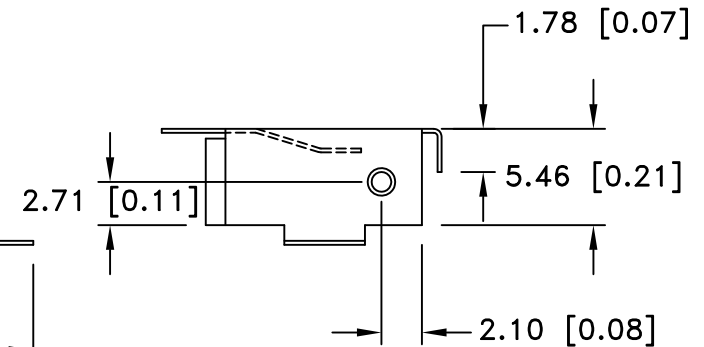
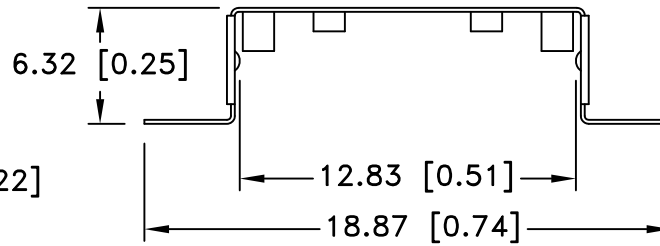
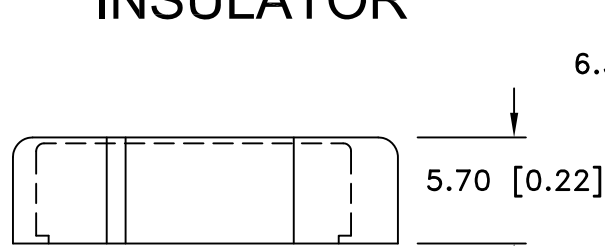


| Date     | SYM | REVISION RECORD                           | AUTH | DR.  | CK. |
|----------|-----|---|------|------|-----|
| 2/26/10  | A   | ADDED RAISED PAD TO PCB LAYOUT            | T.B. | B.S. |     |
| 12/10/10 | B   | UPDATED NOTE ON PCB LAYOUT FOR CENTER PAD | T.B. | B.S. |     |
| 04/20/12 | C   | ADDED INSULATOR OUTLINE IN PCB LAYOUT     | T.B. | B.S. |     |




## INSULATOR



### SPECIFICATIONS:

- \* Holder material- Polypropylene, AV161 PP, Off White
- \* UL Flamability Rating: UL 94-HB File No. E108370
- \* Contacts : Phosphor Bronze C5191, Nickel Plated 80-150u thickness
- \* Vibration test: 10-50-10 hz swept in 60 seconds  
x,y,z direction: 1 hour each direction
- \* Result: no dislodgement of the cell or damage  
no discontinuity over 10 micro-seconds
- \* Shock test: half sine wave acceleration 150g.  
6 micro-seconds 3 shock pulses each direction per axis,  
total of 18 pulses
- \* Result: no evidence of physical damage
- \* ROHS COMPLIANT

|                                |   |                                |                  |
|--------------------------------|---|--------------------------------|------------------|
| Tolerance<br>(Except as noted) |  <b>Memory Protection Devices, Inc</b><br>200 Broad Hollow Road, Farmingdale, New York 11735 | Scale                          | Drawn By B.S.    |
|                                |   |                                | Approved By T.B. |
| decimal<br>±.5 (.020)          | Title<br>LR44 BATTERY RETAINER WITH INSULATOR   | Date<br>04/20/12               |                  |
| Fractional<br>± .8 (.030)      |   | Drawing Number<br>BHX1-LR44-SM |                  |
| Angular<br>± 3°                |   |                                |                  |