

MICRO SWITCH
a Honeywell Division

FED. MFG. CODE 91 929

SWITCH - BASIC

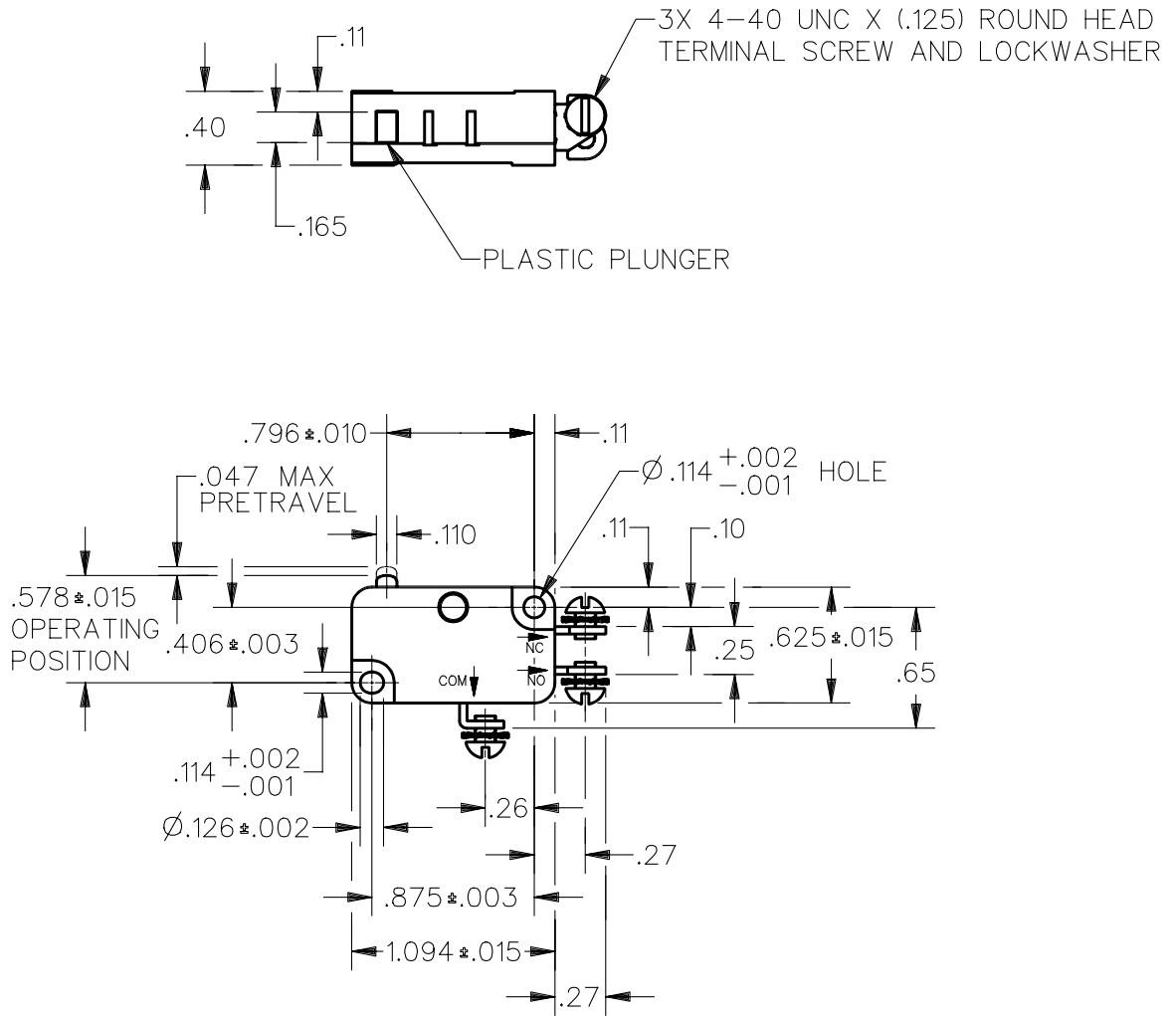
CATALOG LISTING

V3-245

CK-C4500

CATALOG LISTING
V3-245
PAGE 1 OF 1
RELEASE NO.
REPLACES
ISSUE
12

REVISIONS	
A	OBS C082209 CSL 18 OCT 96
B	RE-INST PR22527 DCS 7 JAN 97



NOTE
1 - SWITCH MATERIALS WILL WITHSTAND TEMPERATURE OF 400°F FOR 100 HOURS

ANSI Y14.5M-1982 APPLIES

THIS DRAWING COVERS A PROPRIETARY ITEM AND IS THE PROPERTY OF MICRO SWITCH, A DIVISION OF HONEYWELL. THIS DRAWING IS NOT TO BE COPIED OR USED WITHOUT THE APPROVAL OF MICRO SWITCH.



CHARACTERISTICS	ELECTRICAL DATA	SCALE FULL	DO NOT SCALE PRINT
OPERATING FORCE — — — — 10-25 OZ	CONTACT ARRANGEMENT S P D T	UNLESS OTHERWISE SPECIFIED TOLERANCES ARE	
RELEASE FORCE — — — — 6 OZ MIN	L118	ONE PLACE (.0) ±.030	
DIFFERENTIAL TRAVEL — — — .006-.016		TWO PLACE (.00) ±.015	
OVERTRAVEL — — — — .040 MIN	10A 1/8 HP 125 OR <u>250</u> VAC	THREE PLACE (.000) ±.005	
FREE POSITION — — — — .625 MAX		ANGLES ±	
RELEASE TRAVEL — — — — .007 MIN		WEIGHT .017 LB	



DDM/CAD

DRAWN

DCS 7 JAN 97 CHECK