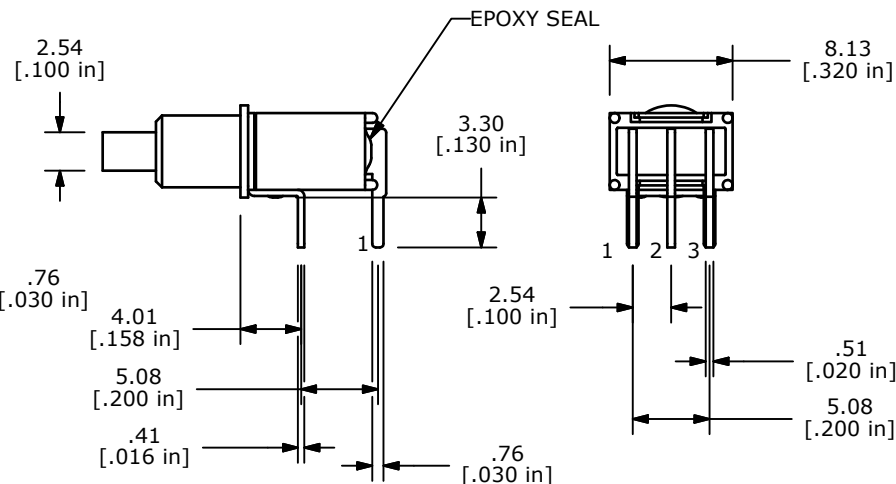
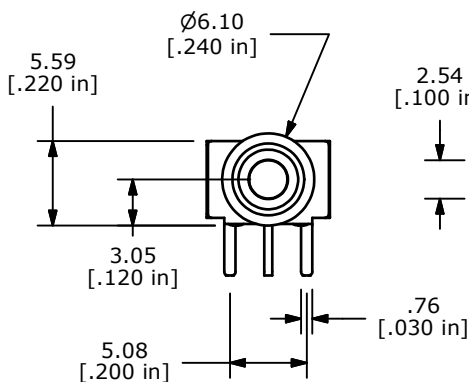
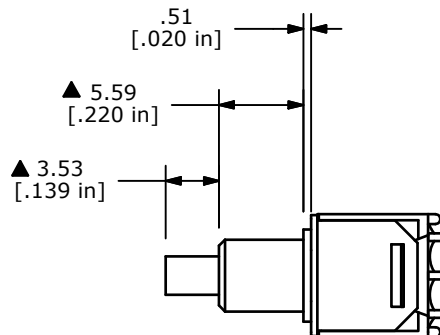


SWITCH FUNCTION	
POS. 1	POS. 2
ON	(ON)
2-1	2-3

(ON)=MOMENTARY



- NOTE:
- ALL DIMENSIONS IN MM [INCH]
  - GENERAL TOLERANCE: X.X=±0.4  
X.XX=±0.25
  - TERMINAL NUMBERS FOR REF ONLY
  - CONTACT MATERIAL: SILVER
  - RATING: 1A @ 250 VAC  
3A @ 120 VAC OR 28 VDC
  - MECHANICAL LIFE: 50,000 MAKE-AND-BREAK CYCLES
  - CONTACT RESISTANCE: 20 mΩ MAX. INITIAL @ 2-4VDC  
100mA FOR BOTH GOLD AND SILVER CONTACTS
  - INSULATION RESISTANCE: 1,000 MEGA-OHM MIN.
  - DIELECTRIC STRENGTH: 1,000 V RMS @SEA LEVEL.
  - OPERATING TEMP.: -30°C to 85°C
  - ▲ DENOTES CRITICAL PARAMETER.
  - 2002/95/EC (ROHS) COMPLIANT



C	20030	UPDATE DRAWING	06/27/11	BMA
B	17871	Revised dimensions to match catalog	11/20/07	rc
REV	PCR NO	DESCRIPTION	DATE	BY

TITLE 800SP8B7M6QE				
SCALE 2=1	DATE 8/1/2006	DR BO	DWG T822016	REV C

THE INFORMATION CONTAINED IN THIS DOCUMENT IS PROPRIETARY TO E-SWITCH AND IS NOT TO BE COPIED OR TRANSFERRED