

NOTES:

1. MATERIALS AND FINISHES:

BODY	- BRASS	- GOLD PLATED (.000010" MIN.)
CONTACT	- BRASS	- GOLD PLATED (.000030" MIN.)
BULLET BODY	- BERYLLIUM COPPER (MACHINED)	- GOLD PLATED (.000030" MIN.)
BULLET CONTACT	- BERYLLIUM COPPER (STAMPED)	- GOLD PLATED (.000030" MIN.)
INSULATORS	- PTFE	

2. ELECTRICAL:

A. IMPEDANCE	=	75 OHM, NOMINAL
B. FREQUENCY RANGE	=	DC TO 1.0 GHz
C. RETURN LOSS	=	-25 dB MAXIMUM
D. INSERTION LOSS	=	0.05 dB MAXIMUM
E. ISOLATION	=	-70 dB MAXIMUM

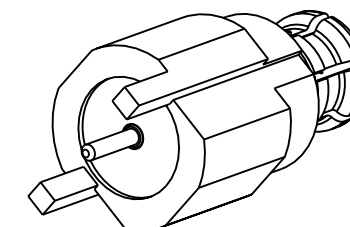
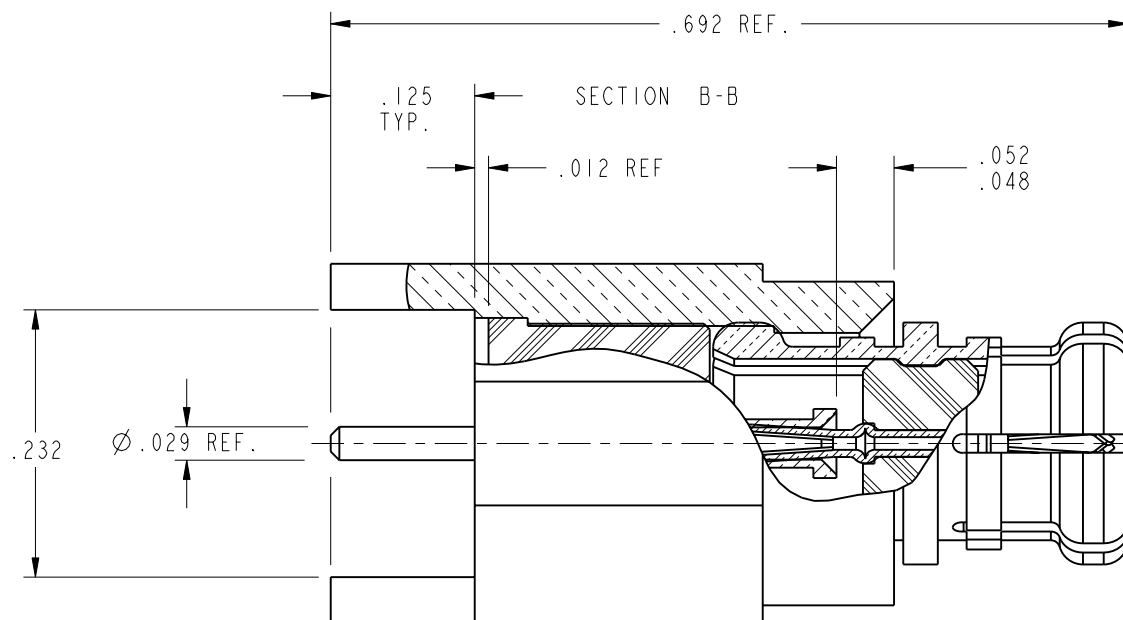
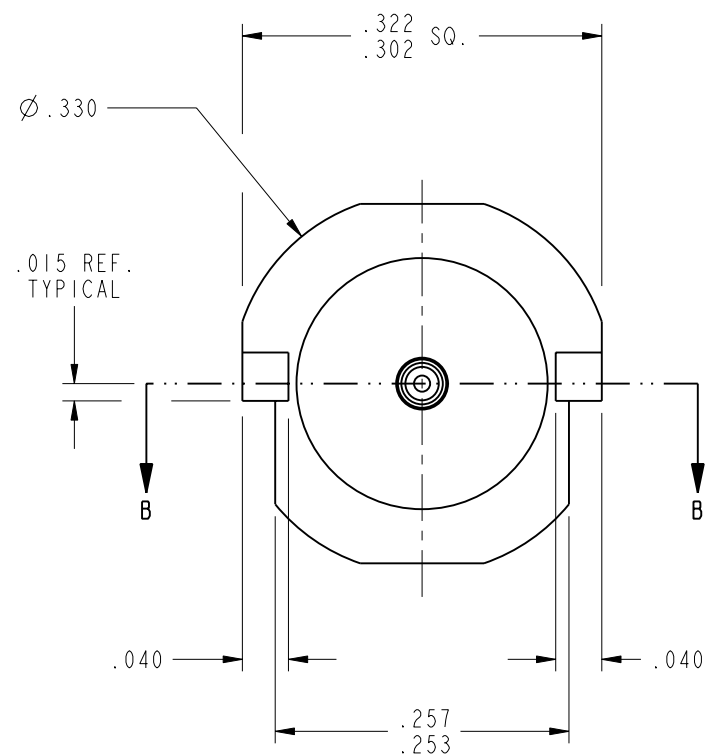
3. MECHANICAL:

A. DURABILITY	=	100 CYCLES MIN.
B. TEMPERATURE RANGE	=	-65° C TO +165° C
C. ENGAGEMENT FORCE	=	5.0 LBS MAX. (PER BULLET)
DISENGAGEMENT FORCE	=	0.5 LBS. MIN. (PER BULLET)
D. DESIGNED FOR USE WITH	=	.093±.005 THICK FR-4 PCB MATERIAL

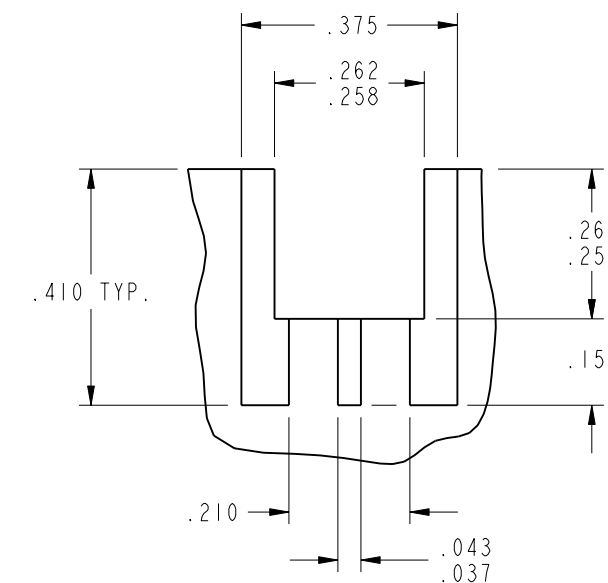
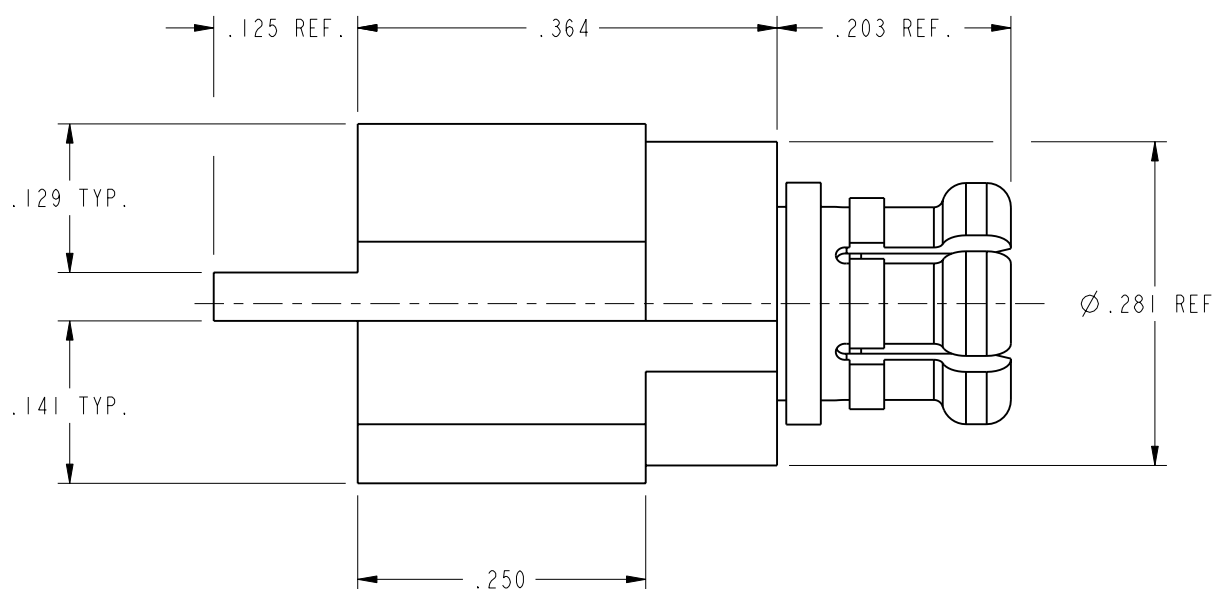
4. PACKAGING:

A. QUANTITY: SINGLE PACK
B. BAG TO BE MARKED: "AMPHENOL, 920-123P-71P, AND DATE CODE"

920-123P-71P		REVISIONS			
DRAWING NO.	REV	DESCRIPTION	DATE	ECO	APPR
THIRD ANGLE PROJ.	A	RELEASE TO MFG.	10/8/02	44226	BCG
	B	A) BULLET BODY WAS: BERYLLIUM COPPER (STAMPED)	5/9/03	44467	BCG



SCALE 3.000



PCB MOUNTING CUT-OUT AND PAD LAYOUT

SCALE 3.000

**CUSTOMER OUTLINE DRAWING**

ALL OTHER SHEETS ARE FOR INTERNAL USE ONLY

UNLESS OTHERWISE SPECIFIED, DIMENSIONS ARE IN INCHES AND TOLERANCES ARE:  
 2 PLACE DECIMAL ±.015 (0,381 mm)  
 3 PLACE DECIMAL ±.005 (0,127 mm)  
 ANGLES ± 1°

NOTICE - These drawings, specifications, or other data (1) are, and remain the property of Amphenol Corp. (2) must be returned upon request; and (3) are confidential and not to be disclosed to any person other than those to whom they are given by Amphenol Corp. The furnishing of these drawings, specifications, or other data by Amphenol Corp., or to any other person to anyone for any purpose is not to be regarded by implication or otherwise in any manner licensing, granting rights or permitting such holder or any other person to manufacture, use or sell any product, process or design, patented or otherwise, that may in any way be related to or disclosed by said drawings, specifications, or other data.

MATERIAL	DRAWN	DATE	TITLE
	B.C. GLEISSNER	30-Aug-02	EDGE MOUNT W/ BULLET
	ENGINEER	DATE	
	B.C. GLEISSNER	10-May-02	
REFERENCE	APPROVED	DATE	
SIMILAR TO: 920-113P-71P	O. BARTHELME	10/8/02	
CON-0275-01	CAD FILE		
GEN# 615X-1669	I:\AFI\920-123P-71P		
GEN# ASSYMI_AFI			

CODE ID	DWG SIZE	DRAWING NO.	REV
74868	B	920-123P-71P	B

Amphenol		Amphenol Corporation	
Communication and Network		Products Division	
Danbury, CT U.S.A. 06810		SCALE: 6.0:1	SHEET 2 OF 2