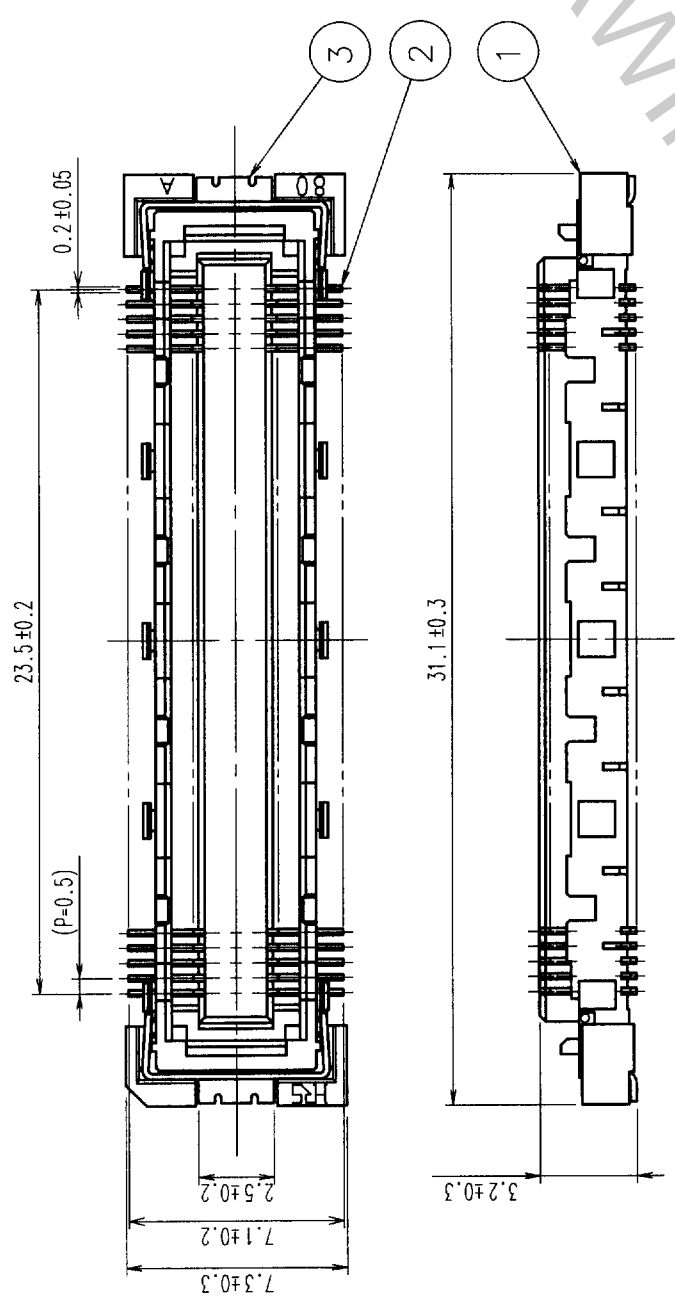
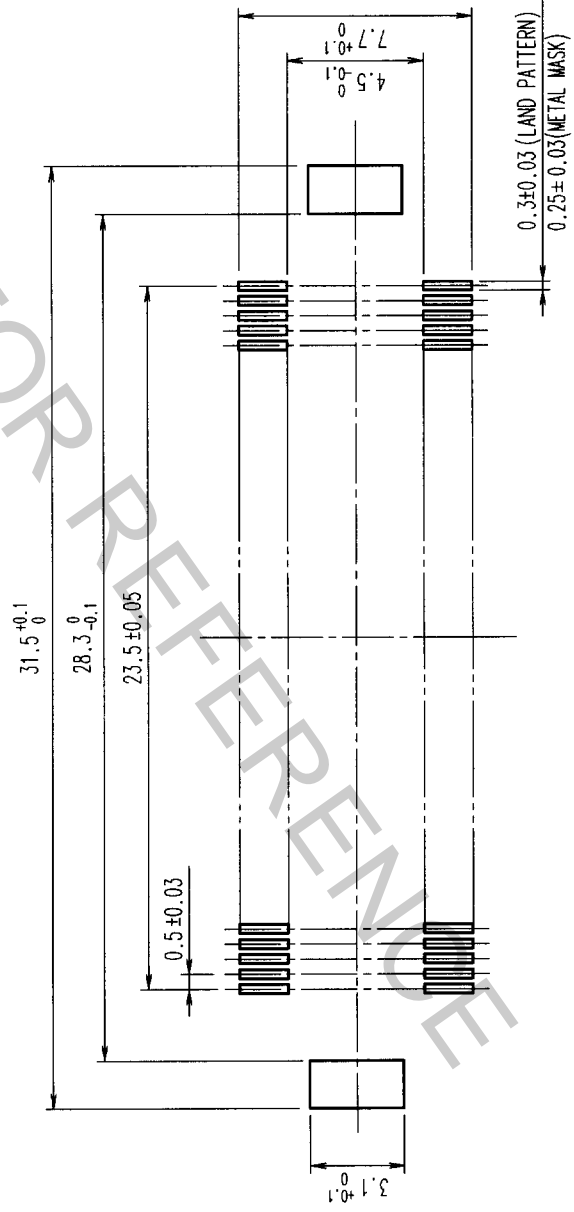


COUNT	DESCRIPTION OF REVISIONS	BY	CHKD	DATE	COUNT	DESCRIPTION OF REVISIONS	BY	CHKD	DATE
△					△				
△					△				
△					△				



RECOMMENDED LAND PATTERN DIMENSION OF PCB



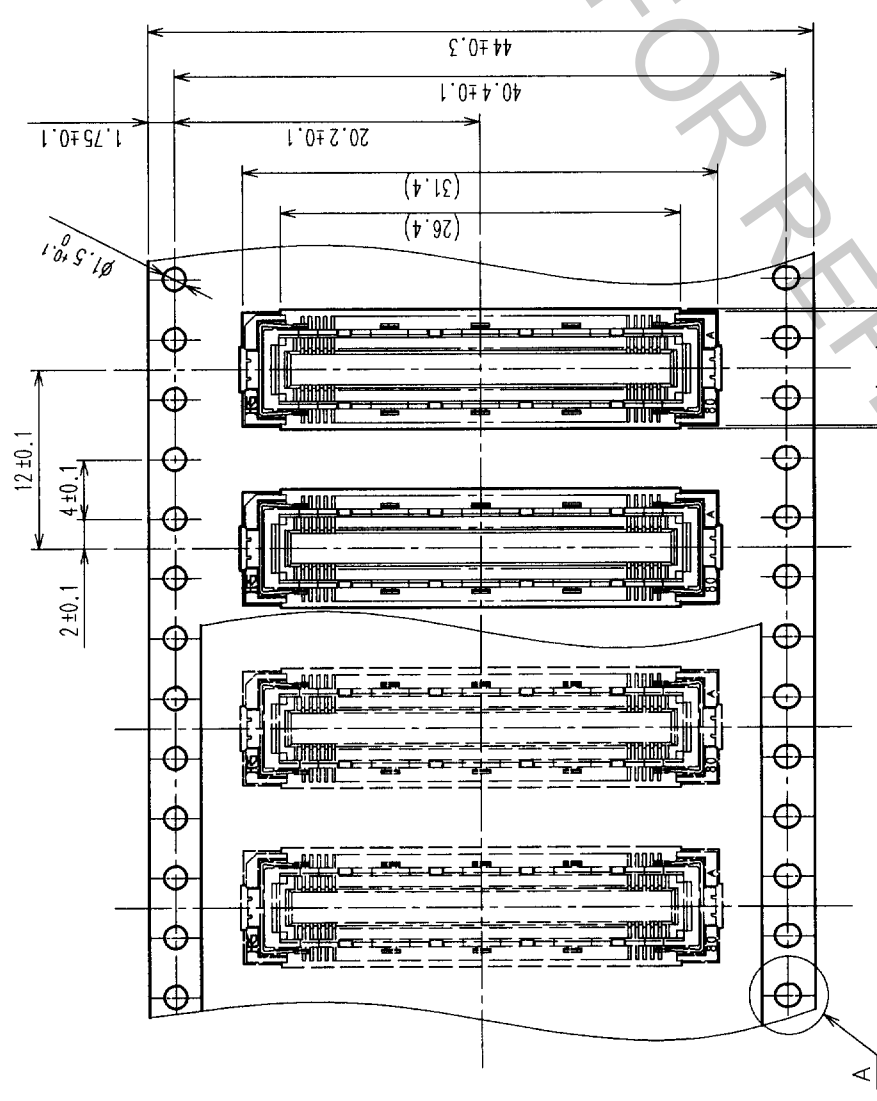
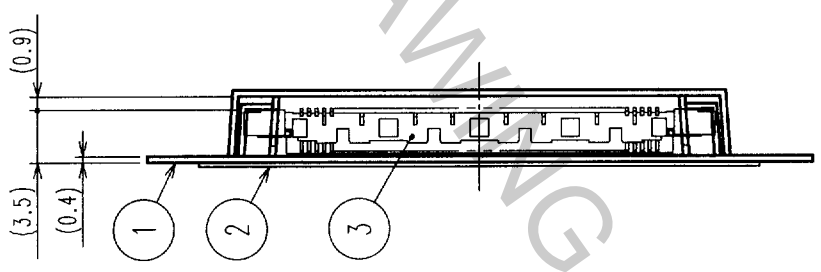
- NOTES
- 1 SMT LEAD-COPLANARITY: 0.1 MAX.
  - 2 THIS PRODUCT HAS NO POLARITY TO PATTERN FOR MOUNTING.
  - 3 EMBOSS CARRIER TAPE PACKAGE IS APPLIED ON THIS PRODUCT. PLEASE REFER TO THE SHEET 2/2 FOR THE DETAILS.

NO.	PHOSPHOR BRONZE	CONTACT AREA: GOLD (0.1mm) OVER NICKEL	LEAD: GOLD FLASH OVER NICKEL
2	PHOSPHOR BRONZE	CONTACT AREA: GOLD (0.1mm) OVER NICKEL	LEAD: GOLD FLASH OVER NICKEL
1	LCP	BEIGE	UL94V-0
NO.	MATERIAL	FINISH, REMARKS	FINISH, REMARKS
3	PHOSPHOR BRONZE	TIN PLATED	
CODE NO. (OLD)	CL	FINISH, REMARKS	FINISH, REMARKS
SCALE	4 : 1	DRAWING NO.	EDC3-151988-01
UNITS	mm	PART NO.	FX10B-96S-SV (21)
		CODE NO.	CL570-0251-2-21

TO	
PCK	

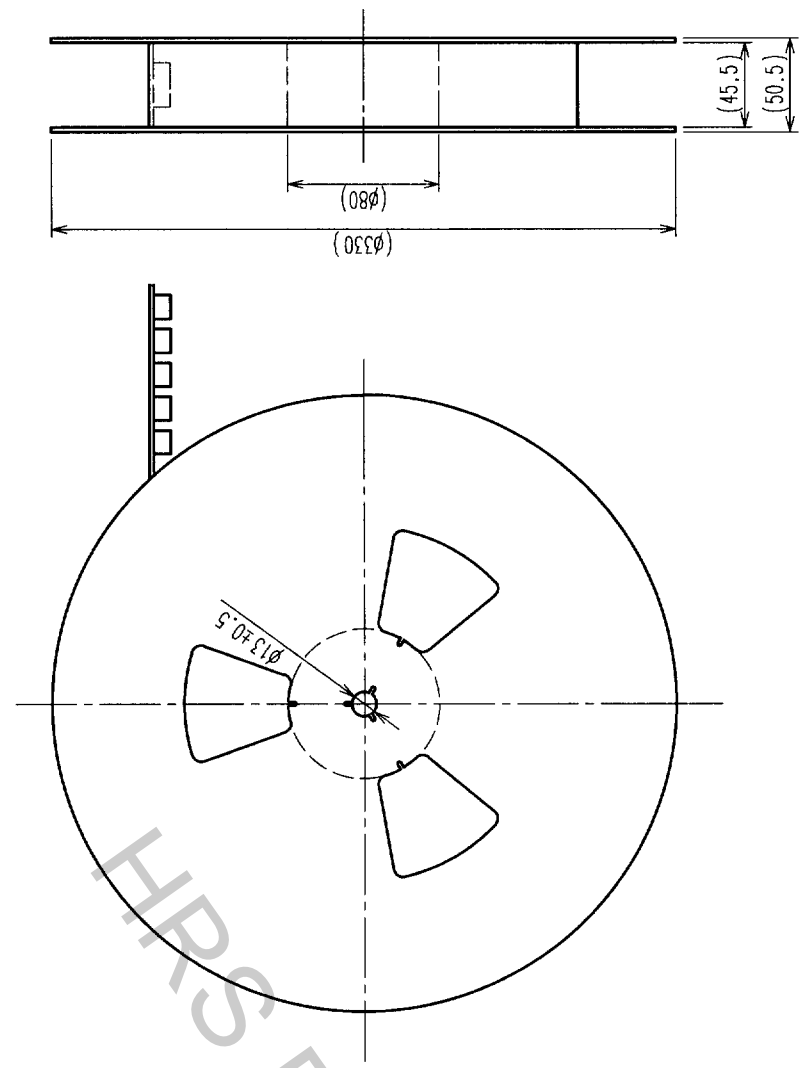
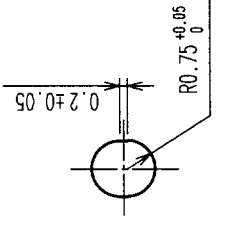
COUNT	DESCRIPTION OF REVISIONS	BY	CHKD	DATE	COUNT	DESCRIPTION OF REVISIONS	BY	CHKD	DATE
1					1				
2					2				
3					3				
4					4				

REELED DIMENSION (Free)



THE DIRECTION OF PULLING OUT

A (5:1)



- NOTES
- 1 REEL: 1000 CONNECTORS.
  - 2 MINIMUM 10 COMPARTMENTS FROM BOTH REEL ENDS REMAIN EMPTY.
  - 3 THIS PRODUCT HAS NO POLARITY TO TAPE AND REEL PACKAGING.

2		TOP COVER TAPE		3		(CONNECTOR)	
NO.	PET	MATERIAL	EMBOSSED CARRIER TAPE	FINISH, REMARKS	NO.	MATERIAL	FINISH, REMARKS
1	PS				3		
CODE NO. (OLD)		DRAWN		DESIGNED		CHECKED	
CL		J. Nakada		J. Nakada		M. Sakata	
DRAWING FOR PACKING		00.01.07		00.01.07		00.01.11	
DRAWING NO.		PART NO.		APPROVED		RELEASED	
EDC3-151988-01		FX10B-96S-SV(21)		Y. Yamamura			
SCALE		UNITS		CODE NO.		2	
2 : 1		mm		CL570-0251-2-21			

TO	
PCK	