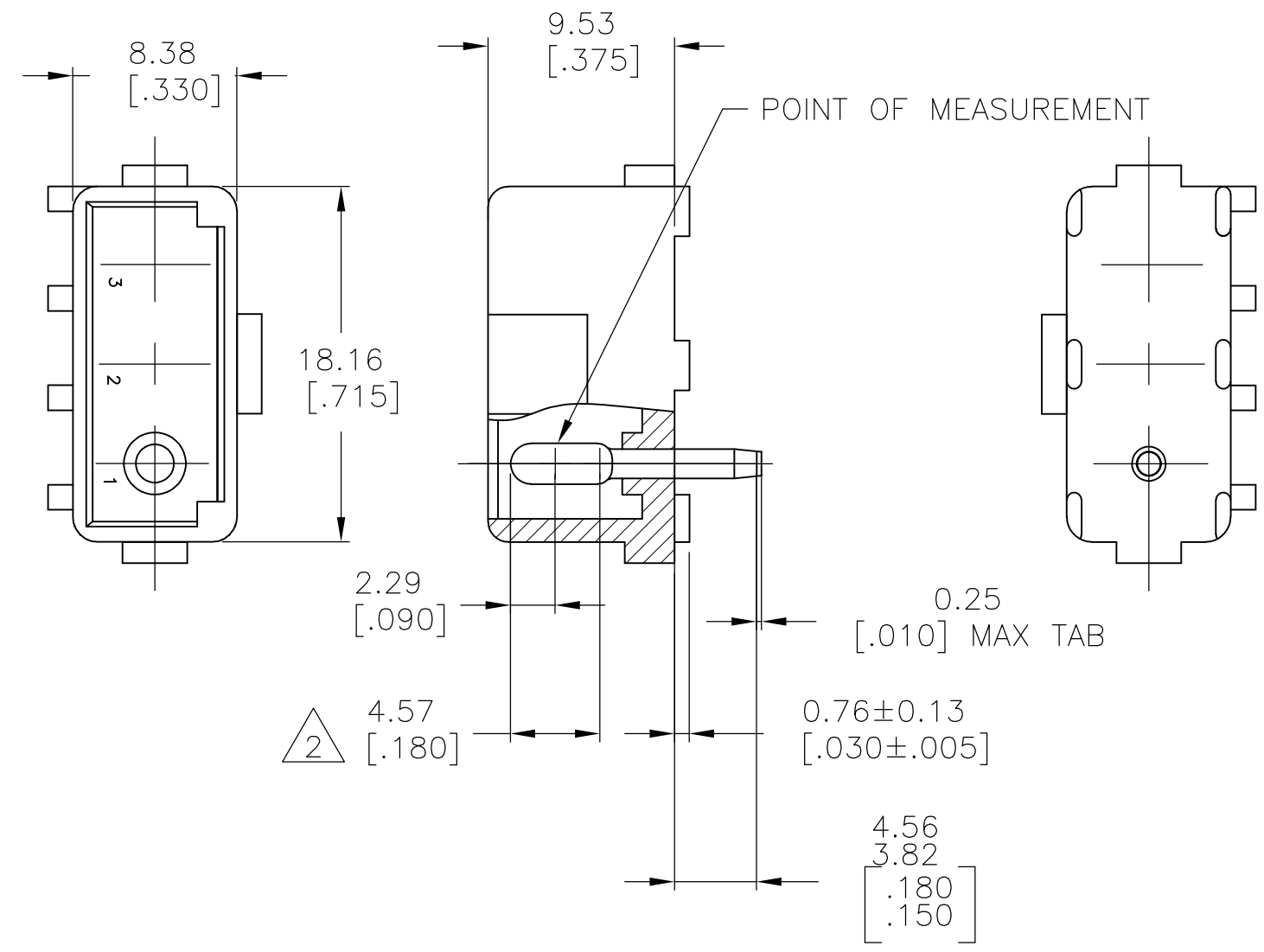
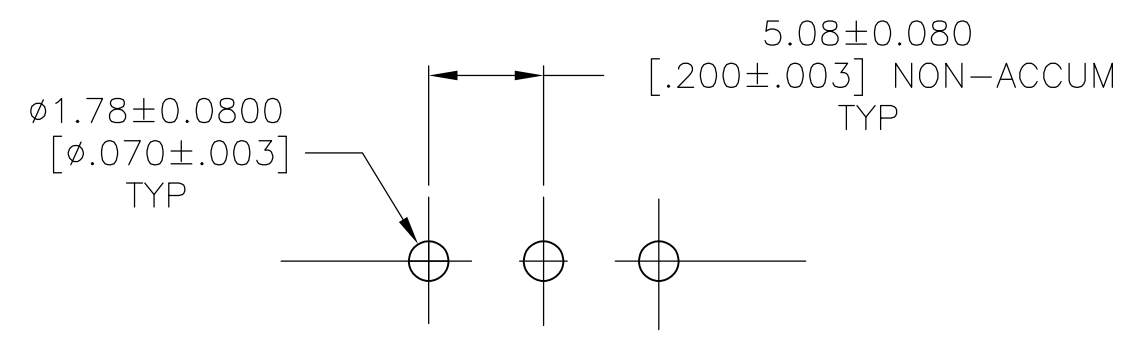


THIS DRAWING IS UNPUBLISHED. RELEASED FOR PUBLICATION
 © COPYRIGHT BY TYCO ELECTRONICS CORPORATION. ALL RIGHTS RESERVED.

| LOC | DIST | REVISIONS | | | |
|-----|------|-------------|---------------------------|---------|--------|
| P | LTR | DESCRIPTION | DATE | DWN | APVD |
| CM | 0 | A | REVISED PER ECO-08-013365 | 29MAY08 | HMR CC |



- 1 PARTS MUST COMPLY WITH SOLDERABILITY SPEC. 109-11-3.
- 2 CONTACT IS PLATED OVERALL WITH .000050 NICKEL, THEN .000030 GOLD OVER CONTACT LENGTH INDICATED AND MATTE TIN ON SOLDER TAIL END.



RECOMMENDED LAYOUT FOR
 1.575[.062] THICK P.C. BOARD

| | | | |
|-------------------------|--------------|------------------|-------------------|
| SUPERSEDED BY 1586532-2 | 5-1586532-2 | NYLON-GREEN | COPPER ALLOY-GOLD |
| | 1586532-2 | NYLON-NATURAL | COPPER ALLOY-GOLD |
| | ASSEMBLY NO. | HSG, MATL& COLOR | PIN MATL & FINISH |

| | | | | | |
|---|--|--------------------|---------|---|--|
| THIS DRAWING IS A CONTROLLED DOCUMENT. | | DWN ARJUN | 100CT05 | Tyco Electronics Corporation Harrisburg, PA 17105-3608 | |
| DIMENSIONS: mm [INCHES] | | CHK - | APVD - | NAME | |
| | | PRODUCT SPEC - | | 3 CIRCUIT COMMERCIAL MATE-N-LOK(TM) HEADER | |
| TOLERANCES UNLESS OTHERWISE SPECIFIED: | | APPLICATION SPEC - | | RESTRICTED TO | |
| 0 PLC ± - 1 PLC ± - 2 PLC ± - 3 PLC ± - 4 PLC ± - ANGLES ± - | | WEIGHT - | | SIZE A3 CAGE CODE 00779 DRAWING NO. C-1586532 | |
| MATERIAL SEE TABLE | | FINISH SEE TABLE | | SCALE 3:1 SHEET 1 OF 1 REV A | |
| METRIC | | CUSTOMER DRAWING | | | |