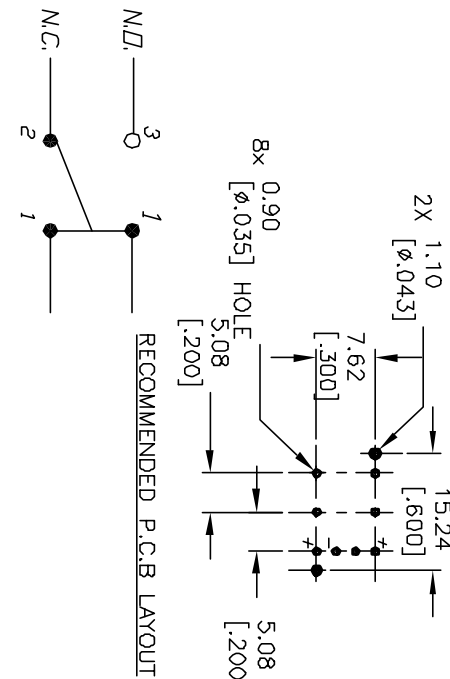
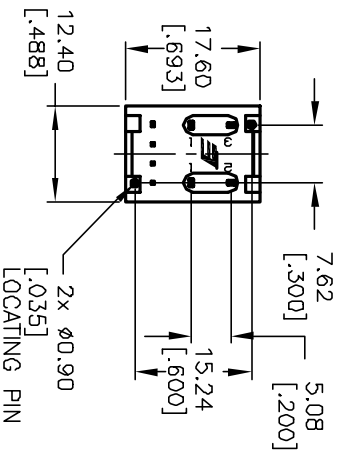


PARAMETERS		SYMBOL	MAX	MIN.	TYP.	UNITS
POWER DISSIPATION		$P_D$	80	--		mW
AVE FORWARD CURRENT		$I_{AF}$	30	--		mA
PEAK FORWARD CURRENT		$I_{PF}$	80	--		mA
FORWARD VOLTAGE		$V_F$	2.8	1.8	2.2	V
REVERSE VOLTAGE		$V_R$	5	--		V
REVERSE CURRENT		$I_R$	100	--		$\mu A$
EMISSION WAVELENGTH		$\lambda_p$			695	nm
LUMINOUS INTENSITY		$I_f$		0.7	2.2	mcd

GREEN LED		SYMBOL	MAX	MIN.	TYP.	UNITS
POWER DISSIPATION		$P_D$	100	--		mW
AVE FORWARD CURRENT		$I_{AF}$	30	--		mA
PEAK FORWARD CURRENT		$I_{PF}$	120	--		mA
FORWARD VOLTAGE		$V_F$	2.8	1.9	2.2	V
REVERSE VOLTAGE		$V_R$	5	--		V
REVERSE CURRENT		$I_R$	100	--		$\mu A$
EMISSION WAVELENGTH		$\lambda_p$			570	nm
LUMINOUS INTENSITY		$I_f$		6.0	15.0	mcd



- NOTES:
1. ALL DIMENSIONS IN MM [INCH]
  2. GENERAL TOLERANCE: X.X=±0.4  
X.XX=±0.25
  3. TERM. NOS. FOR REFERENCE ONLY
  4. RATINGS: 12mA @24V
  5. CONTACT FIXED AND MOVING:  
COPPER ALLOY W/ GOLD PLATE
  6. CONTINUOUS CURRENT RATING: 120mA
  7. POWER RATING: 240mW
  8. OPERATING FORCE: <200gf
  9. OPERATING TRAVEL: 2.5±0.2mm

**E-SWITCH®**

CIRCUIT: SPDT  
CONTACT CONFIGURATION

REV.	ECN No.	DESCRIPTION	DATE	CHKD	SCALE	DATE	DR	DWG	REV
A	11318	RELEASED FOR PRODUCTION	10/16/01	CJC	1:1	10/16/01	CJC	XR0224P	A

THE INFORMATION CONTAINED IN THIS DOCUMENT IS PROPRIETARY TO E-SWITCH AND IS NOT TO BE COPIED OR TRANSFERRED