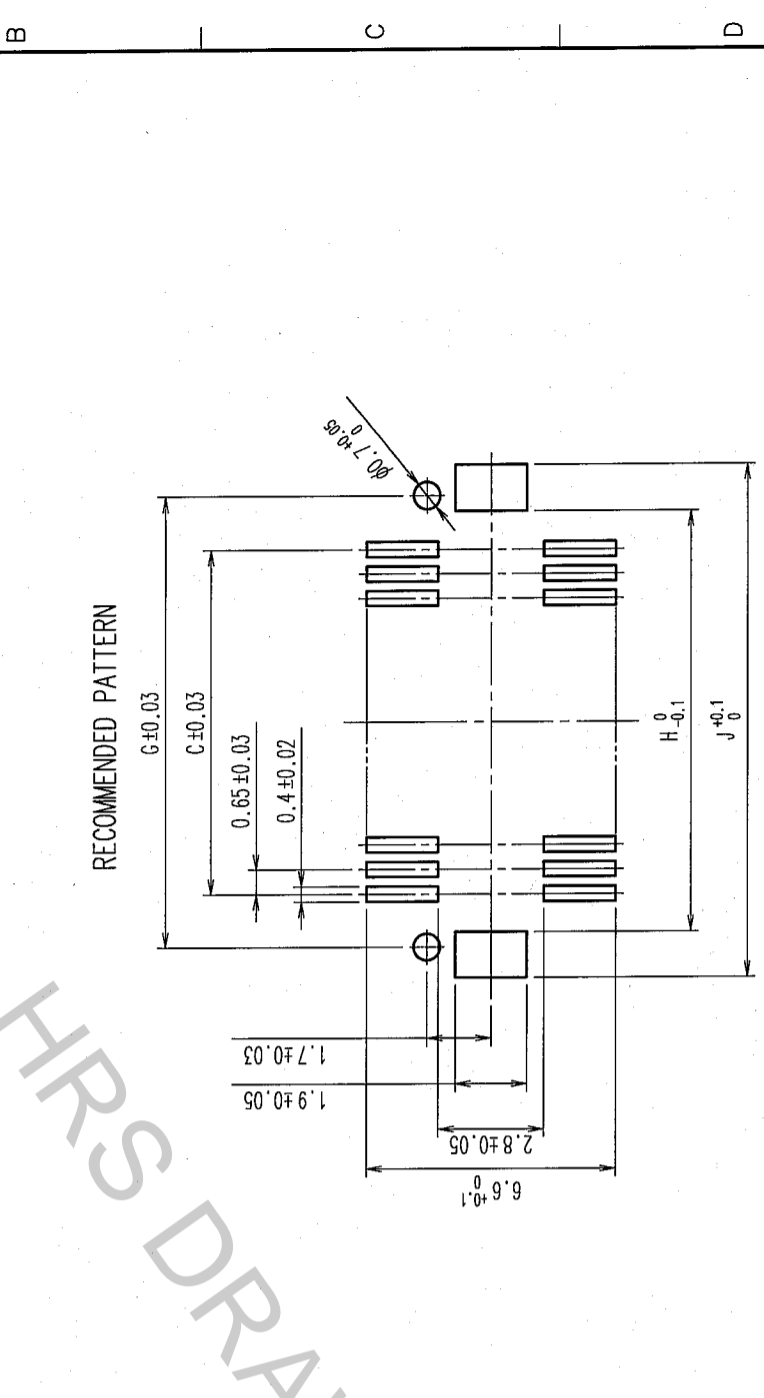
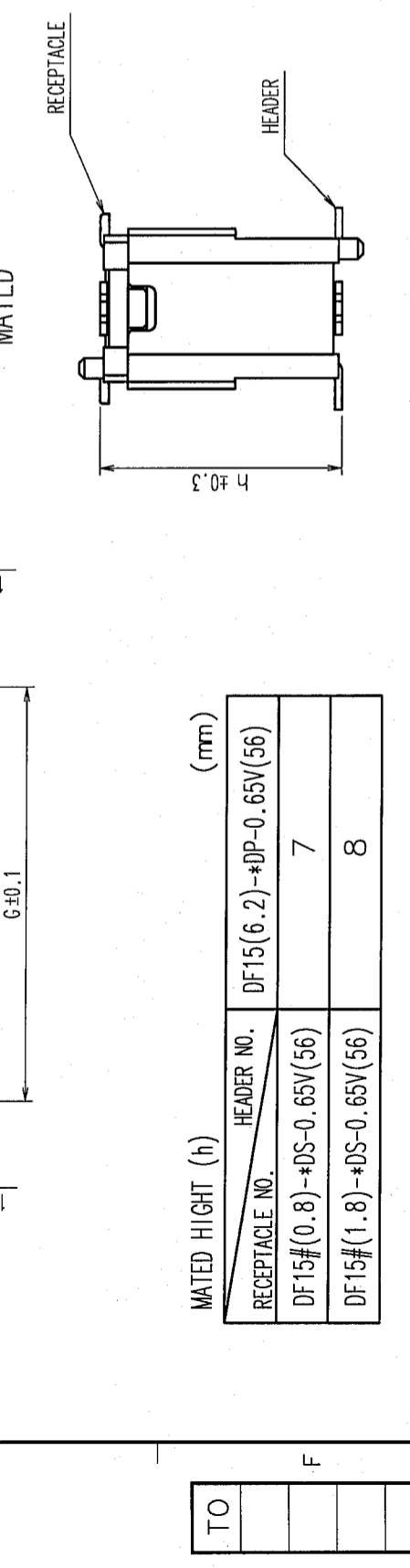
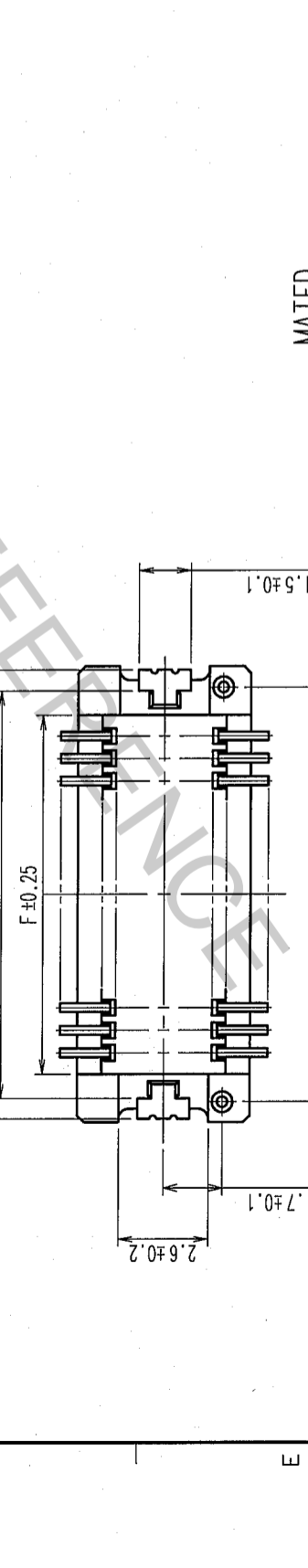
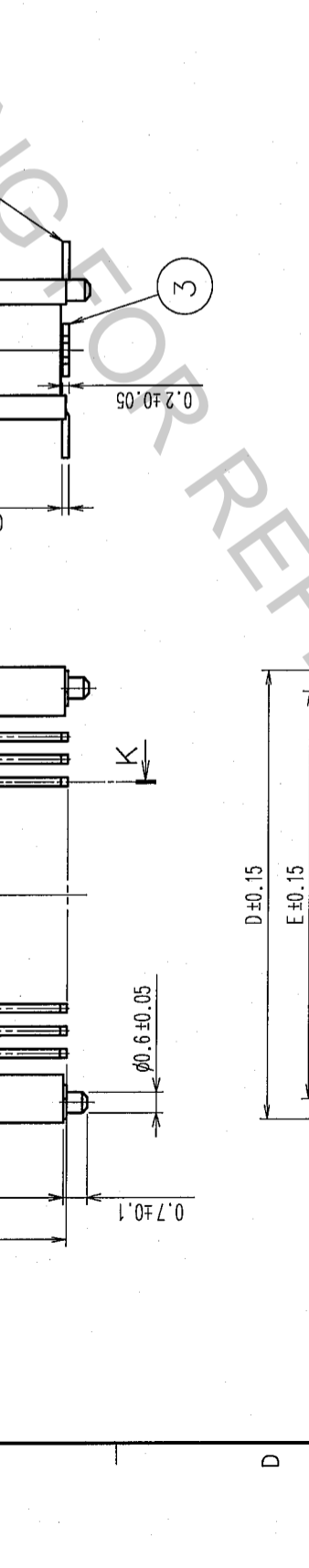
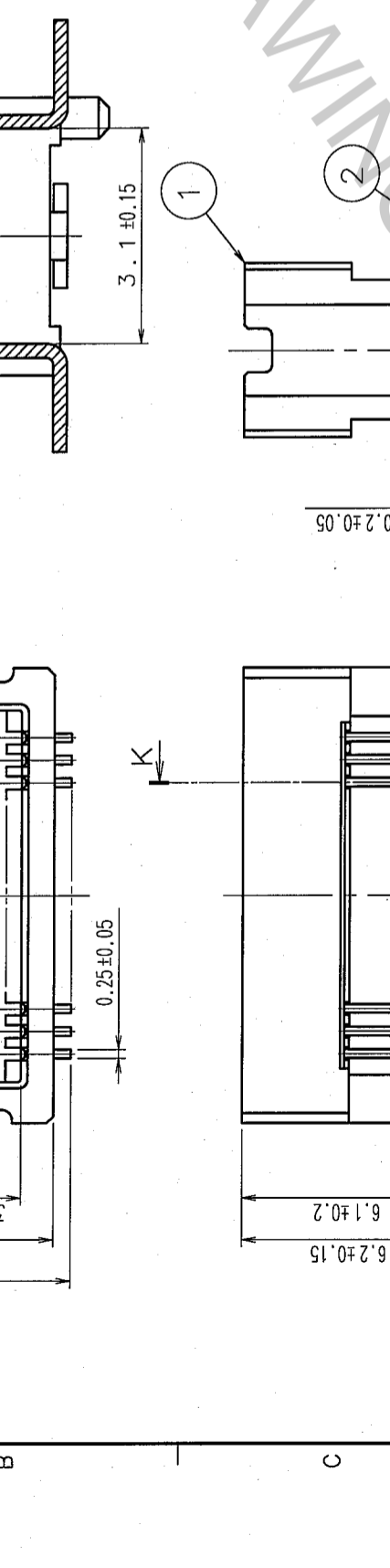
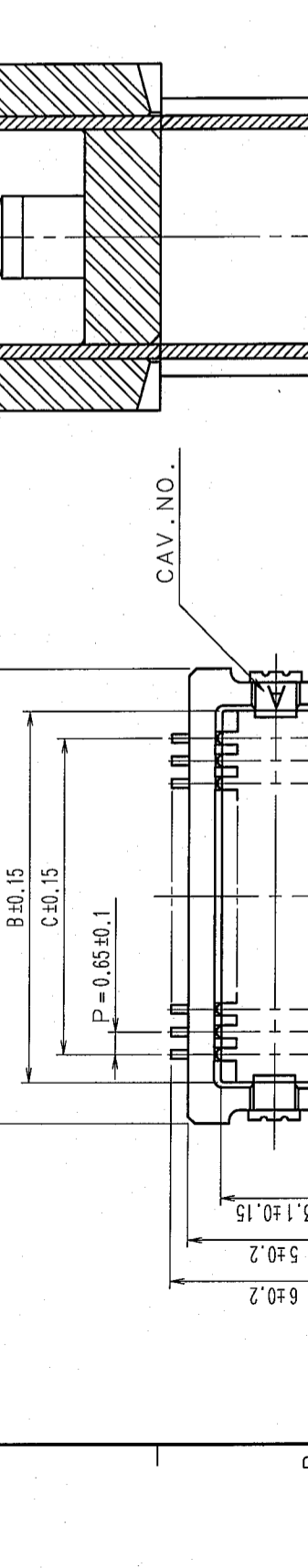
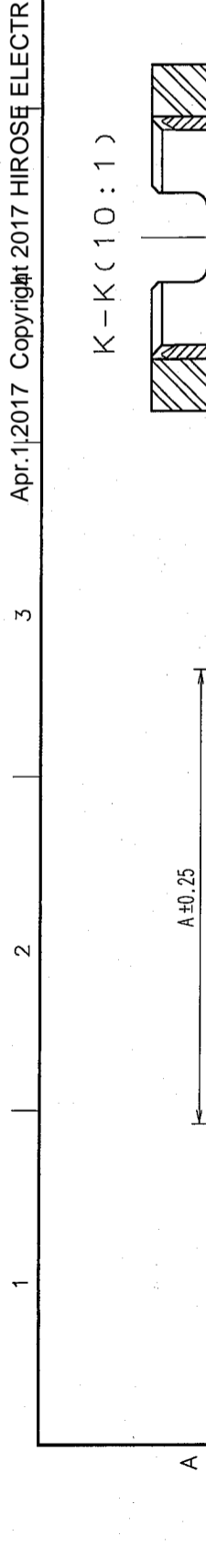


COUNT	DESCRIPTION OF REVISIONS	BY	CHKD	DATE	COUNT	DESCRIPTION OF REVISIONS	BY	CHKD	DATE
△					△				
△					△				
△					△				

PART NO.	CODE NO.	CONTACT	A	B	C	D	E	F	G	H	J
DF15(6.2)-20DP-0.65V(56)	CL677-0162-7-56	20	9.85	7.45	5.85	9.65	8.45	7.05	8.65	7.85	10.25
DF15(6.2)-30DP-0.65V(56)	CL677-0163-0-56	30	13.1	10.7	9.1	12.9	11.7	10.3	11.9	11.1	13.5
DF15(6.2)-40DP-0.65V(56)	CL677-0164-2-56	40	16.35	13.95	12.35	16.15	14.95	13.55	15.15	14.35	16.75
DF15(6.2)-50DP-0.65V(56)	CL677-0165-5-56	50	19.6	17.2	15.6	19.4	18.2	16.8	18.4	17.6	20.0



NOTES 1. LEAD CO-PLANARITY INCLUDE REINFORCED METAL FITTINGS SHALL BE 0.1 mm MAX.



TO

MATED HIGHT (h)	HEADER NO.	DF15(6.2)-*DP-0.65V(56)
DF15#(0.8)-*DS-0.65V(56)	7	
DF15#(1.8)-*DS-0.65V(56)	8	

NO.	MATERIAL	FINISH, REMARKS	NO.	MATERIAL	FINISH, REMARKS
1	PHOSPHOR BRONZE	CONTACT AREA: GOLD PLATED 0.1µm min LEAD AREA: TIN PLATED 1µm min UNDER PLATING: NICKEL PLATED 1µm min	6	PS	BLACK (PLASTIC REEL) CLEAR (COVER TAPE)
2	POLYAMIDE (PA6T)	NATURAL (BEIGE), UL94V-0	4	PS	CLEAR (EMBOSSED CARRIER TAPE)
			3	BRASS	TIN PLATED 1µm min UNDER PLATING: NICKEL PLATED 1µm min

CODE NO. (OLD)	DESIGNED	CHECKED	APPROVED	RELEASED
	<i>A. Takahashi</i>	<i>A. Takahashi</i>	<i>A. Takahashi</i>	
	<i>05.11.21</i>	<i>05.11.21</i>	<i>05.11.21</i>	

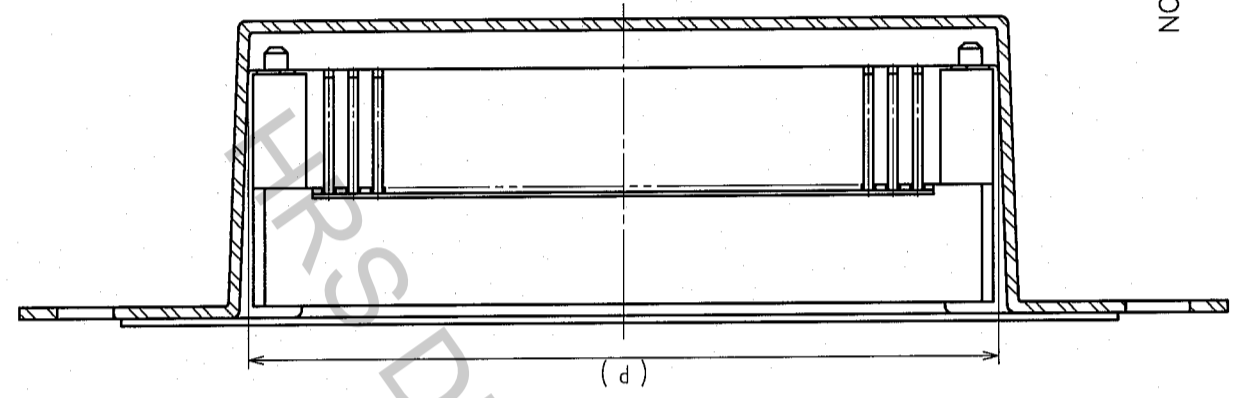
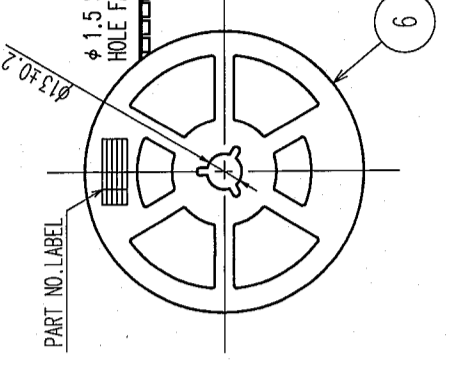
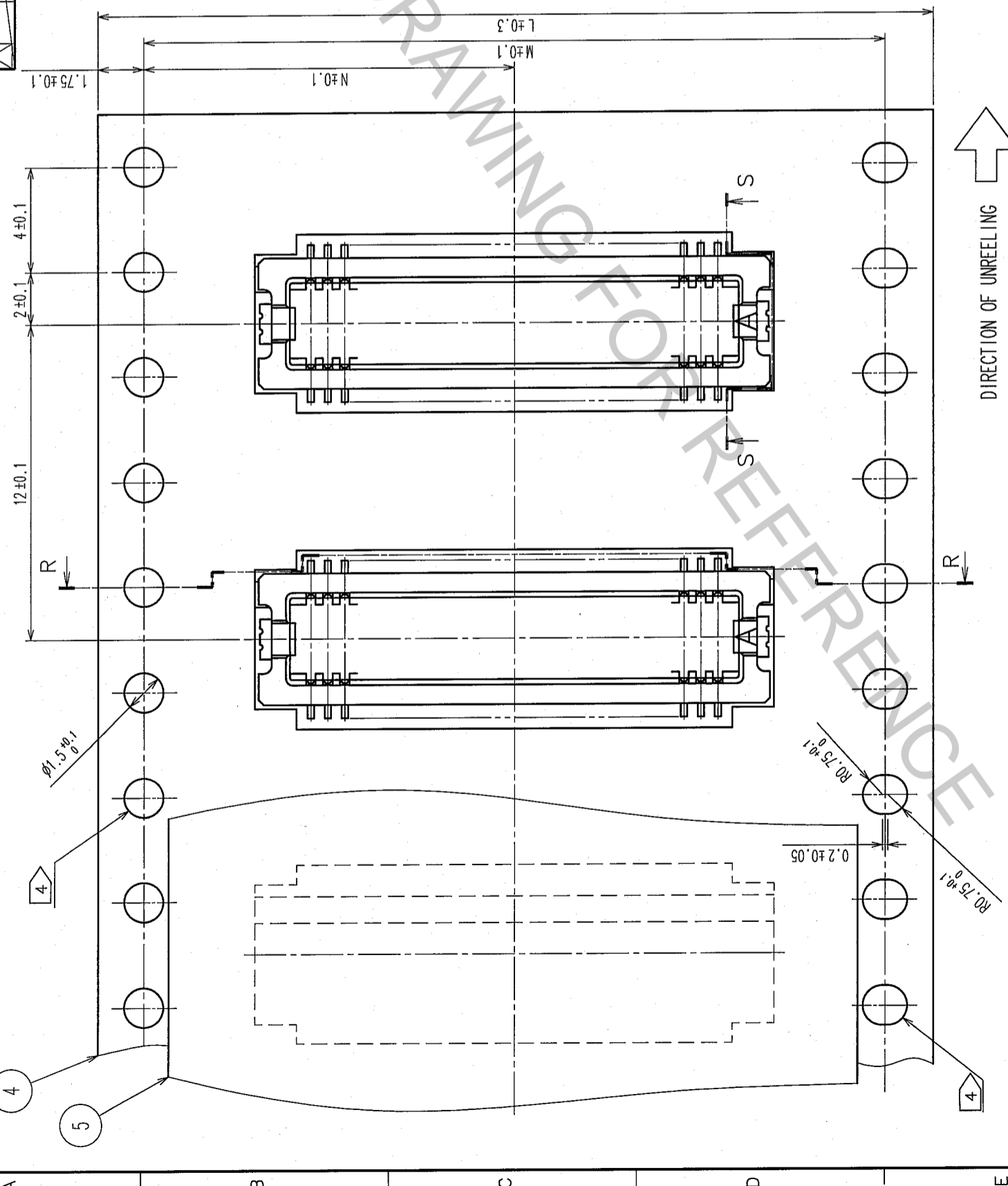
DRAWING NO.	PART NO.
EDC3-302781-01	DF15(6.2)-*DP-0.65V(56)

SCALE	UNITS	CODE NO.
5 : 1	mm	CL677

COUNT	DESCRIPTION OF REVISIONS	BY	CHKD	DATE	COUNT	DESCRIPTION OF REVISIONS	BY	CHKD	DATE

STYLE AND DIMENSION OF REEL (FREE)

R-R



DETAIL OF PART NO. LABEL

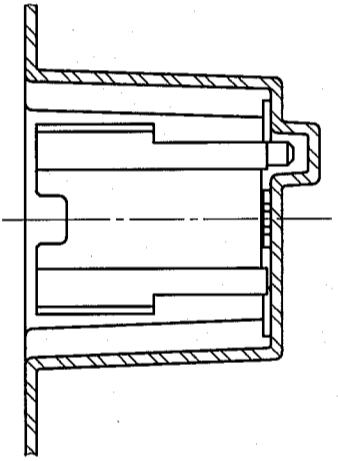
SUPPLIER
QUANTITY
PART NO.
CODE NO.
DATE OF MANUFACTURED

生産月日	年	月	日
図番	CL677	-	*****-56
品名	DF15(6.2)-*DP-0.65V(56)		
納入数量	1000	Ko	
納入者	ヒロセ電機(株)		

- NOTES
- 1 REEL: 1000 CONNECTORS.
 2. AT THE BEGINNING OF THE REEL, 30 COMPONENTS SHALL BE EMPTY.
 3. AT THE END OF THE REEL, 20 COMPONENTS SHALL BE EMPTY.
 4. WHEN THE TAPE WIDTH IS 32mm, SPROCKET HOLES SHALL BE SET ON BOTH SIDES OF REEL AS SHOWN ON THIS DRAWING.
 5. PEEL FORCE REFERS TO JIS C 0806.



S-S



PART NO.	CODE NO.	L	M	N	P	Q
DF15(6.2)-20DP-0.65V(56)	CL677-0162-7-56	16.0	-	7.5	10.15	17.5
DF15(6.2)-30DP-0.65V(56)	CL677-0163-0-56	24.0	-	11.5	13.4	25.5
DF15(6.2)-40DP-0.65V(56)	CL677-0164-2-56	24.0	-	11.5	16.65	25.5
DF15(6.2)-50DP-0.65V(56)	CL677-0165-5-56	32.0	28.4	14.2	19.9	33.5

DRAWING NO. EDC3-302781-01

SCALE: FREE

UNITS: mm

PART NO. DF15(6.2)-*DP-0.65V(56)

CODE NO. CL677-

2/2

HIROSE ELECTRIC CO., LTD

HRS

APPROVED: *J. Michino*

CHECKED: *A. Takahashi*

DESIGNED: *J. Michino*

DRAWN: *A. Maruyama*

DATE: 05.11.21

DATE: 05.11.21

FORM NO. 229

TO	