

SPECIFICATIONS:

MATERIALS:
 CASE, PPS, COLOR- BROWN
 COVER, STEEL, PLATING- TIN
 ACTUATOR, SEE TABLE
 CONTACT, COPPER ALLOY, PLATING- SILVER CLAD
 TERMINAL, COPPER ALLOY, PLATING- SILVER

ELECTRICAL:

MAX CONTACT RATING: 50MILLIAMPS@24V DC
 MIN CONTACT RATING: 10MICROAMPS@1V DC
 INITIAL CONTACT RESISTANCE, 100 MILLIOHMS MAX, PER EIA-364-23B, EACH POSITION
 INSULATION RESISTANCE, 100 MEGOHM MIN. PER EIA-364-21C EACH POSITION
 DIELECTRIC STRENGTH, 250 V AC FOR 1 MINUTE, PER EIA-364-20B, CONDITION 1, EACH POSITION.
 CONTACT BOUNCE, 10 MILLISECOND MAX, PER EIA 448-1B, METHOD 15

MECHANICAL:

ACTUATION FORCE, SEE TABLE
 ACTUATION TRAVEL, .010 +.008/-.004
 LIFE EXPECTANCY, 100,000 CYCLES MIN (2 CYCLES PER SECOND AND 150% ACTUATION FORCE),
 PER EIA-448 METHODS 8 AND 9
 VIBRATION, PER EIA 364-28D, CONDITION VII, LEVEL E
 MECHANICAL SHOCK, PER EIA-364-27C, CONDITION A

ENVIRONMENTAL:

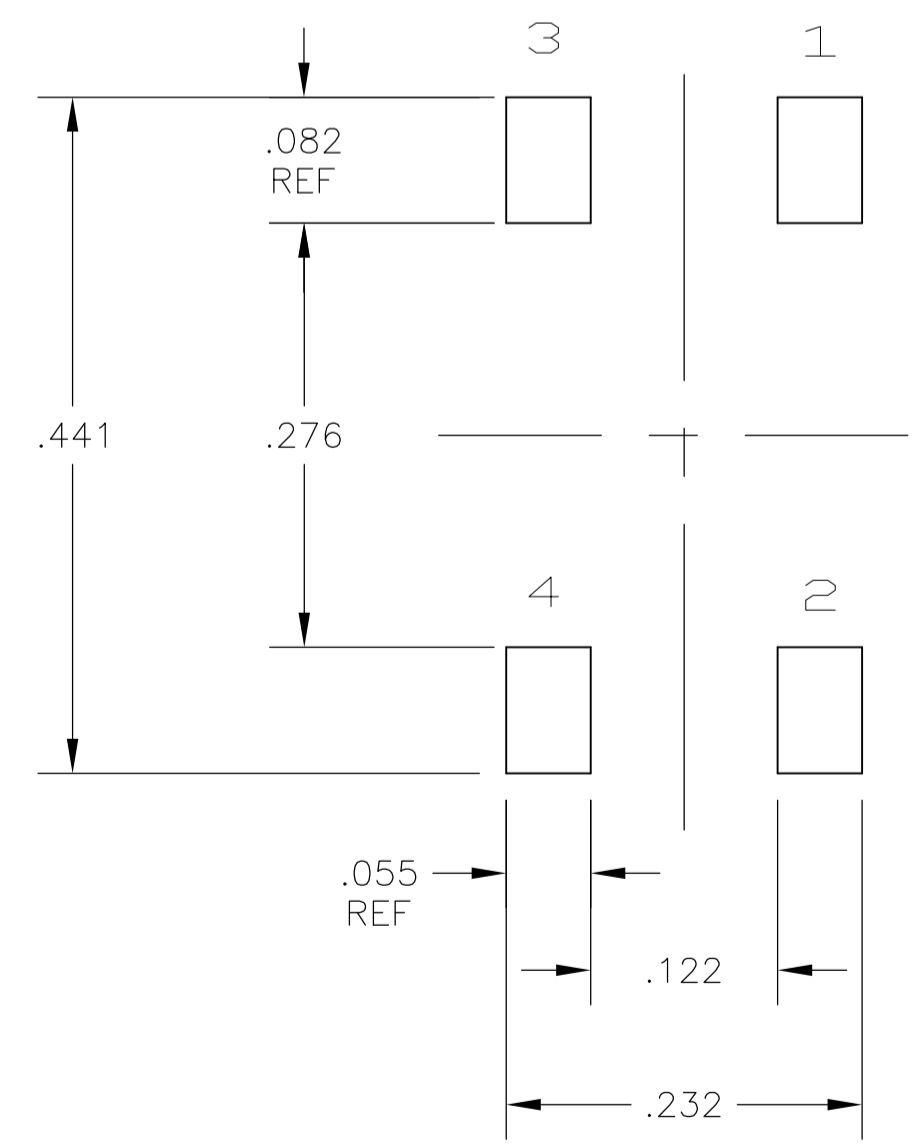
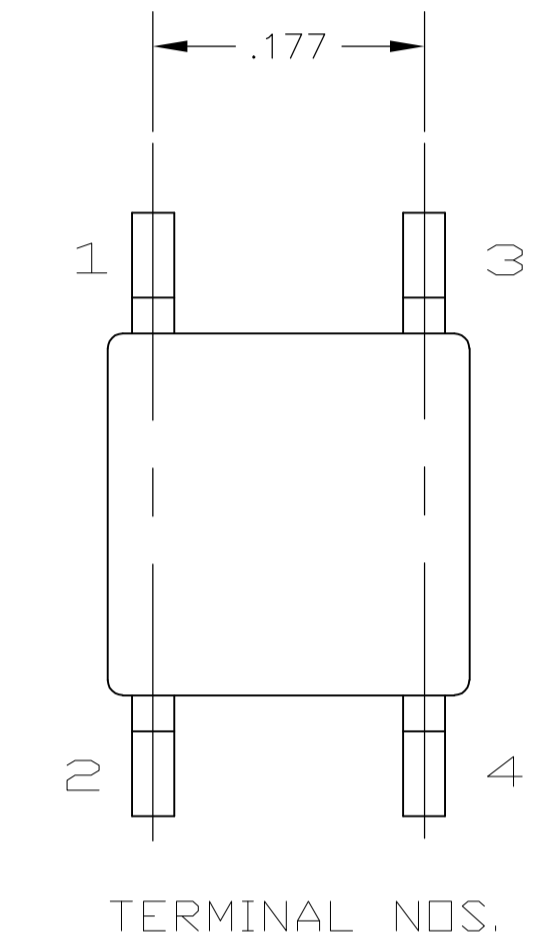
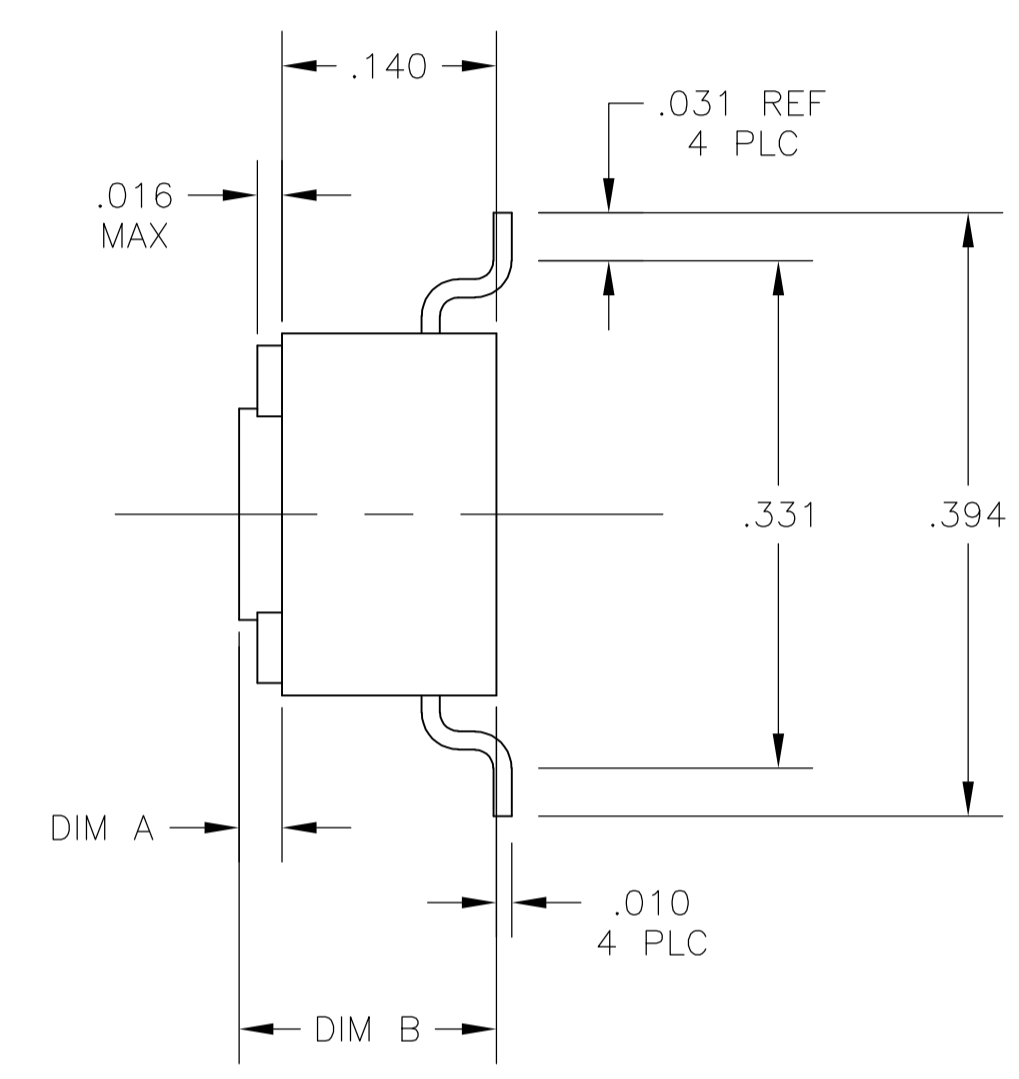
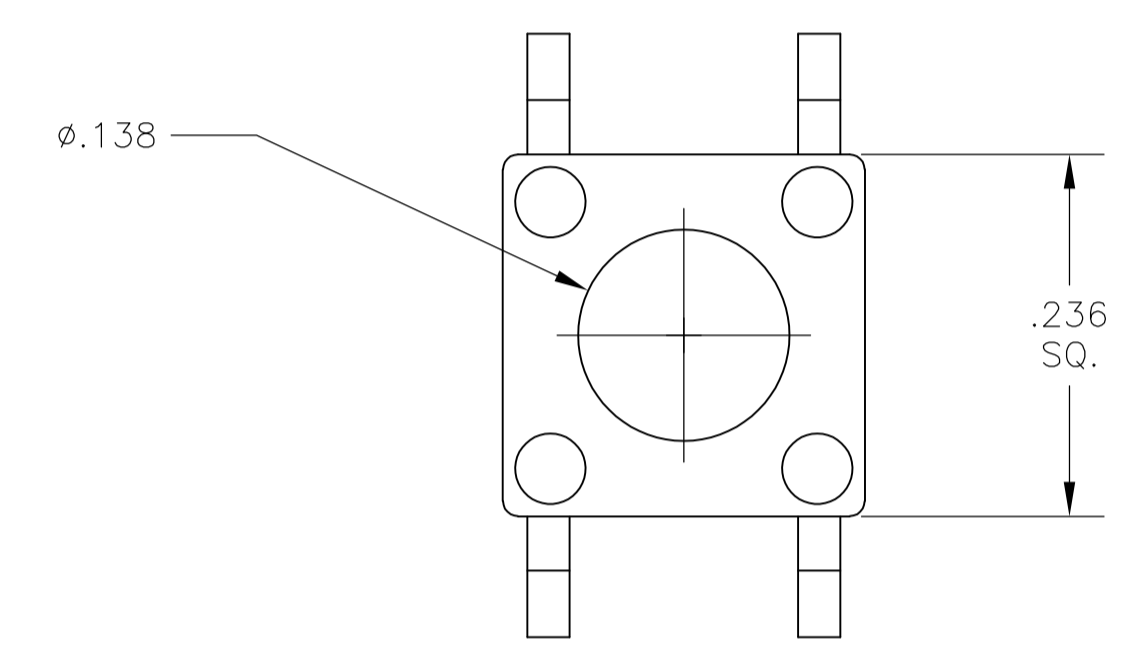
OPERATING TEMPERATURE, -35 TO +85 DEGREES C
 STORAGE TEMPERATURE, -35 TO +85 DEGREES C
 HUMIDITY AND TEMPERATURE CYCLING PER EIA-364-31B, METHOD III
 THERMAL SHOCK, PER EIA-364-32C, -40 TO +80 DEGREES C
 SOLDERABILITY, PER EIA-364-52, CLASS 2, CATEGORY 1, TEMP, 245 DEGREES C MAX,
 TIME, 2.5 SECONDS MAX, 95% MINIMUM COVERAGE
 RESISTANCE TO SOLDER HEAT, PER 109-201 CONDITION B
 NO CHANGE IN INITIAL ELECTRICAL AND MECHANICAL CHARACTERISTICS

SEALED PER IP67

PACKAGING:

TAPE AND REEL PER EIA-481, SWITCH TO HAVE ACTUATOR FACING DOWN.

1. ALL MATERIALS AND FINISHES SHALL COMPLY WITH EU DIRECTIVE
 2002/95/EC OF 27JAN2003 (ROHS)



RECOMMENDED PAD LAYOUT
 TOLERANCE ±.002 UNLESS
 OTHERWISE NOTED

| < >-INDICATES MOMENTARY POSITION | | |
|----------------------------------|------------------------|-----------------|
| CIRCUIT CHARACTERISTICS | | |
| CONTACT POSITION | | CIRCUIT DIAGRAM |
| OFF | | |
| | <DN> 1 - 3 2 - 4 | |

| | | | | | |
|--|--|------------------------------------|---|-----------|------------------|
| BROWN | PPS | 100±50 GRAMS | .169±.006 | .028±.004 | 1571611-2 |
| - | SILICON RUBBER | 100±50 GRAMS | .169±.006 | .028±.004 | 1571611-1 |
| ACTUATOR COLOR | ACTUATOR MATERIAL | OPERATING FORCE | B | A | TYCO PART NUMBER |
| THIS DRAWING IS A CONTROLLED DOCUMENT. | | DWN FR CHK M APVD M | 25SEP03 25SEP03 25SEP03 Tyco Electronics Corporation Harrisburg, PA | | |
| DIMENSIONS: INCHES | TOLERANCES UNLESS OTHERWISE SPECIFIED: | PRODUCT SPEC | NAME PUSHBUTTON SWITCH 6 X 6mm, SMT, SPECIAL TAPE AND REEL PACKAGING | | |
| | 0 PLC ± - 1 PLC ± - 2 PLC ± - 3 PLC ± .012 4 PLC ± - ANGLES ± - | APPLICATION SPEC | SIZE | CAGE CODE | DRAWING NO |
| MATERIAL | FINISH | WEIGHT | A1 | 00779 | 1571611 |
| CUSTOMER DRAWING | | SCALE | 8:1 | SHEET | 1 OF 1 |