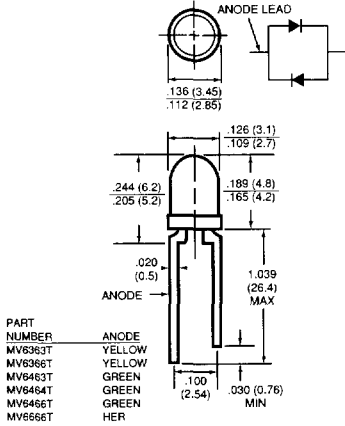
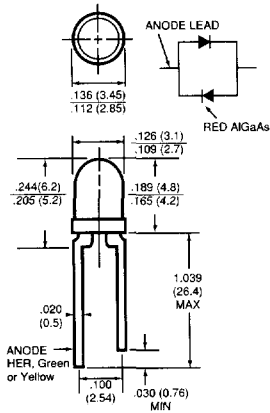


T-100 Bicolor / Bipolar LED Lamp										
Part Number	Source Color	Wave-length λ_p (nm)	Lens Color	Typical Viewing Angle	Forward Voltage V_F (V)		Luminous Intensity I_V (mcd)		Notes	
					typ	max	min	typ		
MV6363T	Yellow	585	Yellow Diffused	70°	2.0	2.8	1.1	4.5	4	
	Yellow	585			2.0	2.8	1.1	4.5	4	
MV6366T	Yellow	585	White Diffused	70°	2.0	2.8	1.1	4.5	4	
		635			2.0	2.8	1.1	4.5	4	
MV6463T	Yellow	565	White Diffused	70°	2.1	2.8	1.1	4.5	4	
		585			2.0	2.8	1.1	15.0	4	
MV6464T	HER	565	Green Diffused	70°	2.1	2.8	1.1	4.5	4	
		565			2.1	2.8	1.1	4.5	4	
MV6466T	HER	565	White Diffused	70°	2.1	2.8	1.1	4.5	4	
		635			2.1	2.8	1.1	4.5	4	
MV6666T	HER	635	Red Diffused	70°	2.0	2.8	1.1	4.5	4	
		635			2.0	2.8	1.1	4.5	4	

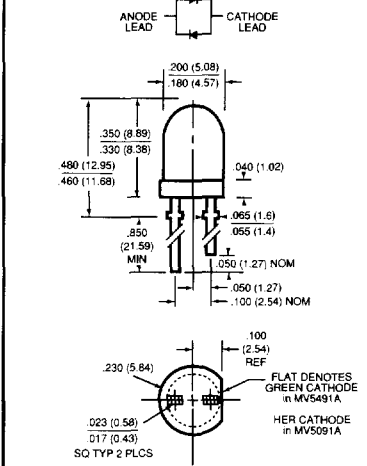


T-100 Bicolor										
Part Number	Source Color	Wave-length λ_p (nm)	Lens Color	Typical Viewing Angle	Forward Voltage V_F (V)		Luminous Intensity I_V (mcd)		Notes	
					typ	max	min	typ		
MV6661A	RED AlGaAs	635	Red Diffused	100°	2.1	3.0	2.5	10	4	
		660			2.1	3.0	2.5	10	4	
MV6461A	HER, Green or Yellow	565	White Diffused	100°	2.1	3.0	2.5	10	4	
		660			2.1	3.0	2.5	10	4	
MV6361A	Yellow	585	White Diffused	100°	2.1	3.0	2.5	10	4	
		660			2.1	3.0	2.5	10	4	

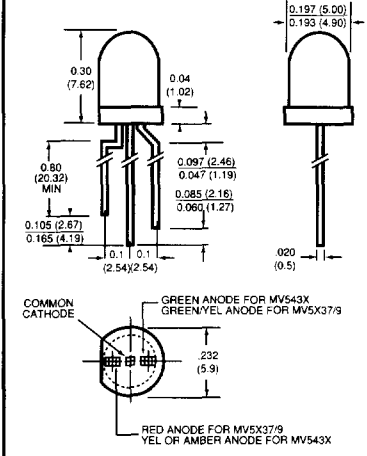


MULTICOLOR & BIPOLAR LED LAMPS

T-1 3/4 Bipolar										
Part Number	Source Color	Wave-length λ_p (nm)	Lens Color	Typical Viewing Angle	Forward Voltage V_F (V)		Luminous Intensity I_V (mcd)		Notes	
					typ	max	min	typ		
MV5094A		660	Red Diffused	75°	2.3	3.0	2.0	6.0	4	
		635								
MV5491A		660	White Diffused	100°	2.3	3.0	2.0	6.0	4	
		565								



T-1 3/4 Bicolor 3 - Lead, Common Cathode LED Lamp										
Part Number	Source Color	Wave-length λ_p (nm)	Lens Color	Typical Viewing Angle	Forward Voltage V_F (V)		Luminous Intensity I_V (mcd)		Notes	
					typ	max	min	typ		
MV5337	Yellow	585	White Diffused	100°	2.1	3.0	2.0	6.0	4	
		635								
MV5433	Yellow	565	White Diffused	100°	2.3	3.0	2.0	6.0	4	
		585								
MV5437		565	White Diffused	100°	2.1	3.0	2.0	6.0	4	
		635								
MV5438		565	White Diffused	100°	2.3	3.0	2.0	6.0	4	
		610								
MV5439		565	White Diffused	100°	2.3	3.0	2.0	6.0	4	
		660								

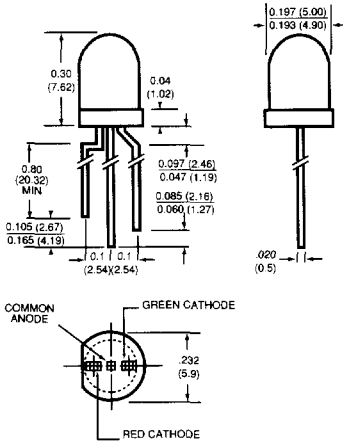


Notes:

- 4. V_F & I_V @ $I_F = 20$ mA.
- HER = High Efficiency Red.

MULTICOLOR & BIPOLAR LED LAMPS

T-1 3/4 Bicolor 3 - lead, Common Anode LED Lamp										
Part Number	Source Color	Wave-length λ_p (nm)	Lens Color	Typical Viewing Angle	Forward Voltage V_F (V)		Luminous Intensity I_V (mcd)		Notes	
					typ	max	min	typ		
MV5439A	[Black]	565	White Diffused	100°	2.3	3.0	2.0	6.0	4	
		660			1.7	2.4	10	25	4	



Rectangular Bicolor 3 - lead, Common Cathode LED Lamp										
Part Number	Source Color	Wave-length λ_p (nm)	Lens Color	Typical Viewing Angle	Forward Voltage V_F (V)		Luminous Intensity I_V (mcd)		Notes	
					typ	max	min	typ		
MV5433RA	[Black]	565	White Diffused	100°	2.1	2.8	1.0	2.0	4	
		Yellow			585	2.2	3.0	1.0	2.0	4
MV5437RA	[Black]	565	White Diffused	100°	2.1	2.8	1.0	2.0	4	
		635			2.2	2.8	1.0	3.5	4	

