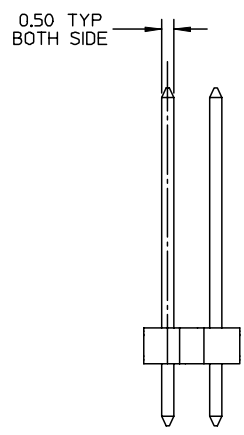
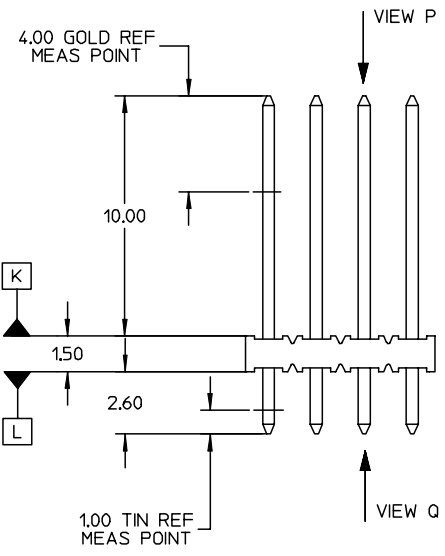
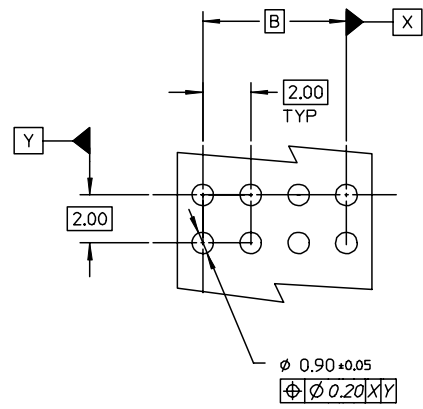
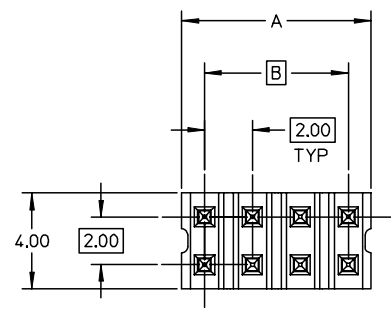


PART NUMBER	CKT SIZE	A	B
87758-0008	8	7.90	6.00



NOTES:

- MATERIAL:
HOUSING: 30% G.F. NYLON 46, 94V-0. COLOR: BLACK
PIN: 0,50mm SQ. PHOSPHOR BRONZE 510
- PLATING:
15u"/0.38um MIN GOLD IN CONTACT AREA,
75u"/1.90um MIN TIN IN SOLDER AREA, BOTH OVER
50u"/1.25um MIN NICKEL OVERALL.
- 8 CKT USED FOR ILLUSTRATION ONLY
- PACKED IN POCKET TRAY
- PIN PUSHOUT FORCE: 1KG MIN IN EITHER DIRECTION
- PRODUCT SPEC PS-87761-100 APPLIES.

$\phi 0.71 \pm 0.07$
 $\phi 0.30 @ K$



VIEW P

$\phi 0.71 \pm 0.07$
 $\phi 0.30 @ L$



VIEW Q

EC NO: S2004-0875 DRWN:KSEE 2004/07/13 CHKD:PTLIM 2004/07/13 APPR:SKTOH 2004/07/14	QUALITY SYMBOLS ▽ = 0 ▽ = 0	GENERAL TOLERANCES (UNLESS SPECIFIED)		SCALE NTS	DESIGN UNITS METRIC	THIRD ANGLE PROJECTION	REVISE ON CAD ONLY
			mm	INCH	DIMENSION STYLE MM ONLY	TITLE	
A	DESCRIPTION	4 PLACES	± ---	± ---	DRAWN BY KSEE	DATE 2004/06/28	SALES DRAWING 2MM DUAL ROW SINGLE WAFFER HDR., VERT. T/H
		3 PLACES	± ---	± ---	CHECKED BY PTLIM	DATE 2004/07/08	
		2 PLACES	± 0.20	± ---	APPROVED BY SCLOW	DATE 2004/07/08	MATERIAL NO. SEE TABLE
		1 PLACE	± ---	± ---	DOCUMENT NO. SD-87758-146		SHEET NO. 1 OF 1
		ANGULAR ± 3 °		DRAFT WHERE APPLICABLE		THIS DRAWING CONTAINS INFORMATION THAT IS PROPRIETARY TO MOLEX INCORPORATED AND SHOULD NOT BE USED WITHOUT WRITTEN PERMISSION	
		MUST REMAIN WITHIN DIMENSIONS				B	