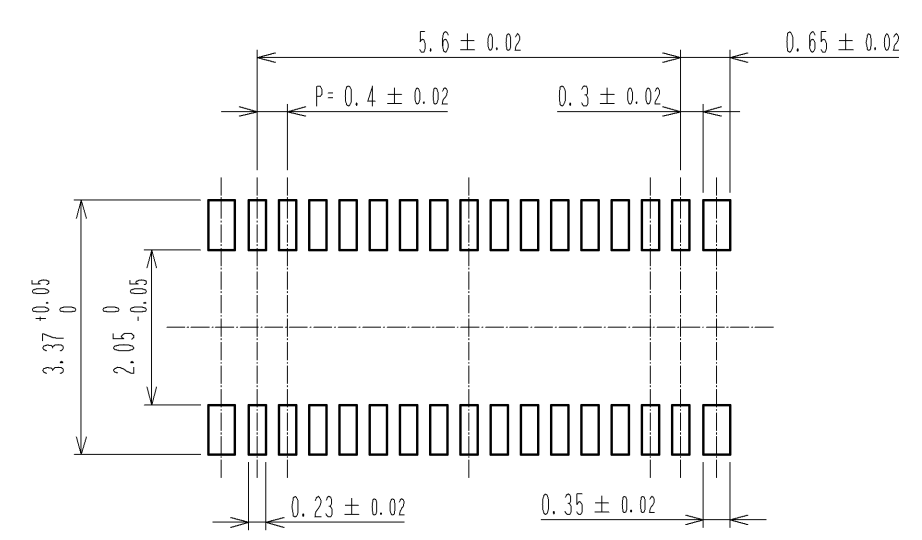


RECOMMENDED PCB LAYOUT

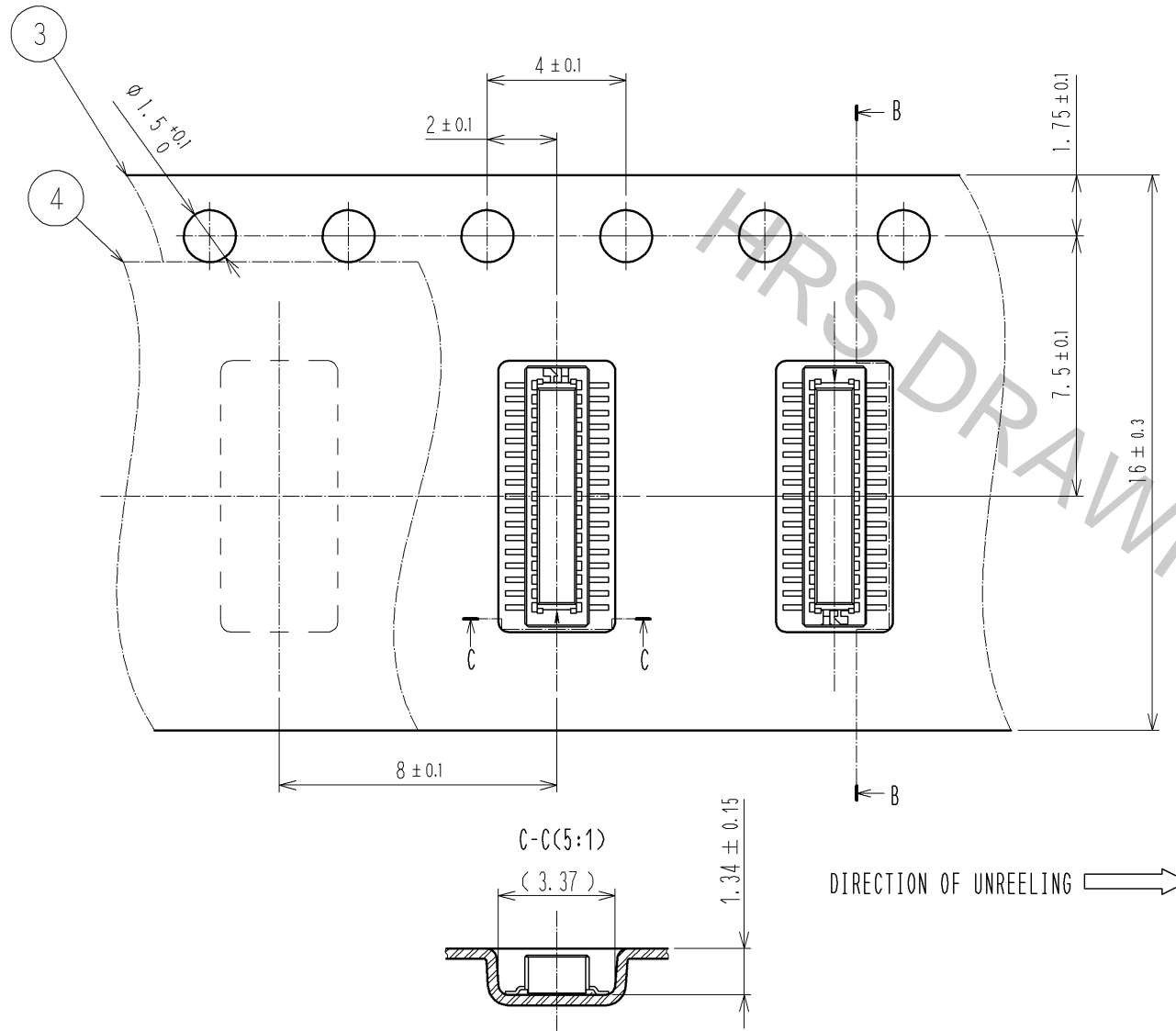


RECOMMENDED METAL MASK THICKNESS 120 μm, OPEN RATIO 80%

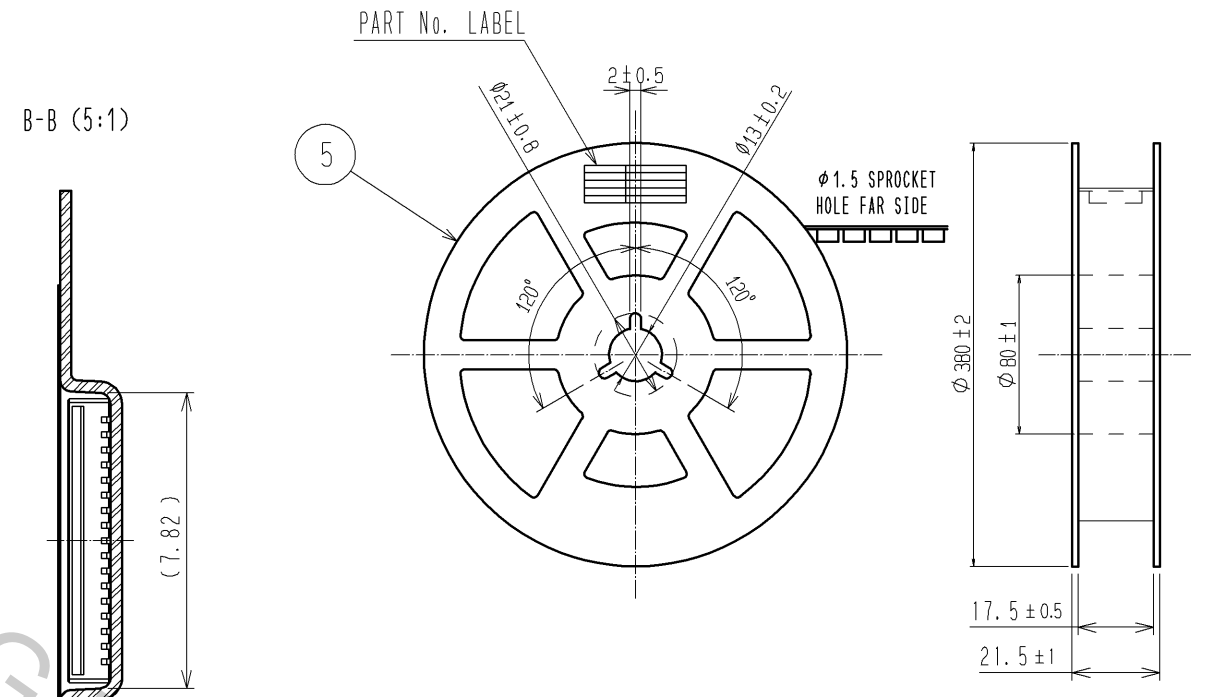
- NOTES) 1. ALL LEADS CO-PLANARITY SHALL BE 0.1MAX.
 2 EACH ONE CONTACT AT 4 CORNERS SHALL BE USED AS METAL HOLD DOWN.
 3 CONTACT PLATING SPECIFICATIONS
 CONTACT AREA : PdNi0.76 μm+AuPO.05 μm MIN
 SMT LEAD : PdNi0.76 μm+AuPO.05 μm MIN
 UNDERPLATING : NICKEL 2 μm MIN
 4 HRS MARK AND CAV NO. ARE INDICATED IN APPROXIMAL POSITION SHOWN.
 THE INDICATION COULD BE ON THE UPPER SURFACE OF DESIGN ON THE CONNECTOR.
 5 THE DIMENSIONS INDICATED IN THE FIGURE IS REFERENCE.
 AN ELECTRIC PERFORMANCE IS GUARANTEED BY BEING MAINTAINED AS SHOWN IN THE FIGURE.

3	PS	CLEAR, EMBOSSED CARRIER TAPE	5	PS	BLACK, PLASTIC REEL		
2	PHOSPHOR BRONZE	3	4	POLYESTER	CLEAR, COVER TAPE		
1	LCP	BLACK, UL94V-0					
NO.	MATERIAL	FINISH, REMARKS	NO.	MATERIAL	FINISH, REMARKS		
UNITS mm		SCALE 5 : 1	COUNT △	DESCRIPTION OF REVISIONS	DESIGNED	CHECKED	DATE
HRS HIROSE ELECTRIC CO., LTD.		APPROVED : KH. IKEDA	11.07.29	DRAWING NO. EDC3-315644-01			
		CHECKED : AR. TAKAHASHI	11.07.29	PART NO. DF40JC-30DP-0.4V(53)			
		DESIGNED : TR. YUNOKI	11.07.29	CODE NO. CL684-4070-0-53			
		DRAWN : TR. YUNOKI	11.07.29			△ 1/2	

EMBOSSED CARRIER TAPE PACKAGING (5:1)



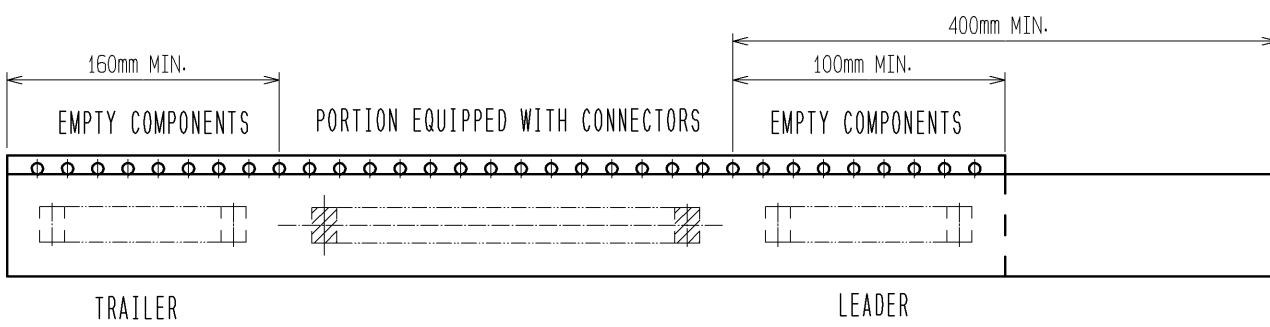
STYLE AND DIMENTION OF REEL (FREE)



DETAIL OF PART No. LABEL

製造年月日	** ** *
製品コード	CL684-4070-0-53
製品名	DF40JC-30DP-0.4V(53)
数量	200
納入者	ヒロセ電機(株)

DATE OF MANUFACTURED
CODE No.
PART No.
QUANTITY
SUPPLIER



8 TAPING (FREE)

- 6. PER REEL 200 CONNECTORS.
- 7. THE DIMENSIONS IN PARENTHESES ARE FOR REFERENCE.
- 8. REFER TO JIS C 0806(PACKAGING OF COMPONENTS FOR AUTOMATIC HANDLING)

HRS	DRAWING NO.	EDC3-315644-01
	PART NO.	DF40JC-30DP-0.4V(53)
	CODE NO.	CL684-4070-0-53
		△ 2/2