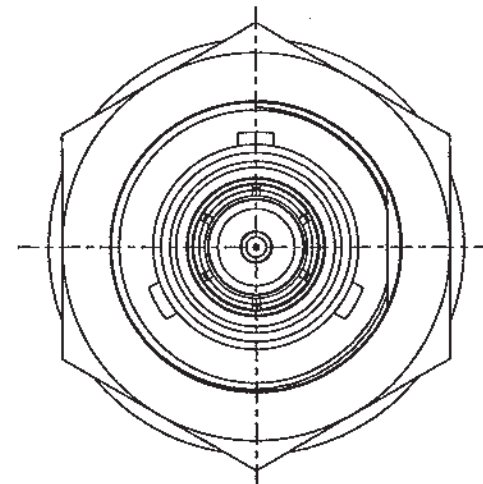
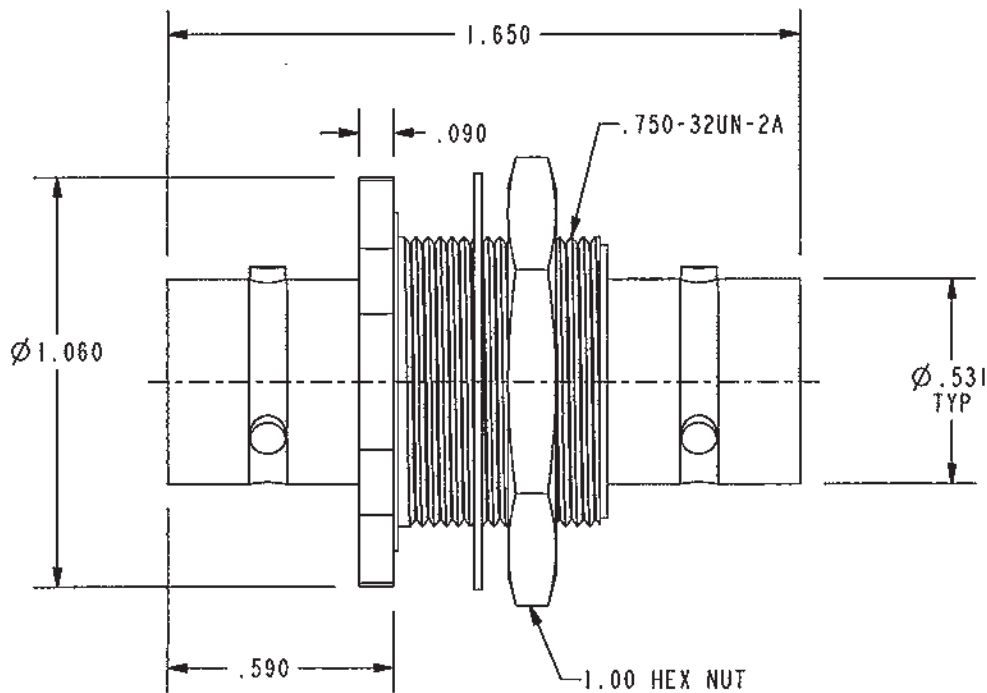
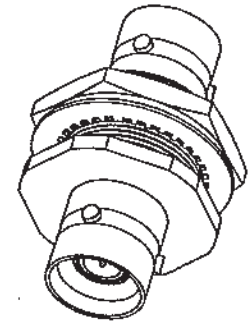
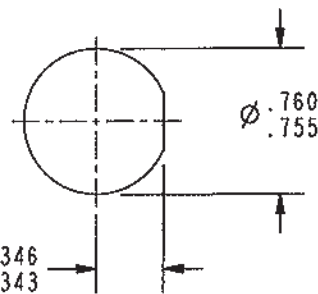


DATA CONTAINED IN THIS DOCUMENT IS PROPRIETARY TO TROMPETER ELECTRONICS INC. AND SHALL NOT BE DISCLOSED, COPIED OR USED FOR PROCUREMENT OR MANUFACTURE WITHOUT EXPRESS WRITTEN PERMISSION.

REVISIONS			
REV	DESCRIPTIONS	DATE	APPROVED
A	REVISED PER ECO 16181	6/26/06	LMC



RED INDICATES ORIGINAL



RECOMMENDED
PANEL CUTOUT
SCALE: 1/1

3. CONCENTRIC TWINAX/TRIAX NONINSULATED BLUKHEAD MOUNT FEEDTHRU JACK
2. MAX PANEL THK .343
1. FINISH: TFS-1A (NICKEL)

NOTES: UNLESS OTHERWISE SPECIFIED.

INTERPRET DRAWING PER MIL-STD-100. DIMENSIONS ARE IN INCHES AND INCLUDE FINISH THICKNESS UNLESS OTHERWISE SPECIFIED.		TOL: UNLESS SPECIFIED. .XX ± .02 .XXX ± .010 ANGLE ± 1°			
DRN CJM CHN 96 QUALITY MANUF APPROVED LMC 6/24/06 PROJ FILE NO. 3-0110	6-15-06 6-26-06	MATERIAL: FINISH:	TITLE: BJ883	SIZE A SCALE 1/1	CAGE CODE 14949 DATE 12-16-86
NEXT ASSY	DO NOT SCALE DWG	DRAWING NO. 3-0110	REV. A	SHEET 1C	