

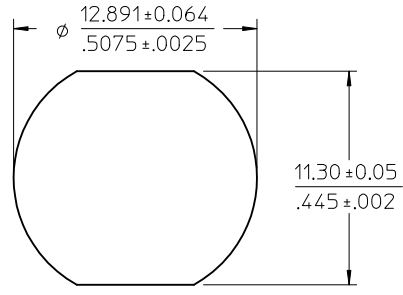
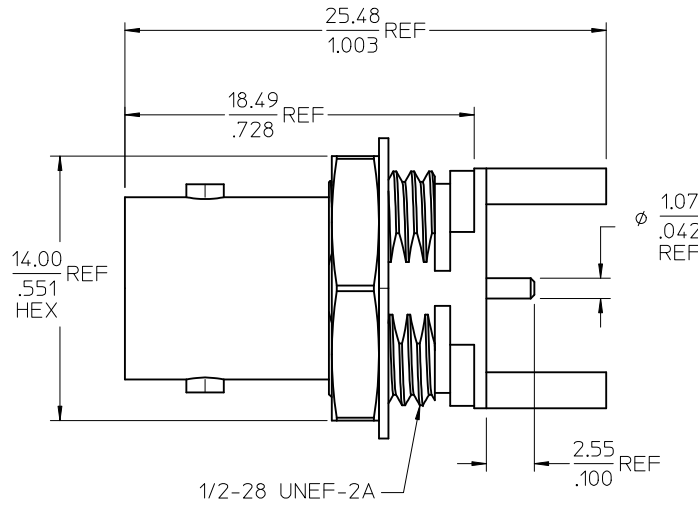
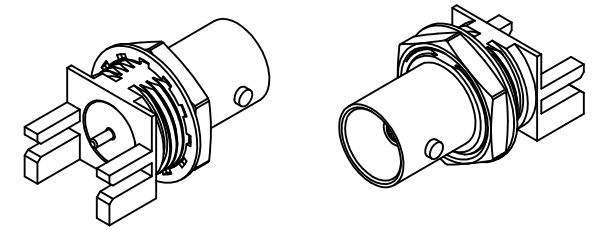
MATERIALS AND FINISHES

BODY, JAMNUT BRASS
PLATED SEE TABLE

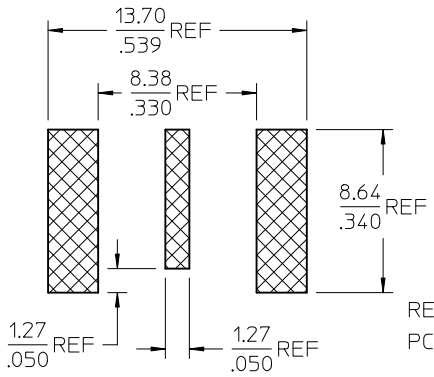
CENTER CONTACT BERYLLIUM COPPER
PLATED GOLD

INSULATOR TEFLON

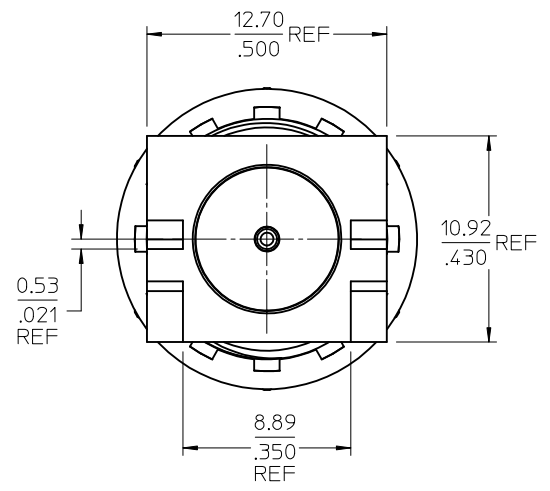
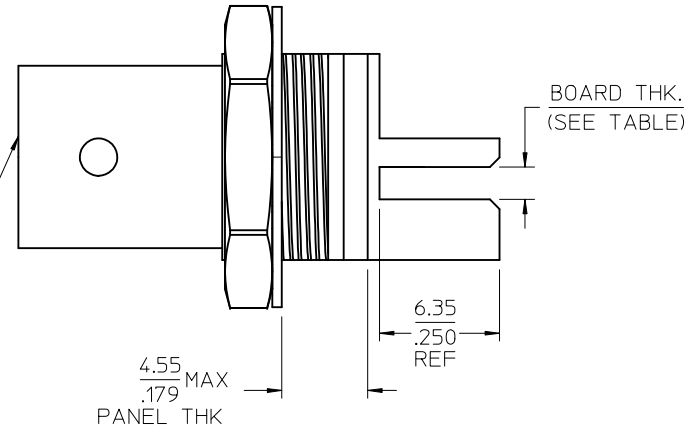
LOCKWASHER PHOSPHOR BRONZE
PLATED SEE TABLE



RECOMMENDED PANEL CUTOUT



BNC JACK INTERFACE



MIL-STD-348A, FIG. 301.2	INTERFACE
SPECIFICATION	DESCRIPTION

CHG: TABULATED DIM A. CHANGED FROM SLOT WIDTH TO BOARD THK. ADDED -2603 THRU -2606 AND SHEET 2	REV	DESCRIPTION
	A2	

EC NO: URF2009-0149	2008/09/23	DRWN:SSHAH	2008/09/23	CHKD:ROBERTSON	2008/09/23	APPR:WIENER	2008/09/23
---------------------	------------	------------	------------	----------------	------------	-------------	------------

QUALITY SYMBOLS	GENERAL TOLERANCES (UNLESS SPECIFIED)
▽=0	mm INCH
▽=0	4 PLACES ± --- ± ---
	3 PLACES ± --- ± ---
	2 PLACES ± --- ± ---
	1 PLACE ± --- ± ---
	ANGULAR ± 2 °
	DRAFT WHERE APPLICABLE MUST REMAIN WITHIN DIMENSIONS

DIMENSION STYLE MM/IN	
DRAWN BY	DATE
SSS	2005/03/30
CHECKED BY	DATE
TEF	2005/03/30
APPROVED BY	DATE
JDE	2005/03/30
MATERIAL NO. SEE SHEET 2	
SIZE C	

SCALE	DESIGN UNITS METRIC	THIRD ANGLE PROJECTION
TITLE		
BNC JACK, BULKHEAD, PCB 75 OHMS 3 GHZ EWR2754 BNC-J/PCB		
MOLEX INCORPORATED		
DOCUMENT NO.	SHEET NO.	
SD-73171-260	1 OF 2	
THIS DRAWING CONTAINS INFORMATION THAT IS PROPRIETARY TO MOLEX INCORPORATED AND SHOULD NOT BE USED WITHOUT WRITTEN PERMISSION		

13

12

11

10

9

8

7

6

5

4

3

2

1

J

J

I

I

H

H

G

G

F

F

E

E

D

D

C

C

B

B

A

A

73171-2606	.120 REF	3.05 REF	NICKEL
73171-2605	.120 REF	3.05 REF	GOLD
73171-2604	.084 REF	2.13 REF	NICKEL
73171-2603	.084 REF	2.13 REF	GOLD
73171-2602	.060/.064 REF	1.52/1.63 REF	NICKEL/BULK
73171-2601	.060/.064 REF	1.52/1.63 REF	73171-2600, ONE PER BAG
73171-2600	.060/.064 REF	1.52/1.63 REF	GOLD/BULK
PART NO.	IN	MM	PLATING/PACKAGING
BOARD THK.			

CHG: SEE SHEET 1 EC NO: URF2009-0149 DRAWN:SSHAH 2008/09/23 CHKD:ROBERTSON 2008/09/23 APPR:JWIENER 2008/09/23	QUALITY SYMBOLS
	DESCRIPTION
REV	A2

=0

=0

GENERAL TOLERANCES (UNLESS SPECIFIED)

	DIMENSION STYLE	
	MM	INCH
4 PLACES	± .005	± .0005
3 PLACES	± .005	± .0005
2 PLACES	± .005	± .0005
1 PLACE	± .005	± .0005
ANGULAR ± 2 °		

DRAFT WHERE APPLICABLE MUST REMAIN WITHIN DIMENSIONS

DIMENSION STYLE
MM/IN

DRAWN BY	DATE
SSS	2005/03/30
CHECKED BY	DATE
TEF	2005/03/30
APPROVED BY	DATE
JDE	2005/03/30

MATERIAL NO.
SEE TABLESIZE
C

SCALE

DESIGN UNITS
METRIC

THIRD ANGLE PROJECTION

TITLE
BNC JACK, BULKHEAD, PCB
75 OHMS 3 GHZ EWR2754
BNC-J/PCB

MOLEX INCORPORATED

DOCUMENT NO.
SD-73171-260SHEET NO.
2 OF 2

THIS DRAWING CONTAINS INFORMATION THAT IS PROPRIETARY TO MOLEX INCORPORATED AND SHOULD NOT BE USED WITHOUT WRITTEN PERMISSION

12

11

10

9

8

7

6

5

4

3

2

1