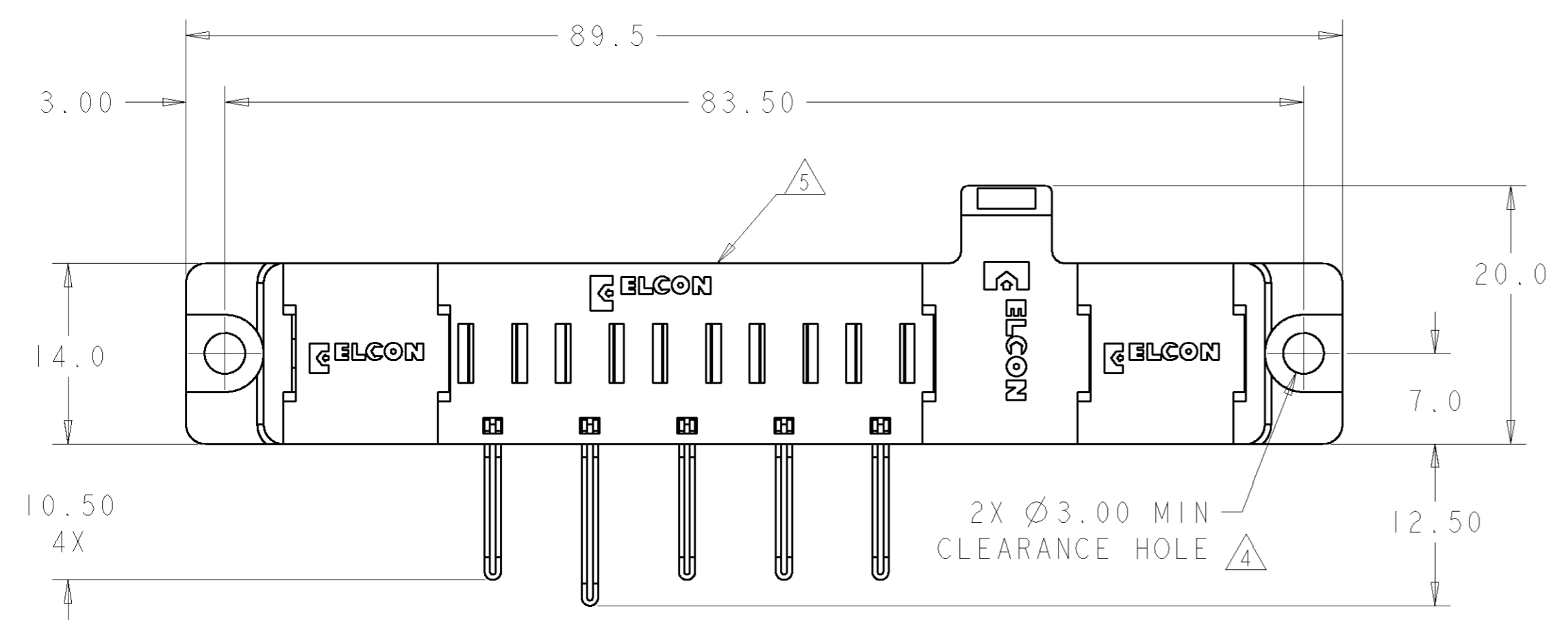


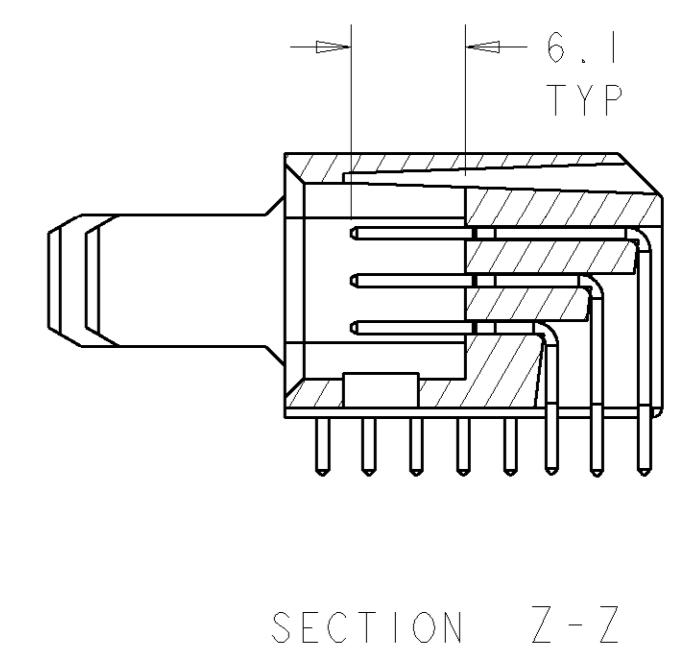
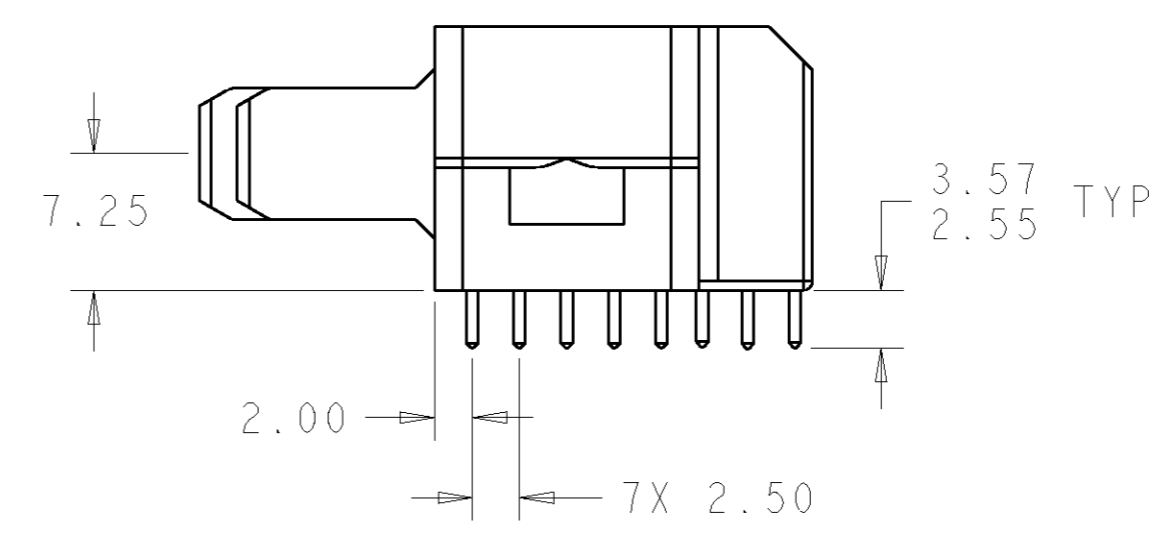
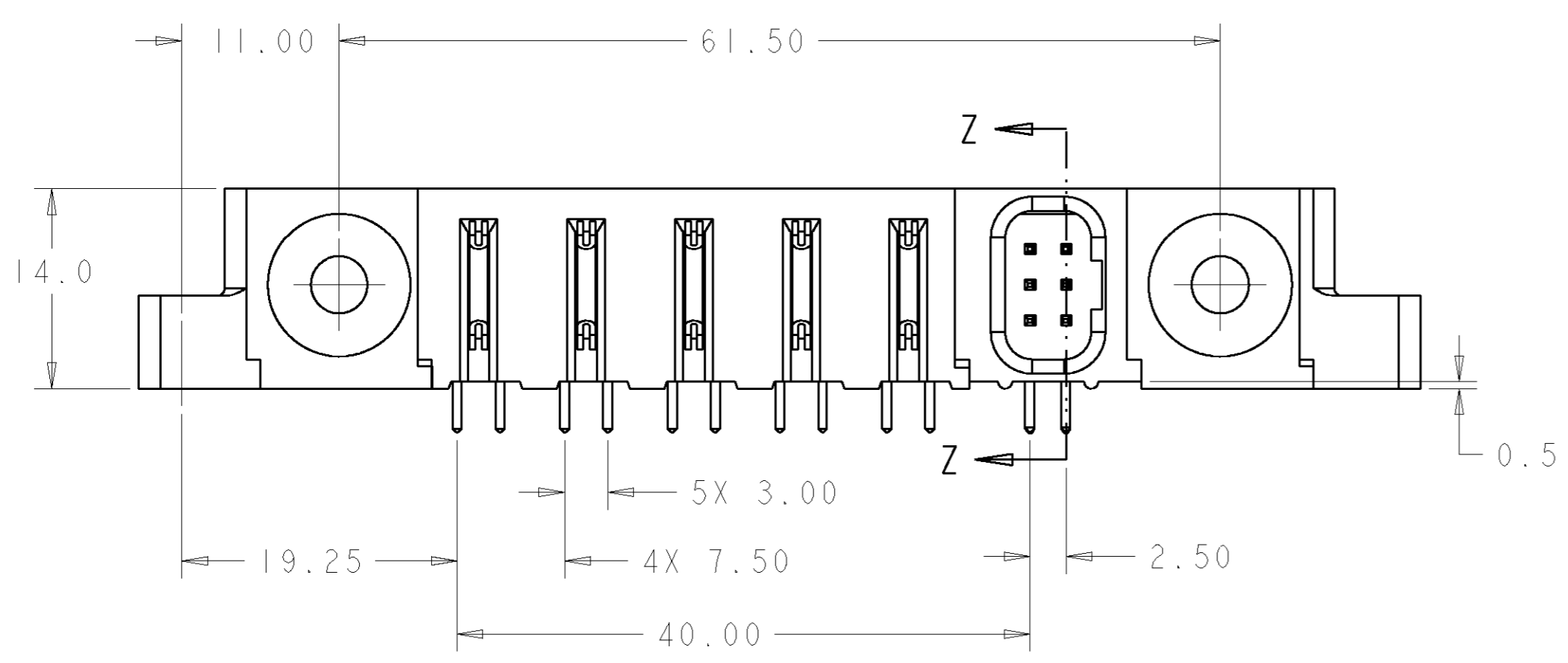
| LOC | DIST | REVISIONS | | | |
|-----|------|-------------|-------------|-----------|-------|
| P | LTR | DESCRIPTION | DATE | DWN | APVD |
| GP | 00 | A | NEW RELEASE | 07SEP2007 | RG PD |



- PART NUMBER CHANGES AND OR DESIGN CHANGES AFFECTING ITEM INTERCHANGEABILITY REQUIRE PRIOR TYCO ELECTRONICS APPROVAL AND AUTHORIZATION BY REVISION TO THIS DRAWING.
- MATERIAL:
 INSULATORS - THERMOPLASTIC, GLASS REINFORCED, COLOR: BLACK, UL94V-0 FLAMMABILITY RATED.
 POWER CONTACTS - PHOSPHOR BRONZE ALLOY, COPPER ALLOY
 SOLDER SIGNAL PINS-BRASS ALLOY
 CROWN BAND-BERYLLIUM COPPER ALLOY
- FINISH:
 CONTACTS - GOLD PLATE 0.76µm MIN. THK., OVER NICKEL 1.27µm MIN. THK
 SOLDER TAILS, TIN 3.05µm MIN. THK. OVER NICKEL 1.27µm MIN THK.

- △ MOUNTING FLANGES ACCEPT M3 OR #4-40 SCREWS, (USER SUPPLIED)
- △ ITEMS PROVIDED TO THIS SPECIFICATION TO BE PERMANENTLY IDENTIFIED PER THE FOLLOWING IDENTIFIER LABEL

TYCO ELECTRONICS P/N: XXXXXXXX-X
 DATE CODE (e.g. 0106): YEAR 1 WEEK 1
 XXXX



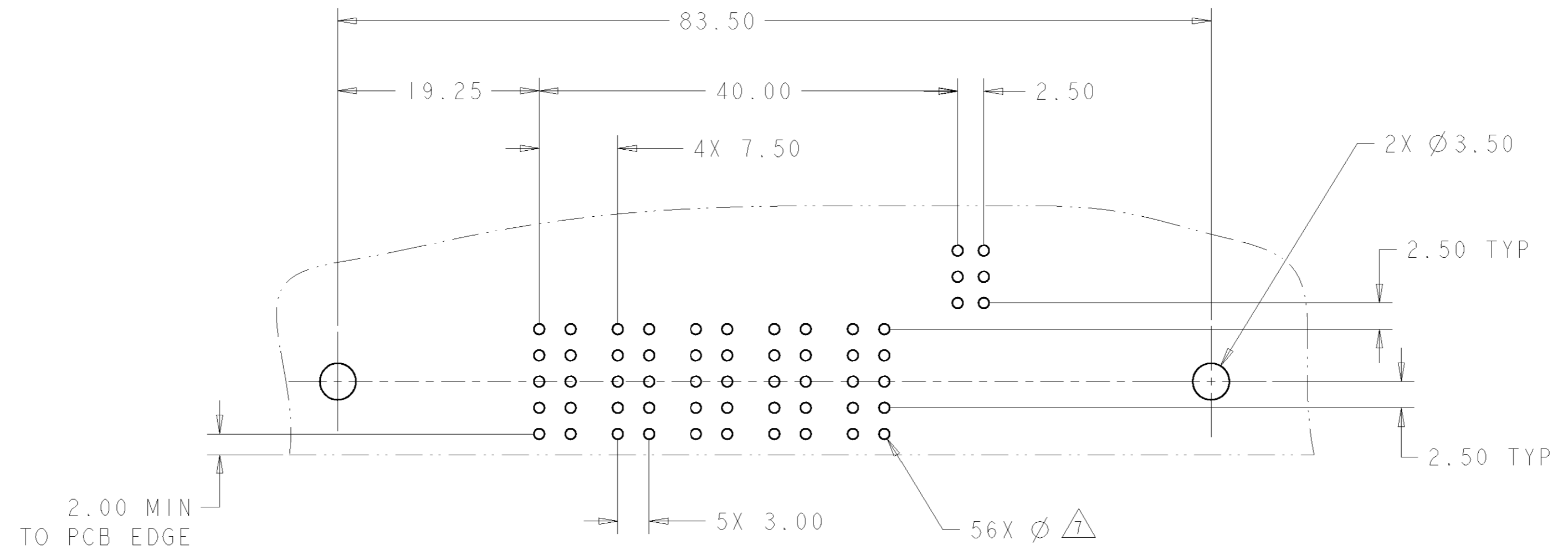
| | |
|-------------|-------------|
| AS SHOWN | 1926606-1 |
| DESCRIPTION | PART NUMBER |

ELCON FLATPAQ

| | | | |
|---|---|--|---|
| THIS DRAWING IS A CONTROLLED DOCUMENT FOR TYCO ELECTRONICS CORPORATION. IT IS SUBJECT TO CHANGE AND THE CONTROLLING ENGINEERING ORGANIZATION SHOULD BE CONTACTED FOR THE LATEST REVISION. | | DWN: R. GRZYBOWSKI CHK: P. DAMATO APVD: S. FLICKINGER | Tyco Electronics Harrisburg, PA 17105-3608 |
| DIMENSIONS: mm | TOLERANCES UNLESS OTHERWISE SPECIFIED: 0 PLC ±.5 1 PLC ±.5 2 PLC ±.25 3 PLC ±.5 4 PLC ±.5 ANGLES ±3 FINISH | NAME: PIN CONNECTOR, RIGHT ANGLE SOLDER TAILS FLATPAQ PRODUCT SPEC: - APPLICATION SPEC: - WEIGHT: - | SIZE: A2 CAGE CODE: 00779 DRAWING NO: 1926606 RESTRICTED TO: - |
| MATERIAL: - | | CUSTOMER DRAWING | SCALE: 3:1 SHEET 1 OF 3 REV A |

THIS DRAWING IS UNPUBLISHED. RELEASED FOR PUBLICATION 20
 © COPYRIGHT 20 BY TYCO ELECTRONICS CORPORATION. ALL RIGHTS RESERVED.

| LOC | DIST | REVISIONS | | | | | |
|-----|------|-----------|-----|-------------|------|-----|------|
| GP | 00 | P | LTR | DESCRIPTION | DATE | DWN | APVD |
| | | - | | SEE SHEET 1 | - | - | - |



PRINTED CIRCUIT LAYOUT
 COMPONENT SIDE

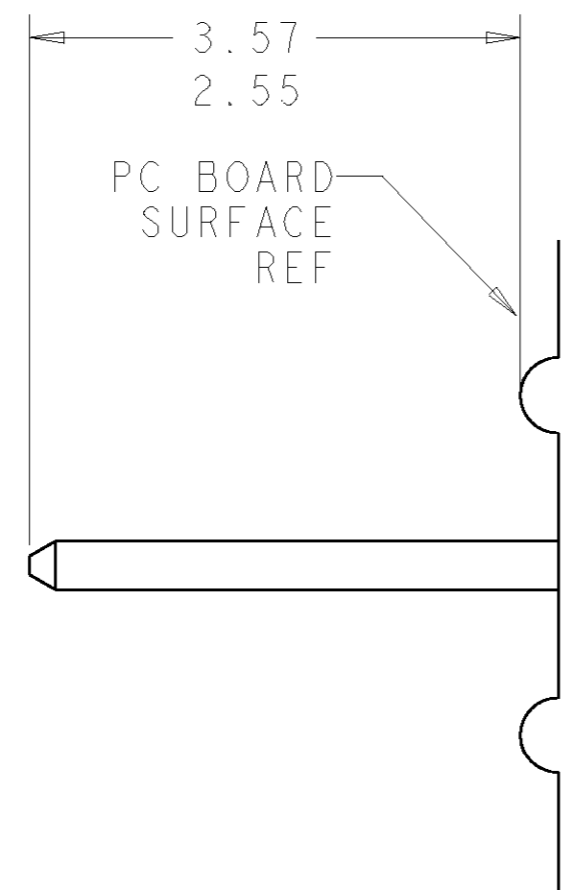
| CONNECTOR | EQUIVALENT CATALOG MODULE # | MODULE QTY | CONTACT QTY | SIZE NO. | MATING PIN | MAX. CURRENT (PER CONTACT) | CONTACT SPACING | VOLTAGE RATING |
|-----------|-----------------------------|------------|-------------|--------------------------|------------------------------|----------------------------|-----------------|----------------|
| PIN | FP105 | 4 | 4 | 8 | 1.25 X 7.00 [.049 X .276] | 35 amps | 7.50 [.2953] | 250 VOLTS |
| | FP106 | 1 | 1 | 8 | 1.25 X 7.00 [.049 X .276] | 35 amps | 7.50 [.2953] | 250 VOLTS |
| | FP314 | 1 | 6 | 22 | .64 [.025] SQ. | 3 amps | 2.50 [.0984] | 125 VOLTS |
| | FP506 | 2 | - | RIGHT ANGLE GUIDE SOCKET | | | | |
| | FP500 | 1 | - | LEFT MOUNTING FLANGE | | | | |
| | FP501 | 1 | - | RIGHT MOUNTING FLANGE | | | | |

| | | | |
|--|---|--|---|
| <small>THIS DRAWING IS A CONTROLLED DOCUMENT FOR TYCO ELECTRONICS CORPORATION. IT IS SUBJECT TO CHANGE AND THE CONTROLLING ENGINEERING ORGANIZATION SHOULD BE CONTACTED FOR THE LATEST REVISION.</small> | | DWN R.GRZYBOWSKI 07SEP2007 CHK P.DAMATO 07SEP2007 APVD S.FLICKINGER 07SEP2007 | Tyco Electronics Harrisburg, PA 17105-3608 |
| DIMENSIONS: mm | TOLERANCES UNLESS OTHERWISE SPECIFIED: 0 PLC ±.5 1 PLC ±.5 2 PLC ±.25 3 PLC ±.25 4 PLC ±.25 ANGLES ±3 FINISH | NAME: PIN CONNECTOR, RIGHT ANGLE SOLDER TAILS FLATPAQ PRODUCT SPEC: - APPLICATION SPEC: - WEIGHT: - | SIZE: A2 CAGE CODE: 00779 DRAWING NO: C-1926606 RESTRICTED TO: - |
| MATERIAL: - | | CUSTOMER DRAWING | SCALE: 3:1 SHEET: 2 OF 3 REV: A |

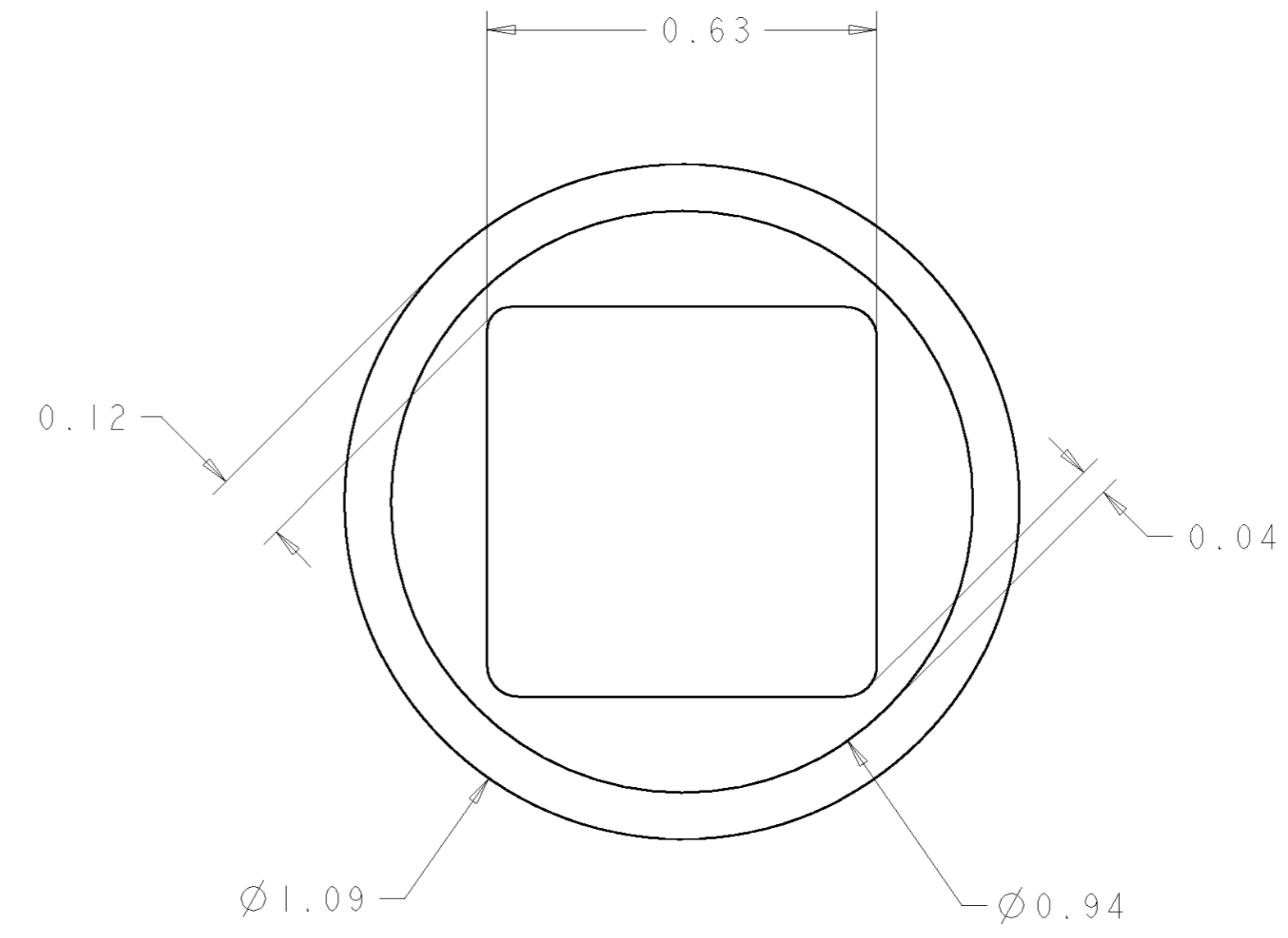
ELCON **FLATPAQ**

THIS DRAWING IS UNPUBLISHED. RELEASED FOR PUBLICATION 20
 © COPYRIGHT 20 BY TYCO ELECTRONICS CORPORATION. ALL RIGHTS RESERVED.

| LOC | DIST | REVISIONS | | | |
|-----|------|-------------|-------------|-----|------|
| P | LTR | DESCRIPTION | DATE | DWN | APVD |
| GP | 00 | - | SEE SHEET 1 | - | - |
| | | | | | |
| | | | | | |



6. SOLDER PIN DETAIL
SCALE 10:1



△ SOLDER TERMINATION AREA
 SCALE 40:1
 RECOMMENDED PRINTED CIRCUIT SOLDER HOLE
 FINISHED HOLE: $\varnothing 1.02$ [.040] $\pm .08$ [.003]
 DRILLED HOLE: $\varnothing 1.15$ [.0453] $\pm .013$ [.0005]
 COPPER PLATE: .025 [.0010] MIN.
 TIN PLATE: .008 [.0003] MIN. (PER SURFACE)

ELCON FLATPAQ

| | | | |
|---|---|--|---|
| <small>THIS DRAWING IS A CONTROLLED DOCUMENT FOR TYCO ELECTRONICS CORPORATION IT IS SUBJECT TO CHANGE AND THE CONTROLLING ENGINEERING ORGANIZATION SHOULD BE CONTACTED FOR THE LATEST REVISION.</small> | | DWN R. GRZYBOWSKI CHK P. DAMATO APVD S. FLICKINGER | Tyco Electronics Harrisburg, PA 17105-3608 |
| DIMENSIONS: mm | TOLERANCES UNLESS OTHERWISE SPECIFIED: 0 PLC $\pm .5$ 1 PLC $\pm .5$ 2 PLC $\pm .25$ 3 PLC $\pm .5$ 4 PLC $\pm .5$ ANGLES ± 3 FINISH | NAME PIN CONNECTOR, RIGHT ANGLE SOLDER TAILS FLATPAQ PRODUCT SPEC - APPLICATION SPEC - WEIGHT - CUSTOMER DRAWING | SIZE A2 CAGE CODE 00779 DRAWING NO C-1926606 RESTRICTED TO - SCALE 3:1 SHEET 3 OF 3 REV A |